

MODEL 8000A HO-PAC

OPERATING AND MAINTENANCE INSTRUCTIONS

P/N 101475

1. **WHERE TO INSTALL:** The Ho-Pac requires a hydraulic oil flow of 12 gallons per minute at a pressure in the range of 1500 to 2500 lbs. per square inch. An excavator with at least 16 gallons per minute pump capacity is required so as to have extra capacity to move the back hoe while the Ho-Pac is running.
2. **INSTALLATION:** Due to the fact that a wide variety of excavators are suitable for Ho-Pac installation, it is important that the exact installation instruction diagram be used. The diagram must be for the same make and model of both tractor and back hoe on which the Ho-Pac is installed. This is especially important not only because of ease of installation, but also to be certain the Ho-Pac will function properly. Allied Steel & Tractor Products, Inc., will not be responsible for any damage resulting from improper installation.
3. **INSTALLATION KITS:** Kits are available for most excavators. Each 'installation kit' includes the necessary parts for the complete installation on a specified excavator. Extra kits can be purchased so that one Ho-Pac may be utilized on several excavators.
4. **IMPORTANT - FIRST DAY:** Nuts, Part No. 8007, are tightened at the factory, but can frequently become loose during the first hours of operation. These should be retightened each hour until they no longer loosen, and then they should be checked twice daily. Use a 1-7/16" wrench.
5. **LUBRICATION:** Bearings, Part No. 8015, have been lubricated; no additional lubrication is necessary to start. For maximum life bearings should be regreased at a minimum of each 200 hours of operation. Bearings can be greased through lube holes on sides of Ho-Pac. Caution should be exercised when using a high-pressure, high-volume gun. Grease equivalent to the following grades should be used: Mobil Oil - 'Mobilux' #1, Imperial Oil Ltd. - 'Andole 280', Standard Oil Co. (Indiana) - 'Amolith #1', Phillips Petroleum Co. - 'Philube L #1 Grease', Sun Oil Company - 'Sunoco 844-X', Atlantic Refining Co. - 'Atlantic 62', Master Lubricants Co. - 'Lubriko M-3 Spec', New York & New Jersey Lubricant Co. - 'F-925'.
6. **GENERAL PRECAUTIONS:** While operating a Ho-Pac the operator may stretch a spring, (Part No. 8061) which can result in spring breakage. To correct the problem we have gone to a higher quality material for our springs. However, we still suggest the contractors keep a spring in their stock to eliminate possibilities of down time.

Older Ho-Pacs have a bearing (Part No. 8015) that is preset and locked in position with Allen plugs. In rare cases these Allen plugs have loosened, causing the bearings to fail. The new 8000A Ho-Pac has a pre-set and permanently fixed bearing that eliminates the possibility of failure due to Allen plug loosening: Only bearings purchased from Allied can be used for replacement bearings.

The end plate of the hydraulic motor is mounted with two special length nylok cap screws (Part No. 8055). When the unit is disassembled it must have new cap screws before it can be reassembled. Use of commercially purchased cap screws or re-use of the original cap screws will result in damage to the complete motor.

The hydraulic motor used in the actuator assembly is a uni-directional motor. The return port seal is designed for low pressure applications. Back pressure should be kept below 150 psi, at all times. Excessive Back Pressure (USUALLY CAUSED BY CONNECTING OR DISCONNECTING HOSES WHILE TRACTOR ENGINE IS RUNNING) will cause the seal to fail and will break the snap ring groove lip off the motor end casting, Part No. 8215.

SOLD AND SERVICED BY:

MANUFACTURED BY:



STEEL & TRACTOR PRODUCTS, INC.
5800 HARPER ROAD, SOLON, OHIO 44139
(216) 248-2600 Cable: ALTRAC Telex: 980192

7. **DISASSEMBLY:** Disconnect hoses at Ho-Pac and remove rubber grommets (Part 8097) at cover. Remove fittings which extend out beyond cover. Remove four (4) elastic stop nuts (Part 8007) at base. The upper portion of the Ho-Pac may now be raised, exposing all other parts.
8. **OPERATION:** The 'flow divider' valve (on-off valve supplied as part of installation kit) is designed to divert the proper amount of hydraulic fluid to the Ho-Pac. Turn on valve to start. Apply down pressure on the Ho-Pac with the back hoe for best results. The Ho-Pac can be skidded fore and aft or side to side and does not have to be stopped when lifted and moved. If raised for prolonged periods, the Ho-Pac should be stopped. Operating techniques vary with application and the compaction lift will vary with soils, moisture and compaction requirements.

MANUFACTURER'S STANDARD WARRANTY

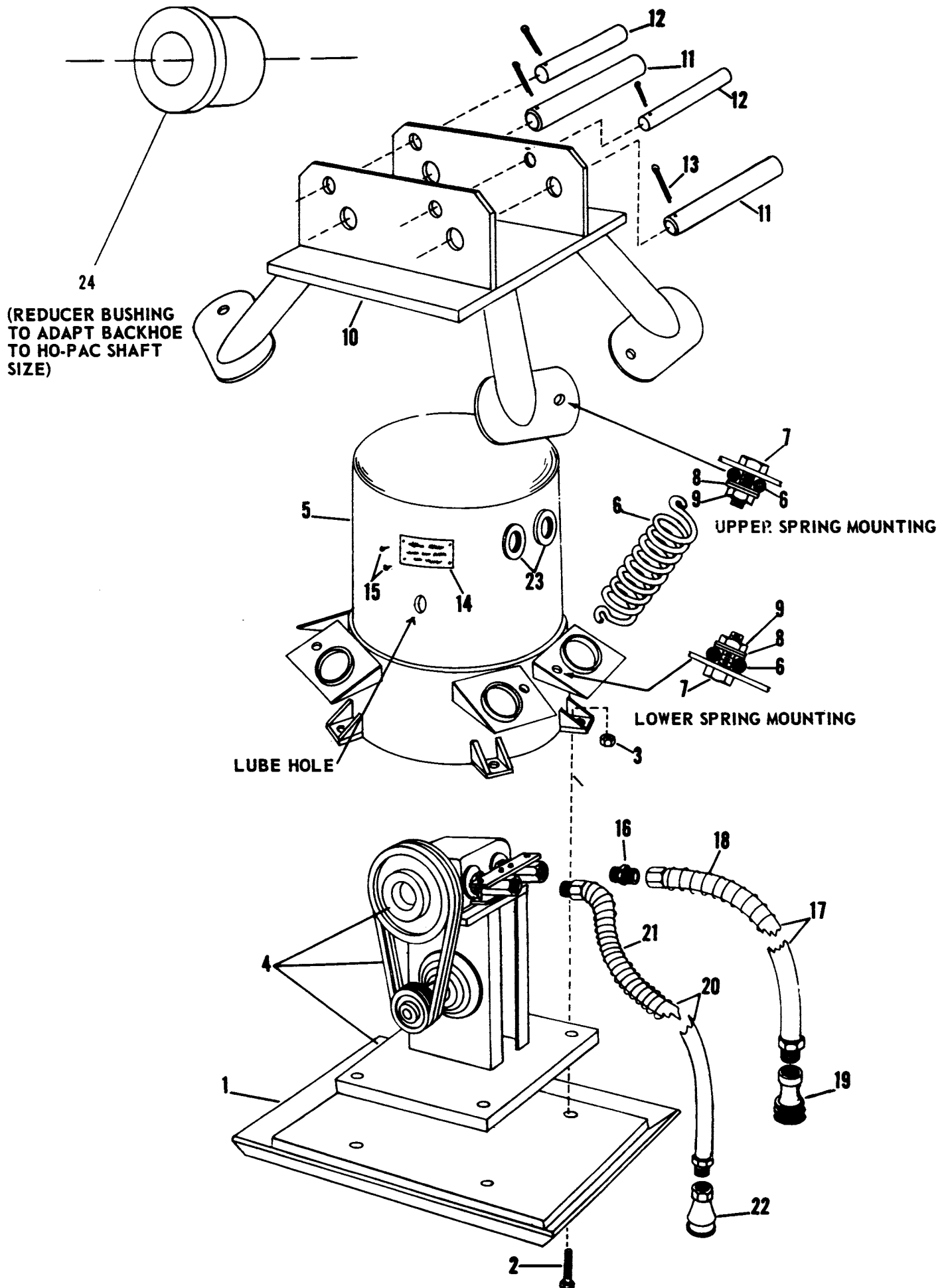
ALLIED warrants its products to be well made, durable, and of good material and if within ninety (90) days from the date of delivery of such new products to the actual user, (but in no case more than one year from date of shipment from the factory), any part shall fail by reason of defective material or poor workmanship the Manufacturer will furnish a part free of charge F.O.B. factory where manufactured provided that the defective part of sufficient evidence of defect in the part be delivered to it at its factory in the United States where manufactured (or other place designated by ALLIED), transportation prepaid. Such parts or evidence must show clearly that the failure was due to poor workmanship or defective material and not to the negligence or improper use by the operator.

Breakage or damage resulting from installation or operation not in accordance with Manufacturer's published installation and operating instructions are not covered by warranty.

Fig. 1 Parts List

ITEM NO.	PART NO.	DESCRIPTION	QUANTITY	WEIGHT* EACH
1	8001	Base Plate Assembly	1	275
2	8006	Cap Screws (Base Mounting Included with 8001)	4	+
3	8007	Elastic Stop Nuts (For Base Mounting)	4	+
4	8100	Assembly	1	210
5	8060	Housing	1	88
6	8061	Springs	4	16
7	8062	Cap Screws	8	+
8	8064	Washers	16	+
9	8063	Stop Nuts	8	+
10	8065	Top Mounting Flange	1	127
11	8066	Shaft 1-1/2	2	7
12	8067	Shaft 1-1/4	2	5
13	3629	Cotter Pin	8	+
14	8098	Name Plate	2	+
15	8099	Rivet	8	+
16	8105	Adaptor to Hose	1	+
17	8078	Hose Assembly - Double Wire Braid	1	18
18	8114	Spring Guard on Hose (Included with 8078)	1	+
19	8071	Quick Coupled Socket	1	2
20	8079	Hose Assembly - Single Wire Braid	1	12
21	8115	Spring Guard on Hose (Included with 8079)	1	+
22	8077	Quick Coupled Socket	1	1
23	8097	Grommet	2	+
24	8102	2" to 1-1/2" Bushing	4	+
	8103	1-5/8" to 1-1/4" Bushing	4	+
	8104	1-3/4" to 1-1/2" Bushing	4	+

*All Weights Approximate.
+ Indicates Weight Less Than 1 lb.



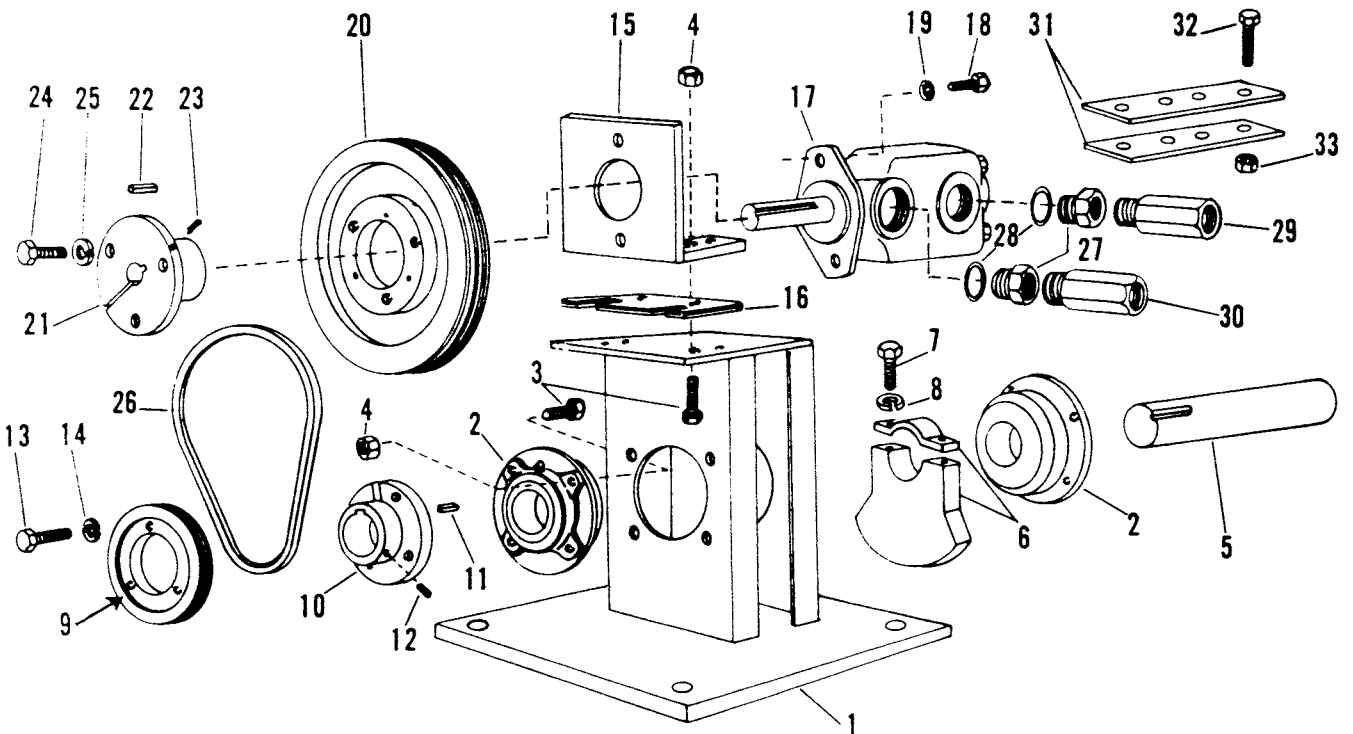


Fig. 2-Model 8100 HO-PAC ACTUATOR Parts List

Fig. 2 Parts List

• Items used to make No. 8299 Seal Kit Hydraulic Motor

Hydraulic Motor Parts Stocked By Allied

ITEM NO.	PART NO.	DESCRIPTION	QUANTITY	WT.* EACH
1	8005	Motor and Bearing Mounting Frame	1	102
2	8015	Bearings	2	10
3	8016	Cap Screws	12	+
4	•8017	Elastic Stop Nuts	12 •6	+
5	8025	Shaft	1	9
6	8040	Eccentric with Cap Screws and Lockwashers	1	19
7	8041	Cap Screws (Part of P/N 8040)	2	+
8	3610	Lockwashers (Part of P/N 8040)	2	+
9	8030	Sheave	1	3
10	8033	Bushing, with Key and Screws	1	1
11	8037	Key (Included with 8033)	1	+
12	8038	Set Screw (Included with 8033)	1	+
13	8036	Cap Screws (Included with 8033)	3	+
14	8186	Lockwashers	3	+
15	8054	Motor Support	1	6
16	8053	Shims	2 to 4	+
17	8050	Motor (Parts Listed Below)	1	18
	8002	Motor Center Casting, Rotor, Blades, 'O' Rings	1	5
	8003	Bearing, L.P. (Seal) End	1	+
	8004	Bearing, H.P. End	1	+
	8112	Seal	1	+
	8184	Key For Shaft	1	+
	8205	Shaft	1	1
	•8215	Casting, Seal End	1	8
	•8270	Snap Ring	1	+
	•8271	Seal and 2 'O' Rings	1	+
18	•8055	Cap Screws	2	+
19	6038	Lockwashers	2	+
20	8031	Sheave	1	11
21	8034	Bushing, with Key and Screws	1	4
22	8184	Key (Included with 8034)	1	+
23	8038	Set Screw (Included with 8034)	1	+
24	8035	Cap Screw (Included with 8034)	3	+
25	6751	Lockwashers	3	+
26	8032	Belts	3	+
27	8106	Adaptor to Motor	2	1
28	8187	'O' Ring (Included with 8106)	2	+
29	8107	Extension Fitting to 1/2" Pipe	1	1
30	8108	Extension Fitting to 3/4" Pipe	1	1
31	8109	Straps	2	1
32	3641	Bolts	4	+
33	8110	Elastic Stop Nuts	4	+

* All Weights Approx.
+ Indicates Weight Less Than 1 lb.