

Hydraulic Impact Breaker

Model
AR180D



Parts Manual **AR-SERIES**

Keep this manual in a convenient location so that it is easily accessible for future reference. Contact your Allied Dealer or the Allied Customer Service Department for replacement manuals. Inquiries regarding the content of this manual must include effective date shown on inside cover.





Contact Information

Allied Construction Products, LLC
3900 Kelley Ave
Cleveland, Ohio 44114

E-mail: sales@alliedcp.com
Tel: 216-431-2600
Fax: 216-431-2601

Revision History of Document No. PM576462

Allied Construction Products, LLC, reserves the right to change, edit, delete or modify the content of this document, including descriptions, illustrations and specifications without prior notification. Specifications are based on published information at the time of publication. Go to www.alliedcp.com for product or document updates

Summary of Changes For PM576462

<u>Date</u>	<u>Page</u>	<u>Description of Change</u>
Feb 23, 2013	---	1 st Release of Parts Manual 576462

Table of Contents

<u>Section</u>	<u>Page</u>
Contact Information	i
Document Revisions	i
Table of Contents	ii
1.0 Introduction & Scope	1
1.1 Purpose of This Manual.....	1
1.2 About This Manual.....	
1.3 How to Order Replacement Manuals.....	1
1.4 Related Publications.....	1
2.0 Equipment Identification	3
2.1 Serial Number Location.....	3
2.2 Equipment Identification Tag.....	3
2.3 Owner's Record of the Equipment.....	3
3.0 Safety & Information Labels	4
4.0 Identification of Spare Parts	7
4.1 Housing Box and Components.....	7
4.2 Breaker Assembly.....	9
4.3 Hydraulic Connections.....	15
5.0 Tool Selection Guide	16
5.1 Standard Tools.....	16
5.2 Specialty Tools.....	16
5.3 Chisel Paste.....	17
6.0 Service Kits and Tools	18
6.1 Tune-Up Kit.....	18
6.2 Seal Set.....	19
6.3 Accumulator N2 Gas Charge Tool Kit...	21
7.0 Mounting to the Carrier	22
7.1 Mounting Brackets.....	22
8.0 How To Order Spare Parts	23

<u>List of Figures</u>	<u>Page</u>
2-1 Equipment ID Tag Location.....	3
2-2 Equipment Identification Tag.....	3
3-1 thru 3-14 Safety & Information Labels.....	4
3-15 Location of Labels on Equipment.....	6
4-1 Housing Box & Components.....	7
4-2 Breaker Assembly.....	9
4-3 Hose Routing To Excavator – Typical....	15
4-4 Hydraulic Connections.....	15
5-1 Standard & Specialty Tools.....	16
5-2 Tool Diameter & Working Length.....	17
6-1 Tune-up Kit.....	18
6-2 Seal Set.....	19
6-3 Accumulator N2 Gas Charge Tool Kit....	21
7-1 Mounting Bracket - Typical	22
7-2 Mounting Connection Plate Family.....	22

1.0 Introduction and Scope

1.1 Purpose of This Manual

The Parts Manual identifies each component of the Allied work tool including safety and information labels. Illustrations shown in the Parts Manual are not intended for use in the repair or service of the breaker.

1.2 About This Manual

This manual is an integral part of this product. Keep it in a convenient location so that it is easily accessible for future reference.

Table 1.1 About This Manual

Document ID. No.	PM576462
Category	Spare Parts
Current Status	See Inside Cover
Product Name:	Mounted Hydraulic Impact Breaker
Series	AR
Applicable Model[s]:	AR1180D
Years of Manufacture:	2013 & above

Verify that the content in Table 1.1 corresponds with the information located on the Equipment's Identification Tag. Material presented in this Manual, including part name, part number, figures, descriptions and remarks, may not be suitable for models that are not listed in Table 1.1.

The content of this publication has been reviewed for accuracy. Allied Construction Products, LLC has endeavored to deliver the highest degree of accuracy possible. However, continuous improvement of our products is an Allied policy. The material in this publication, including descriptions, illustrations and specifications, describes the product at the time of its publication, and may not reflect the product in the future. Changes made to the content of this publication are recorded on the inside cover.

1.3 How To Order Replacement Publications

Replacement manuals can be ordered by contacting your Allied dealer service center. These manuals may also be viewed and downloaded at: www.alliedcp.com

1.4 Related Publications

This document is published solely for information purposes and should not be considered all-inclusive. Requests for further information should be directed to your local Allied dealer or the Allied Customer Service Department.

Allied Construction Products, LLC offers the following publications for the product identified in Table 1.1.

Safety, Operation & Maintenance Manual 575290

Applicable Models: AR-Series 165,175,180D

The Safety, Operation and Maintenance Manual has been prepared to assist the operator and maintenance personnel with the information necessary for the safe and proper use of the Allied work tool.

Content in the Safety, Operation & Maintenance Manual includes:

- Safety Information
- Equipment Serial Number and Model Identification
- Technical Data (Weight & dimensions)
- Basic Guidelines for Installation and Set-up
- Pre-Operation Inspection
- How to Operate the Allied Work Tool
- Maintenance Schedule
- N2 Gas Charging Instructions
- Tool and Guide Bushing – Lubrication, Inspection, Wear Limits and Replacement
- Troubleshooting
- Removal From Carrier, Transporting, Lifting & Storage

Repair Manual 572591

Applicable Models: AR-Series 165,175,180D

The Repair Manual has been prepared to assist the Service Technician with the information necessary for the disassembly & reassembly of the Breaker. Content includes:

- Safety Information
- Disassembly & Reassembly
- Bolt Torque Specifications
- Wear Limits of Parts
- N2 Gas Charging Instructions
- Bushing Replacement

1.0 Introduction and Scope – [cont'd]

1.4 Related Publications – cont'd

AEM Safety Manual for Hydraulic Breakers

The Association of Equipment Manufacturers offers a safety manual designed for operators and maintenance personnel of hydraulic mounted breakers. The manual is available in Spanish, French and English. It is published in an illustrated format of sensible do's and don'ts, featuring typical daily situations on the job site. Content includes safety tips concerning the workplace and equipment, start up and shut down guidelines and special operating and maintenance precautions.

This publication is available by contacting:

Association of Equipment Manufacturers
Toll free 1-866-AEM-0442
E-mail: aem@aem.org
Website: www.aem.org

Ask for FORM CMHB-1004, Hydraulic Mounted Breakers.

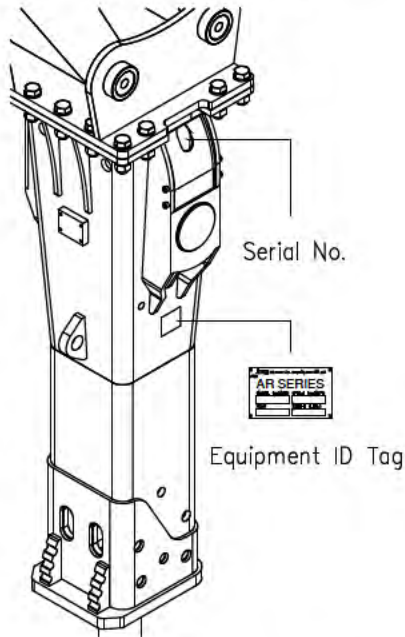
This publication is also available through Allied under part number 953076 (English). To order a copy, contact the Allied Customer Service Department.

2.0 Equipment Identification

2.1 Model and Serial Number Location

Refer to Figure 2-1. The Serial Number assigned to this equipment can be found in the following locations:

1. Located on the Equipment Identification Tag
2. Stamped on the Valve Housing



2.2 Equipment Identification Tag

The Equipment Identification Tag is affixed to the side of the housing.

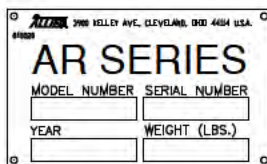


Fig 2-1 Equipment Identification Tag

The ID Tag provides the following information:

- Allied Logo
- Street Address, City, State - USA
- Product name
- Model number
- Serial number
- Year of manufacture
- Weight

Confirm that the information contained on the Tag corresponds with the information provided in Section 1, Table 1.1.

2.3 Owner's Record of the Equipment

Record the Model and Serial Number from the Equipment Identification Tag to the space provided below.

Model AR180D

Part Number: 576363

Serial Number: _____

In Service Date: _____

Product Registration Date _____

Indicate the date in which the Allied equipment was placed into service.

Register this equipment by returning the completed warranty registration form to Allied.


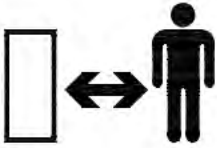

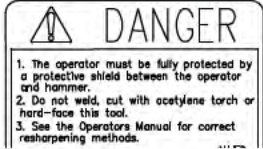



Your local Allied dealer requires this information to better assist you with questions regarding parts, warranty, operation, maintenance, or repair.

3.0 Safety Information & Identification Labels

3.1 Label Description and Location On Equipment

This section reviews the description of the safety and identification labels required for this equipment. Refer to Table 3.1 for part number identification.

Keep all safety labels clean. Words and illustrations must be readable. Before operating this equipment, replace damaged or missing labels.

Figure	Label	Description
3-1		Read The Manual - Safety Alert Symbol with pictogram of open book. Gives notice of the importance of reading the manual(s) for information and/or instructions.
3-2		Keep Clear - Pictogram displays arrow distancing worker safely from recognized hazard which is represented by the box. Breakers, or any other work tool, pose risk of injury to workers if they are not kept at a safe distance. Never operate the work tool with workers inside the work zone.
3-3		Flying Debris Hazard – Alerts personnel to the hazard of fragments becoming projectiles. A protective guard to shield the operator must be installed before operation of the breaker. Personnel are directed to the Operator’s Manual for safety instructions. NOTE: A smaller sized version of this decal is to be displayed in a conspicuous location inside the operator’s cab.
3-4	!! EMBED Word.Picture.8 	Personal Protection Equipment / Tool Re-sharpening – Alerts personnel to provide protective shielding between the operator and breaker. It also warns against welding, cutting, or hard-facing the tool. Personnel are directed to the Operator’s Manual for approved re-sharpening methods.
3-5		Pressurized Nitrogen Accumulator – Alerts personnel to the accumulator, warning of nitrogen gas under pressure. Directs personnel to the Operation and Maintenance Manual for service instructions.
3-6		Maximum Pressure – Alerts personnel the maximum operating pressure.
3-7		Lift Point – Pictogram of hook identifies approved lift points.

3.0 Safety & Identification Labels

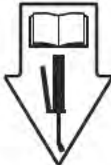
Figure	Label	Description
--------	-------	-------------

3-8



LUBRICATION – Decal provides re-lubrication instructions, including; frequency and precautions that must be observed to ensure breaker is not damaged through unapproved methods.

3-9



Lubrication Point – Decal identifies lubrication points. Refer to the manual(s) for grease type, re-lubrication schedules and procedures. Risk of equipment damage if instructions are not followed.

3-10



Allied "A" with Hard Hat and Background Stripes

3-11



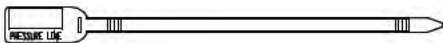
ALLIED LOGO – This decal is the Allied brand identifier and is a registered trademark of Allied Construction Products, LLC.

3-12

AR180D

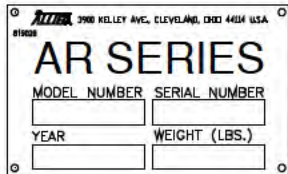
MODEL – Decal identifies the series and specific model.

3-13



OIL SUPPLY LINE "PRESSURE" I.D. TAG – A red colored cable tie marked "PRESSURE LINE" is attached to the supply hose for ease of identification between hoses.

3-14



ID TAG - Contains identifying information about the equipment, including: Manufacturer's name, address, product name, model number, serial number, year of manufacture, and weight.

3.0 Safety & Identification Labels

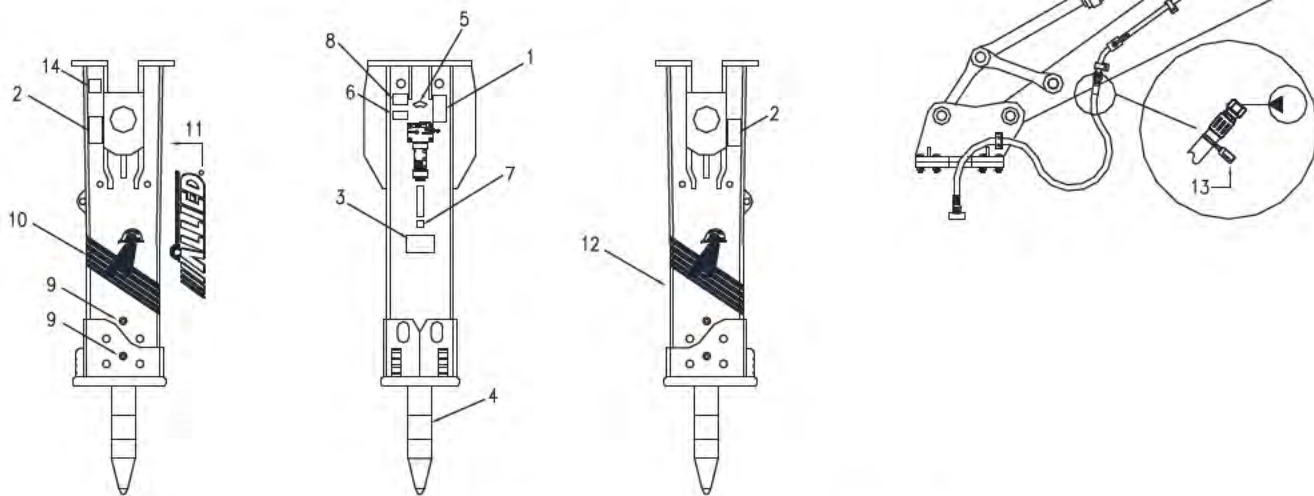


Fig. 3-15 Placement of Labels on Equipment

Table 3.1 Label Set

Item	Part No.	Description	Qty	Remarks / Specifications
---	576416	Label Set	1 (SET)	SET includes 1-11, 13,14
1	676984	Decal – Read Instructions	1	
2	657841	Decal – Stay Clear	2	
3.1	657839	Decal – Danger (Small)	1	Place in conspicuous location inside cab
3.2	657840	Decal – Danger (Large)	1	
4	657838	Decal – Tool Sharpening	1	
5	102756	Decal – Warning Pressurized Accumulator	1	
6	659140	Decal – Max Operating Pressure	1	
7	676982	Decal – Lift Point	1	
8	677334	Decal – Lube w/ Tool In	1	
9	A101725	Lubrication Points	2	
10	576284	Decal – Allied “A” with Hard Hat / Stripes	2	
11	676656	Decal – Allied	1	
12	576417	Decal – Model AR180D	1	
13	818676	Pressure ID Tag	1	Attach to pressure line
14	819026	Equipment ID Plate	1	This item is not included in SET

4.0 Parts Information

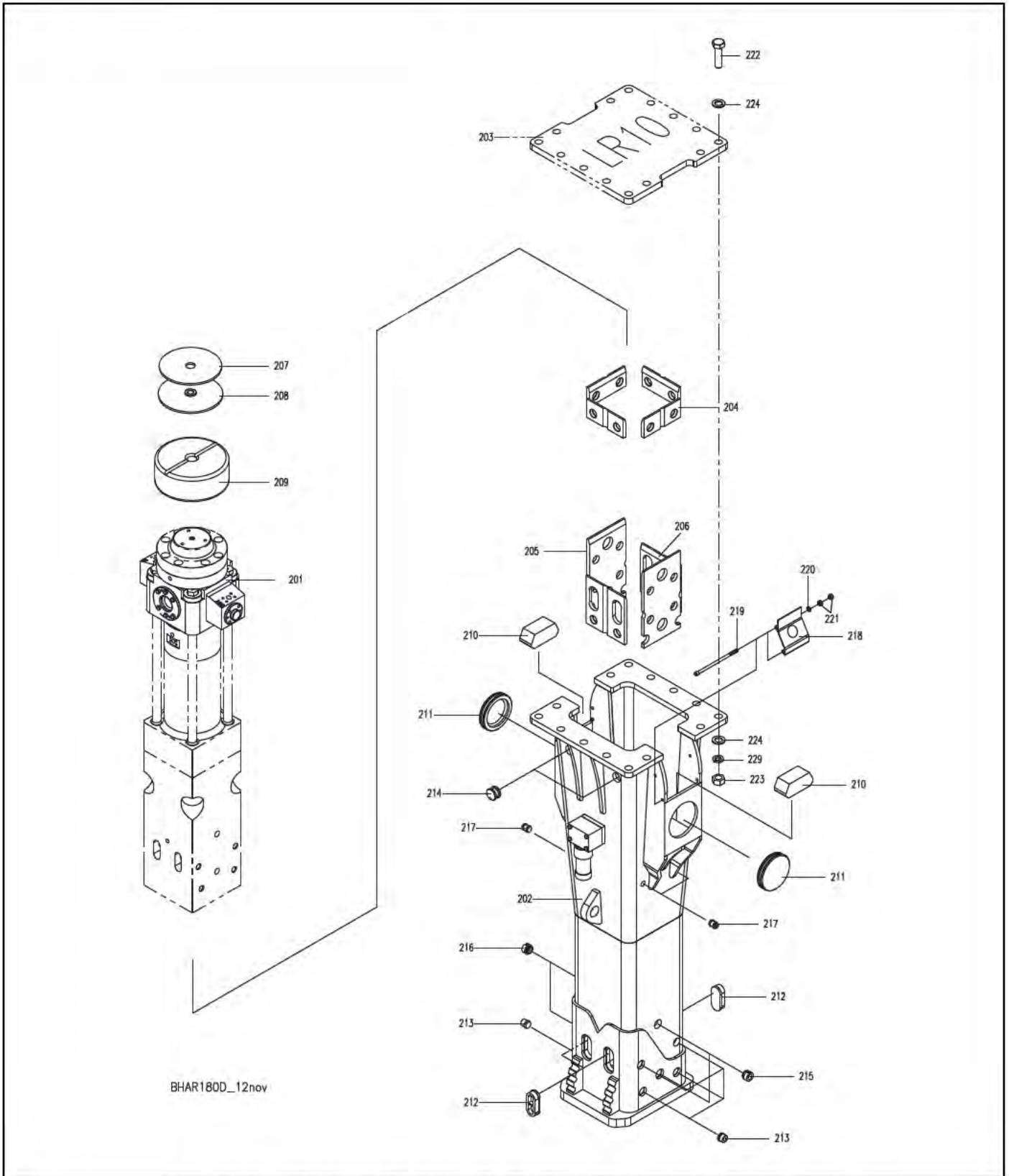


Fig. 4-1 Box Housing & Components (Shown with AutoLube HML Option)

4.0 Parts Information – [cont'd]**Table 4.1 Housing Components (*Standard Configuration)**

Item	Description	Part No.	Qty	Remarks / Specifications
---	Breaker with Housing	576363	1	Mounting bracket item 203 not included. Order separately.
201	Breaker Ass'y	---	---	Refer to Table 4.2
202	Box Housing	B6002200	1	
203	Mounting Bracket	Varies	---	Refer to Section 7
204	Wear Plate	B6000020	4	Upper
205	Wear Plate	B6002030	2	LH / RH Sides
206	Wear Plate	B6002040	2	Front / Rear
207	Top Wear Plate	571511	1	
208	Top Buffer Plate Assembly	571510	1	
209	Top Buffer	572950	1	
210	Side Buffer	572954	2	
211	Port Cover	572955	2	
212	Rubber Plug	572957	4	
213	Rubber Plug	572958	8	
214	Rubber Plug	B400W270	2	
215	Rubber Plug	575360	2	With hole for grease fitting access
216	Rubber Plug	B3200050	2	
217	Rubber Plug	572960	4	
218	Port Cover	572955	2	
219	Socket Head Bolt	SB1420340	4	
220	Washer	575257	4	
221	Hex Nut	607264	8	
222	---	---	---	Items 222, 223,224,229 Refer to Table 7.1

4.0 Parts Information – [cont'd]

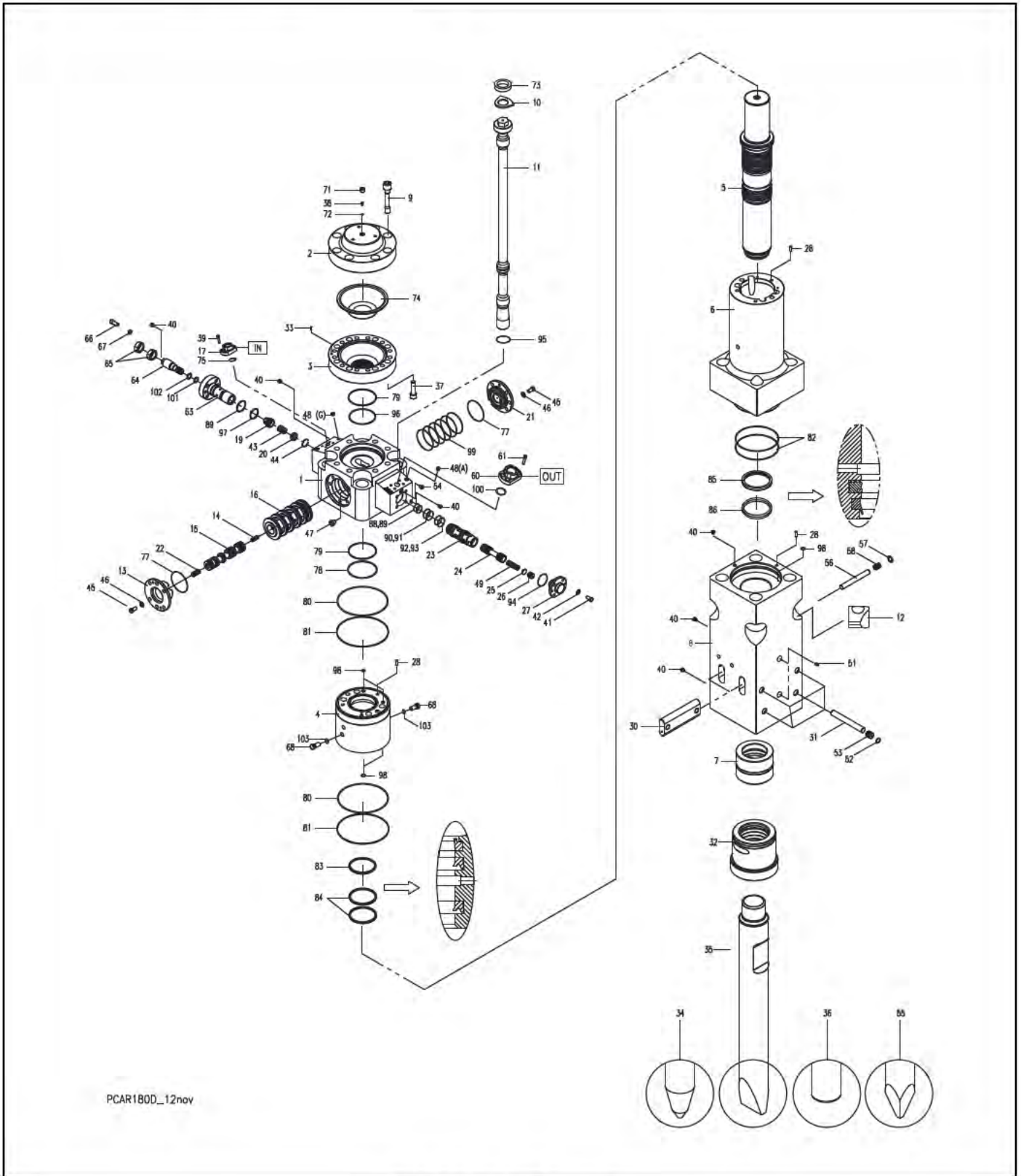
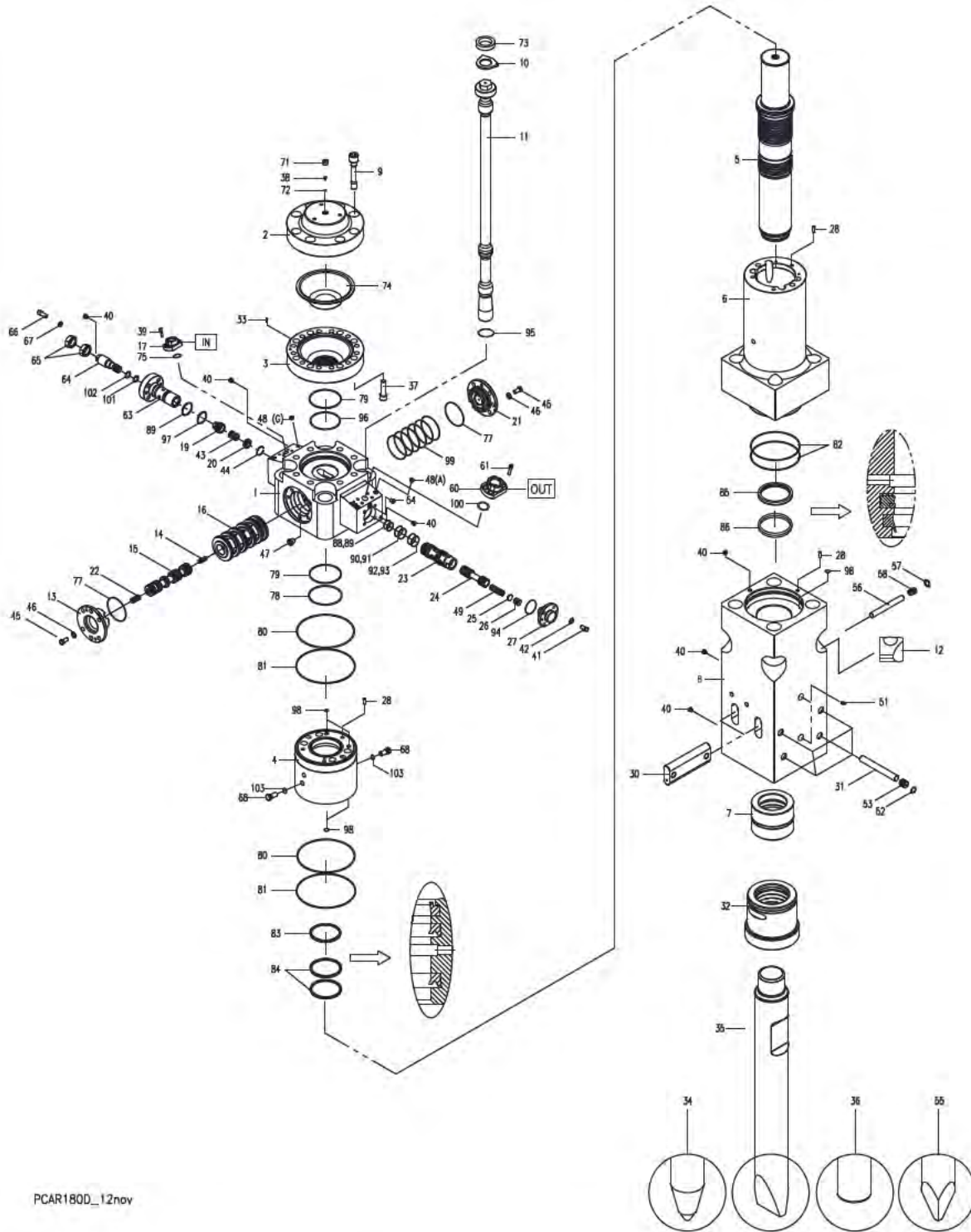


Fig. 4-2 Breaker Assembly

4.0 Parts Information – [cont'd]**Table 4.2 Breaker Assembly**

Item	Description	Part No.	Qty	Remarks / Specifications
1	Valve Housing	B6006900	1	
2	Accumulator Cover	572965	1	
3	Accumulator Bottom	572966	1	
4	Seal Housing	572967	1	
5	Piston	572968	1	
6	Cylinder	573828	1	
7	Upper Bushing	572970	1	
8	Front Head	572971	1	
9	Accumulator Cover Bolt	572972	8	
10	Lock Plate	572973	4	
11	Side Rod	572974	4	
12	Side Rod Nut	572975	4	
13	Valve Cover	572976	1	
14	Spool- Small	571531	1	
15	Main Spool	572977	1	
16	Sleeve	572978	1	
17	Flange Adapter [IN]	572704	1	1-1/4" (20)
18	---	---	---	
19	Check Valve Spool	571535	1	
20	Check Valve Spring Guide	571536	1	
21	Control Valve Cover	573038	1	
22	Spool, Large	571537	1	
23	Oper. Valve Guide	571538	1	
24	Oper. Valve Spool	571539	1	
25	Oper. Valve Spring Guide	571540	1	
26	Oper. Valve Shim Plate	571670	3	
27	Oper. Valve Cover	571671	1	
28	Guide Pin	102545	3	
29	---	---	---	
30	Tool Retainer Bar	572979	2	
31	Bushing Pin	572980	4	
32	Lower Tool Bushing	572981	1	
33	Accumulator Guide Pin	676183	1	

4.0 Parts Information – [cont'd]



PCAR180D_12nov

Fig. 4-2 Breaker Assembly

4.0 Parts Information – [cont'd]

Table 4.2 Breaker Assembly - (cont'd)

Item	Description	Part No.	Qty	Remarks / Specifications
34	Tool Selection	Varies	---	34,35,36,55 Tool Selection Refer to Section 7
37	SH Bolt	572982	12	
38	Gas Fill Bolt	676161	1	
39	Flange Bolt	103002	4	
40	SH Flange Plug	676159	5	
41	HH Bolt	900017	4	
42	LK Washer	571055	4	
43	Spring	571672	1	
44	Lock Ring	571673	1	
45	HH Bolt	90518	12	
46	LK Washer	571674	12	
47	SH Flange Plug	571708	1	
48	SH Flange Plug	102241	2	
49	Spring	B4006890	1	
50	---	---	---	
51	Grease Nipple	816675	2	
52	Snap Ring	572997	4	
53	Rubber Plug	573021	4	
54	SH Flange Plug	676158	1	
55	Tool Selection	Varies	---	34,35,36,55 Tool Selection Refer to Section 7
56	Bushing Pin	573022	1	
57	Snap Ring	571801	1	
58	Rubber Plug	571800	1	
59	---	---	---	
60	Flange Adapter [OUT]	572839	1	1-1/2" (24)
61	SH Bolt	679037	4	
62	---	---	---	
63	Needle Valve Housing	B6006910	1	
64	Needle Valve Spool	B6006920	1	
65	Hex Nut	B6006930	2	
66	SH Bolt	679050	4	
67	NL Washer	90597	4	
68	Breather Vent	B2006870	2	
69	---	---	---	
70	---	---	---	

4.0 Parts Information – [cont'd]**Table 4.2 Breaker Assembly - (cont'd)**

Item	Description	Part No.	Qty	Remarks / Specifications
71	Accumulator Cap	102262	1	
72	Usit Ring	676201	1	
73	Rubber Ring	572983	4	
74	Membrane	572984	1	
75	O-Ring	659275	1	
76	---	---	---	
77	O-Ring	572989	2	
78	O-Ring	572511	1	
79	Back-up Ring	572994	2	
80	O-Ring	572991	2	
81	Back-up Ring	572996	2	
82	O-Ring	572992	2	
83	Wiper	572703	1	
84	U-Packing	572702	2	
85	Seal	573825	1	
86	Wiper	573824	1	
87	O-Ring	572993	1	
88	Back-up Ring	101788	1	
89	O-Ring	100109	2	
90	O-Ring	676203	1	
91	Back-up Ring	676205	1	
92	O-Ring	100107	1	
93	Back-up Ring	571705	1	
94	O-Ring	676248	1	
95	O-Ring	573020	4	
96	O-Ring	572995	1	
97	O-Ring	676251	1	
98	O-Ring	571004	5	
99	O-Ring	572998	6	
100	O-Ring	667224	1	
101	O-Ring	676200	1	
102	Back-up Ring	B3206940	1	
103	O-Ring	676209	2	

4.0 Parts Information – [cont'd]

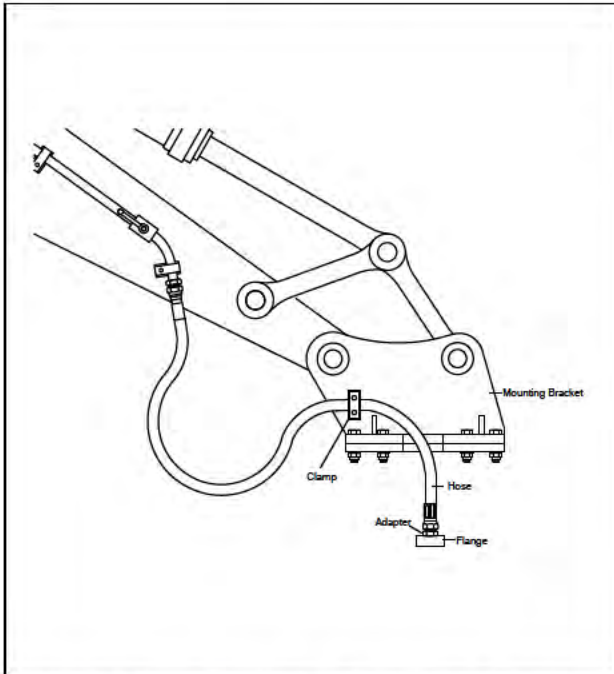


Fig. 4-3 Hose Routing To Excavator - Typical

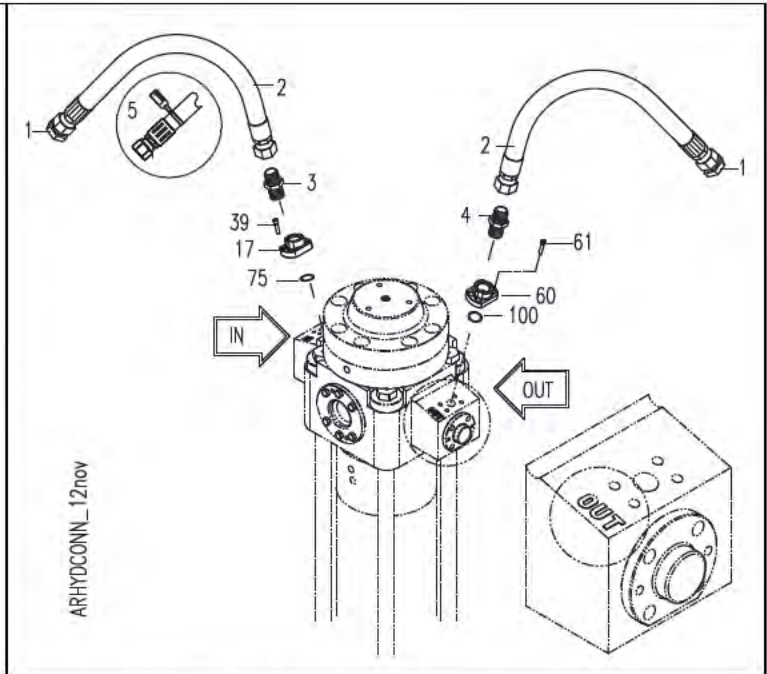


Fig. 4-4 Hydraulic Connections

Table 4.3 Hydraulic Connections (*Standard Configuration Shown)

Item	Description	Part No.	Qty	Remarks / Specifications
1	Plug	815152	2	
2	Hose	678011	2	
3	Adapter	659363	1	#24
4	Adapter	719151	1	#20
5	Pressure [IN] ID Tag	818676	1	
17	Flange Adapter [IN]	572704	1	1-1/4 (20)
39	SH Bolt	103002	4	M14
60	Flange Adapter [OUT]	572839	1	1-1/2 (24)
61	SH Bolt	679037	4	M16
75	O-Ring	659275	1	
100	O-Ring	667224	1	

5.0 Tool Selection Guide

5.1 Standard Tools

The three most commonly used tool points for concrete and rock demolition are the Chisel, Conical and Blunt.

A. Chisel (Wedge – Cross Cut or In-Line) – Suitable applications include soft rock and general demolition of concrete. The tool penetrates into the material, forcing it to separate. Useful when cutting action is required, e.g. benching and trenching.

B. Conical Point - Same applications as the chisel. The conical tool also penetrates, but unlike the chisel, the rounded shape resists twisting that can cause burring in the tool's retainer pin area.

C. Blunt Tool – Designed for impact breaking. The blunt tool is effective in secondary breaking of oversize rock or boulder reduction.

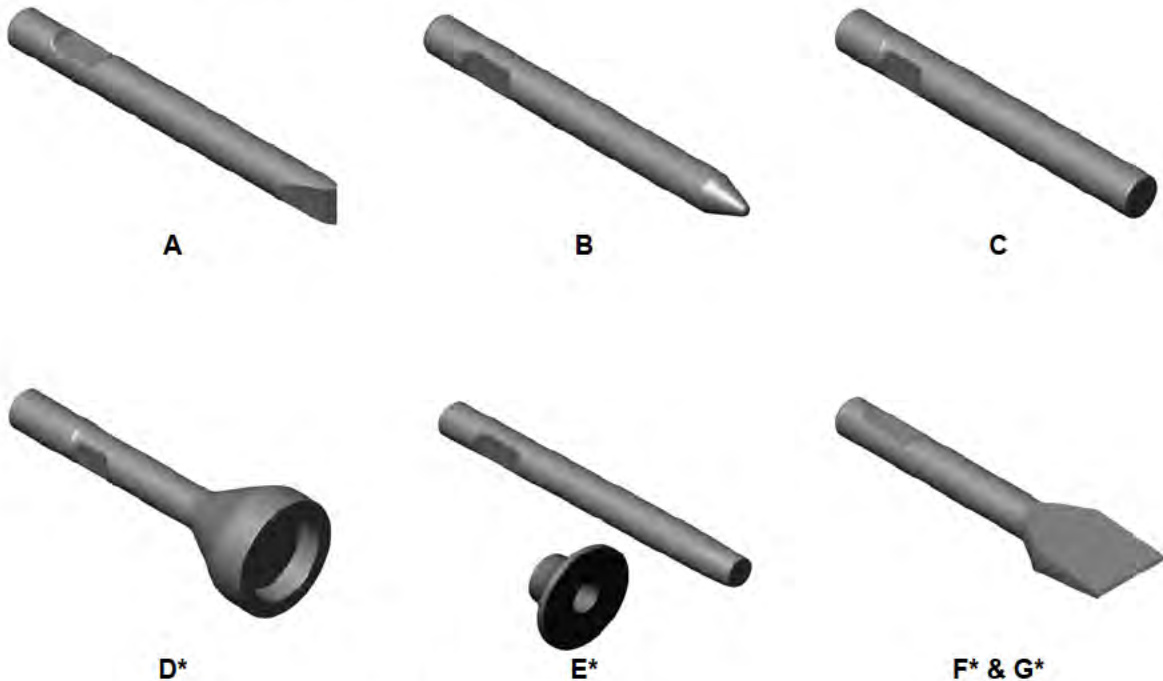


Fig. 5-1 Standard and Specialty Tools
(*Shown are general illustrations. Actual tool design may vary)

5.2 Specialty Tools*

Specialty tools have a specific purpose or function designed into each tool. These tools can extend the versatility of a hammer, thus increasing productivity and eliminating the need for additional equipment.

*Not available for all models.

- D. Post Driver –** For driving posts, pipes, etc.
- E. Tamper –** Designed to compact loose material.
- F. Frost Cutter –** For cutting into frozen ground.
- G. Asphalt Cutter –** Designed to cut seams in asphalt for removal. Useful when removing asphalt to dig a trench. Available in Cross-Cut and In-Line configurations.

5.0 Tool Selection Guide

Table 5.1 Standard & Specialty Tools

Item	Description	Part No.	TD ³⁾ x WL ⁴⁾ in. (mm)	Weight – lbs. (kg)
34-B	Conical Point	572985	7.09 [180] x 37 (940)	670 (306)
35-A ¹	Chisel Cross Cut	572986	7.09 [180] x 37 (940)	670 (306)
---	Chisel In-Line	--- ²	---	---
36-C	Blunt End	572987	7.09 [180] x 33 (838)	640 (290)
55	Pyramid (Not Pictured)	--- ²	7.09 [180] x 37 (940)	670 (306)

- 1) **Standard tool supplied with breaker**
- 2) For availability of tool types not listed, contact Allied
- 3) TD - Tool Diameter
- 4) WL - Working Length

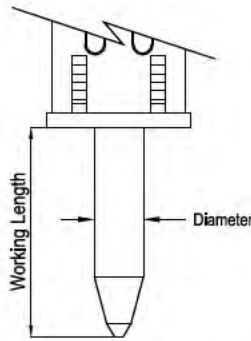


Fig. 5-2 Tool Diameter & Working Length

5.3 Allied Chisel Paste

A key element in improving the wear resistance of the bushing and tool is through the regular use of a high-quality lubricant. Allied Chisel Paste performs exceptionally well in this application because it's a "specialty" lubricant, formulated for use in heavy loaded reciprocating motion and high heat applications. Allied Chisel Paste is a unique blend of liquid and solid lubricants.

Solid lubricants, which include particles of molybdenum, copper and graphite, form a highly effective structure that resists being squeezed out during periods of heavy loading.

"General Purpose" grease typically contains little or no solid lubricants. That means once the liquid lubricant is squeezed out, there is a loss of lubrication between the bushing and tool. The result is metal-to-metal contact, which quickly leads to friction related wear and damage.

Packaging & Ordering Information

Table 5.2 Chisel Paste

Container	Packaging	Part No.
14.5 oz. Cartridge*	Qty x 10	574430
14.5 oz. Cartridge*	Qty x 30	574431
35 lbs. Bucket	Qty x 1	676698
120 lbs. Drum	Qty x 1	679968

*Cartridge fits standard hand-type grease gun

6.0 Service Kits and Tools

6.1 Tune-up Kit

Tune-up kits restore performance and maintain the reliability of the breaker by replacing common wear items. The Tune-up kit includes a full set of seals, accumulator membrane, lower tool bushing and tool retaining pin.

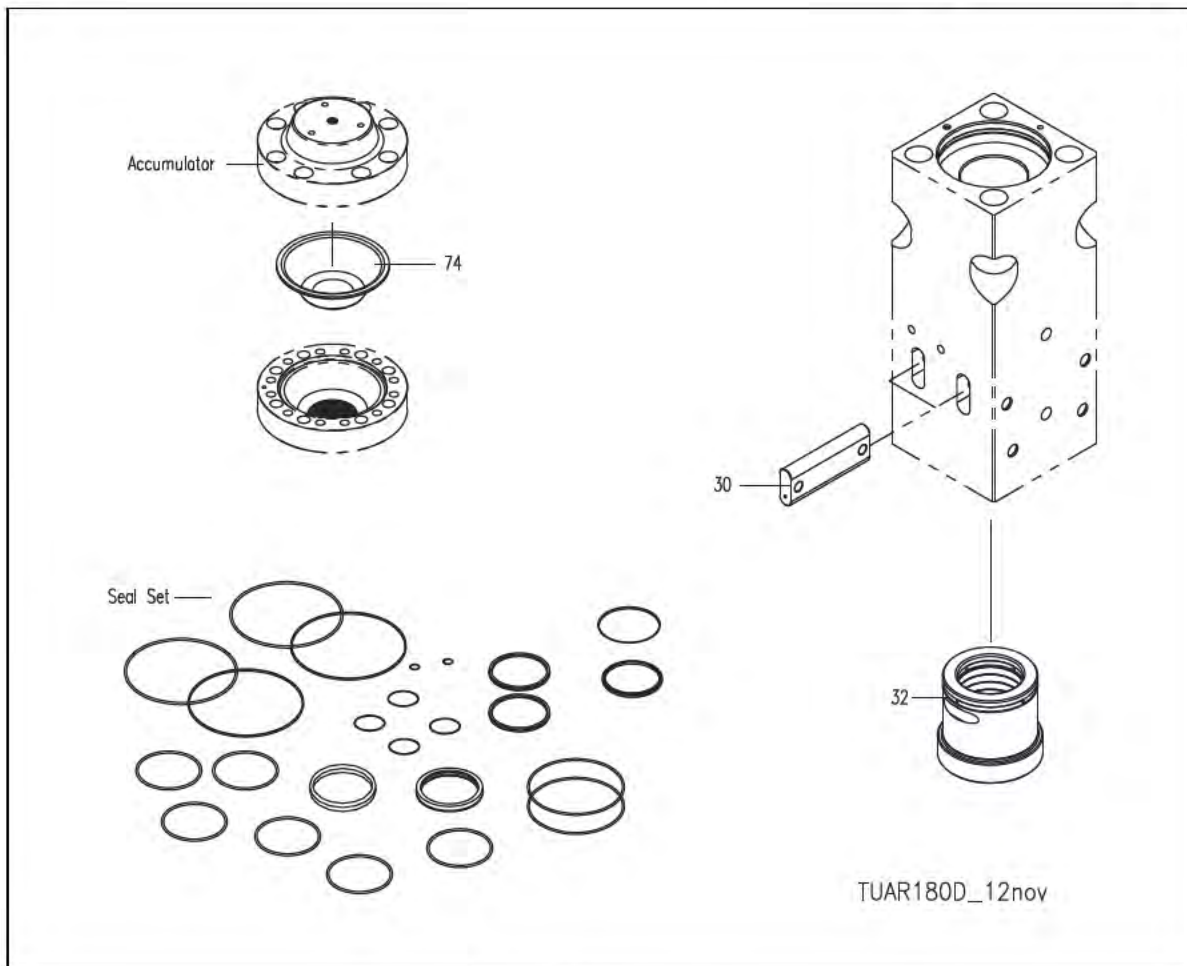


Fig. 6-1 Tune-up Kit

Table 6.1 Tune-up Kit

Item	Description	Part No.	Qty	Remarks / Specifications
---	Tune-up Kit	573830	1-Kit	Kit Includes Seal Set & Items 30,32,74
---	Seal Set	573826	1	
30	Tool Retainer	572979	2	
32	Lower Tool Bushing	572981	1	
74	Accumulator Membrane	572984	1	

IMPORTANT
Lubricant provided in seal set is for side rod threads. DO NOT apply to seals!

6.0 Service Kits and Tools – [cont'd]

Fig. 6-2 Seal Set 573826 - AR180D (Also for AR180C SN-00200&up. Observe seal change notes)

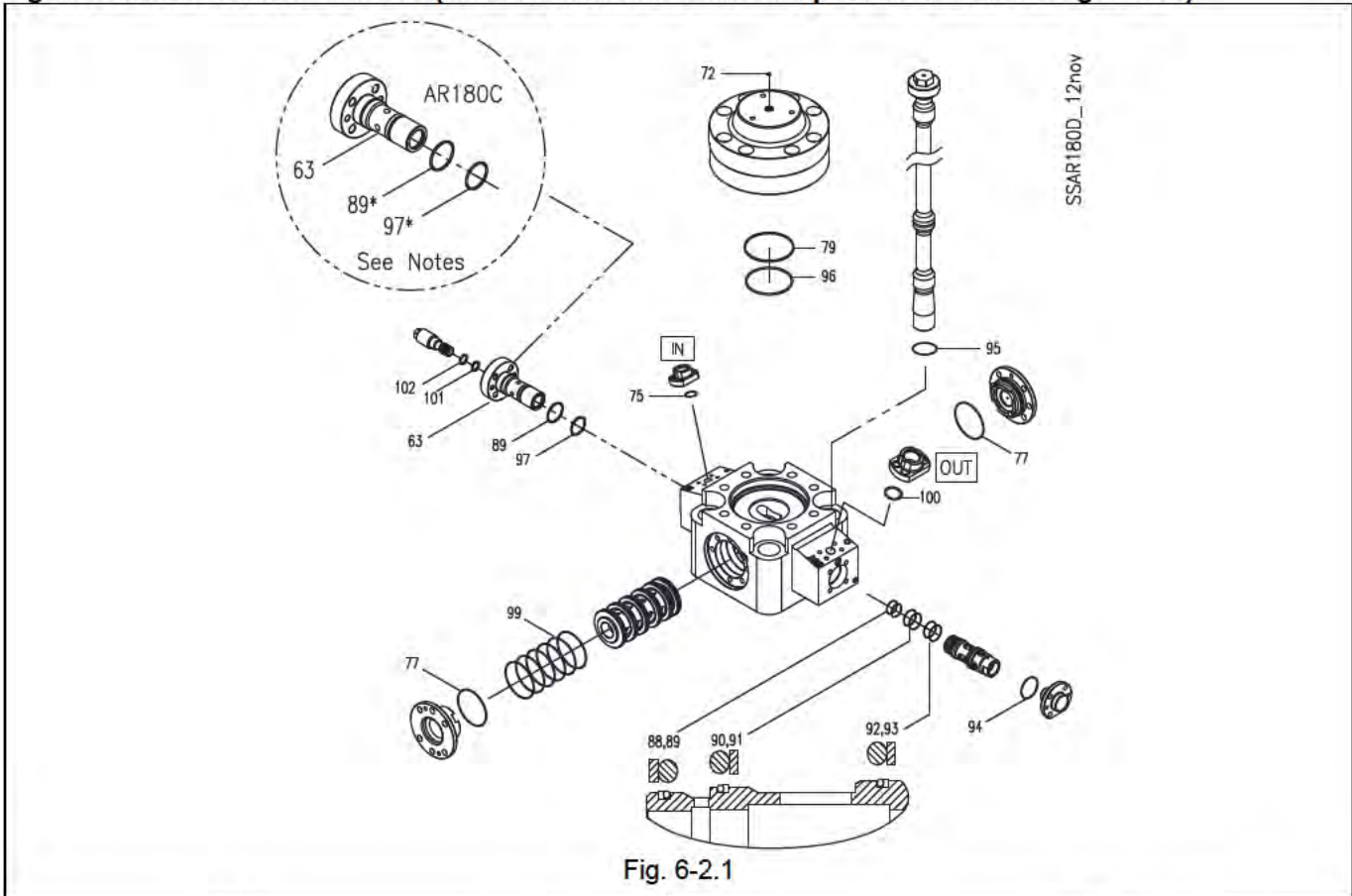


Fig. 6-2.1

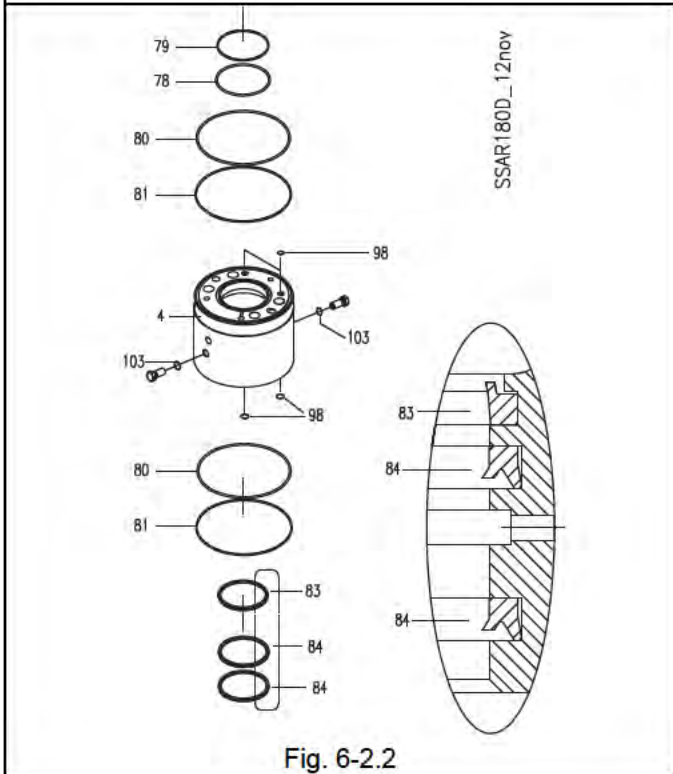


Fig. 6-2.2

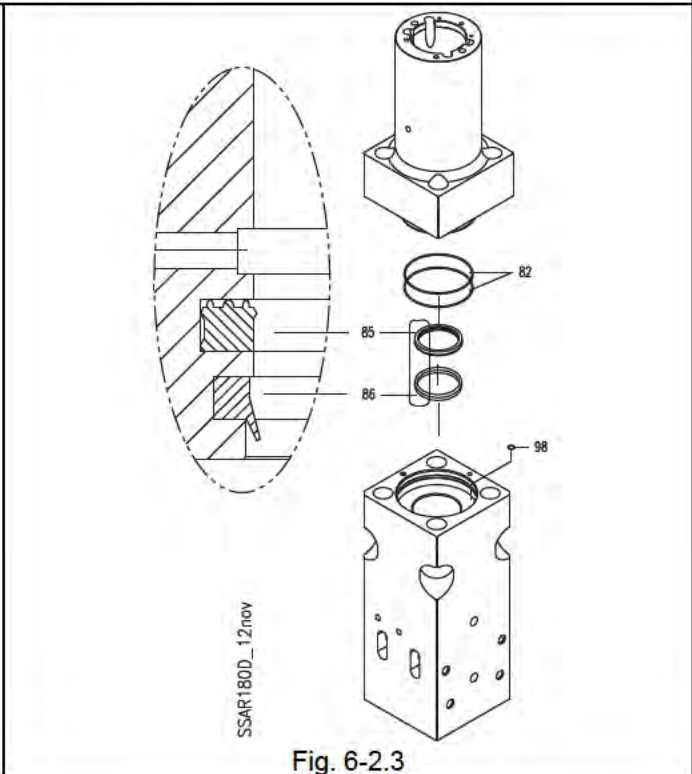


Fig. 6-2.3

6.0 Service Kits and Tools – [cont'd]**Table 6.2 Seal Set - AR180D (Also for AR180C SN-00200&up. Observe seal change notes)**

Pos	Description	Part No.	Qty	Remarks / Specifications
---	Seal Set Complete	573826	1-Set	Set Includes All Items Listed In Table 6.2
72	Usit Ring	676201	1	
75	O-Ring	659275	1	
77	O-Ring	572989	2	
78	O-Ring	572511	1	
79	Back-up Ring	572994	2	
80	O-Ring	572991	2	
81	Back-up Ring	572996	2	
82	O-Ring	572992	2	
83	Wiper	572703	1	
84	U-Packing	572702	2	
85	Seal	573825	1	
86	Wiper	573824	1	
87	O-Ring	572993	1	
88	Back-up Ring	101788	1	
89	O-Ring	100109	2	
89*	O-Ring	571700	1	AR180C Only at seal position item 63.
90	O-Ring	676203	1	
91	Back-up Ring	676205	1	
92	O-Ring	100107	1	
93	Back-up Ring	571705	1	
94	O-Ring	676248	1	
95	O-Ring	573020	4	
96	O-Ring	572995	1	
97	O-Ring	676251	1	
97*	O-Ring	572734	1	AR180C Only at seal position item 63.
98	O-Ring	571004	5	AR180C Only qty-4 required
99	O-Ring	572998	6	
100	O-Ring	667224	1	
101	O-Ring	676200	1	AR180D Only
102	Back-up Ring	B3206940	1	AR180D Only
103	O-Ring	676209	2	
---	Thread Lube 2 oz.	676927	1	Side Rod Threads -Follow application instructions



Keep seals properly stored in their original, sealed package until ready for use. Refer to Manual 575290 for proper assembly of parts.

6.0 Service Kits and Tools – [cont'd]

6.3 Accumulator N2 Gas Charge Equipment

The accumulator is a self-contained pressure vessel with a flexible membrane dividing the inner chamber. The lower chamber is used to receive, store and discharge pressurized oil. Pressurized gas occupies the upper chamber.

Filling the upper chamber with nitrogen (N2) gas is accomplished with the charging tool (Fig. 6-3) and a commercially available nitrogen bottle. Table 6.3 identifies components of the charge kit.

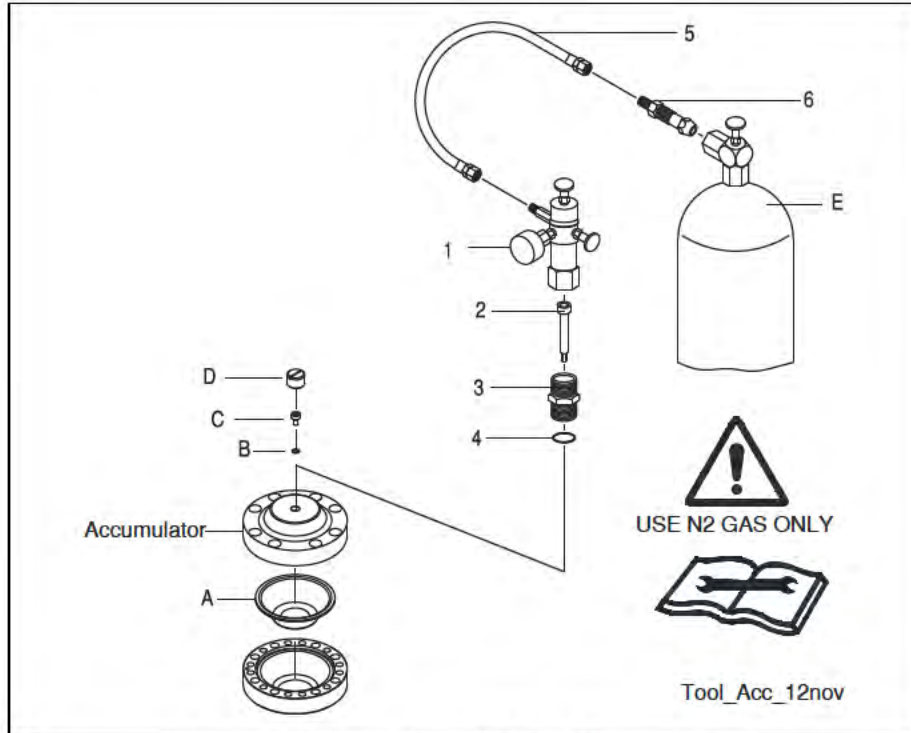




Fig. 6-3 Accumulator N2 Gas Charge Tool

Table 6.3 Accumulator N2 Gas Charge Kit

Item	Description	Part No.	Qty	Remarks / Specifications
---	N2 Gas Charge Kit	570071	1-Kit	Kit includes 1,2,3,4,5,6
1	Charge Valve with Gauge	100527	1	Includes 2-6 (& storage case - not shown)
2	Socket Bolt	40601	1	
3	Adaptor	R101635	1	
4	O-ring	901135	1	
5	Hose	N/A	1	8 Ft. [2.5 M] Not Available Separately
6	Adapter for N2 Gas Bottle	N/A	1	Not Available Separately
E	Nitrogen Gas Bottle	N/A	---	Not Available from Allied (Source Locally)
A,B,C, D,E	Membrane, U-sit ring, Bolt, Cap, N2 Gas Bottle	---	---	A,B,C,D,E Shown only for reference and are not included in charge kit.

  For safe and proper use of this tool, read, understand and follow all instructions given in Repair Manual 102706

7.0 Mounting to the Carrier

7.1 Mounting Brackets

The mounting bracket (sold separately) attaches the Allied Breaker to a carrier. Allied offers an array of mounting brackets to fit virtually any carrier, including those equipped with quick mounting couplers.

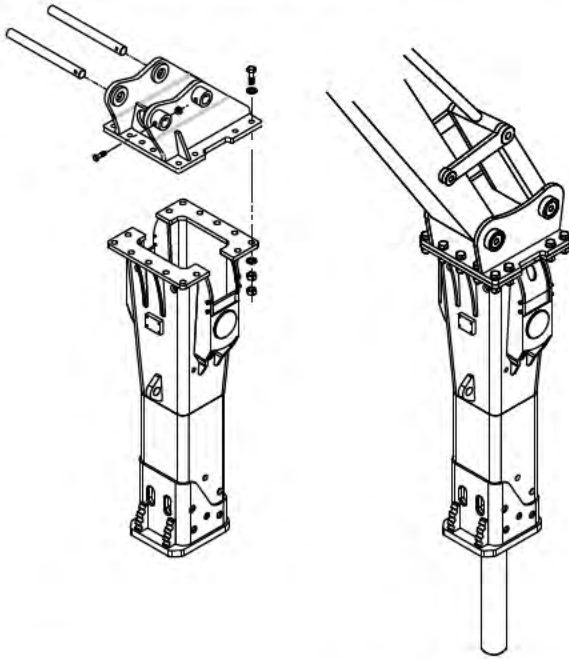


Fig. 7-1 Mounting Bracket Pin-on Type - Typical

When ordering mounting brackets, complete information about the carrier is required including - the make, model, series and serial number. Additional information is required if the carrier is equipped with a quick coupler.

Refer to Figure 7-1. The mounting bracket is bolted to a connection plate located at the top of the box housing. The thickness of the plate, as well as other dimensions, including the quantity, diameter and spacing of the bolt holes will vary between breaker models.

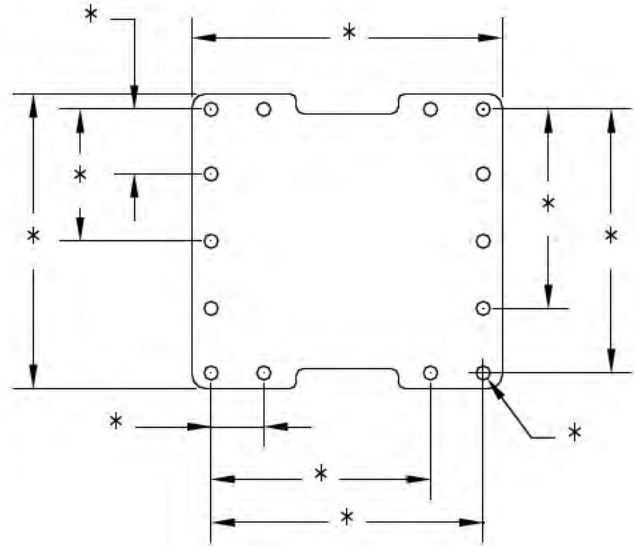


Fig. 7-2 Connection Plate Family

In Table 7.1, AR breaker models are grouped by "Family". The mounting "Family" designates a specific connection plate used in the fabrication process of housing plates, housing box and mounting brackets. Other Allied work tools, including the Ho-Pac® utilize these same mounting Families. Dimensions for the connection plate for each family can be found in the Safety, Operation and Maintenance Manual.

Table 7.1 Mounting Family & Hardware

Family	Breaker Model	Bolt	FL Washer	LK Washer	Nut
BR	AR70C, A75B	90566 (12)	--- (0)	90597 (24)	91000 (12)
SR	AR85B, AR95B	572352 (10)	679422 (20)	571027 (10)	572353 (10)
MR	AR110B, AR110C, AR120B	101765 (14)	901291 (28)	658529 (14)	90507 (14)
LR8	AR130B, AR140B	101765 (14)	901291 (28)	658529 (14)	90507 (14)
LR9	AR160C, AR165, AR170C, AR175	573167 (14)	573029 (28)	573028 (14)	90519 (14)
LR10	AR180C, AR180D	576464 (14)	573029 (28)	573028 (14)	90519 (14)
AR205	AR205				



Refer to the Safety, Operation and Maintenance manual for the proper tightening torque.

8.0 How To Order Spare Parts

Your local Allied dealer requires the Product Name, Model and Serial Number to better assist you with questions regarding parts, warranty, operation, maintenance, or repair. This information should be noted in Section 2.3 of this manual.

Product _____
 Model _____
 Serial No. _____

Please fill out completely

Line	Part Number	Description	Quantity	Price
1				
2				
3				
4				
5				
6				
7				
8				
9				
10				

Your contact information

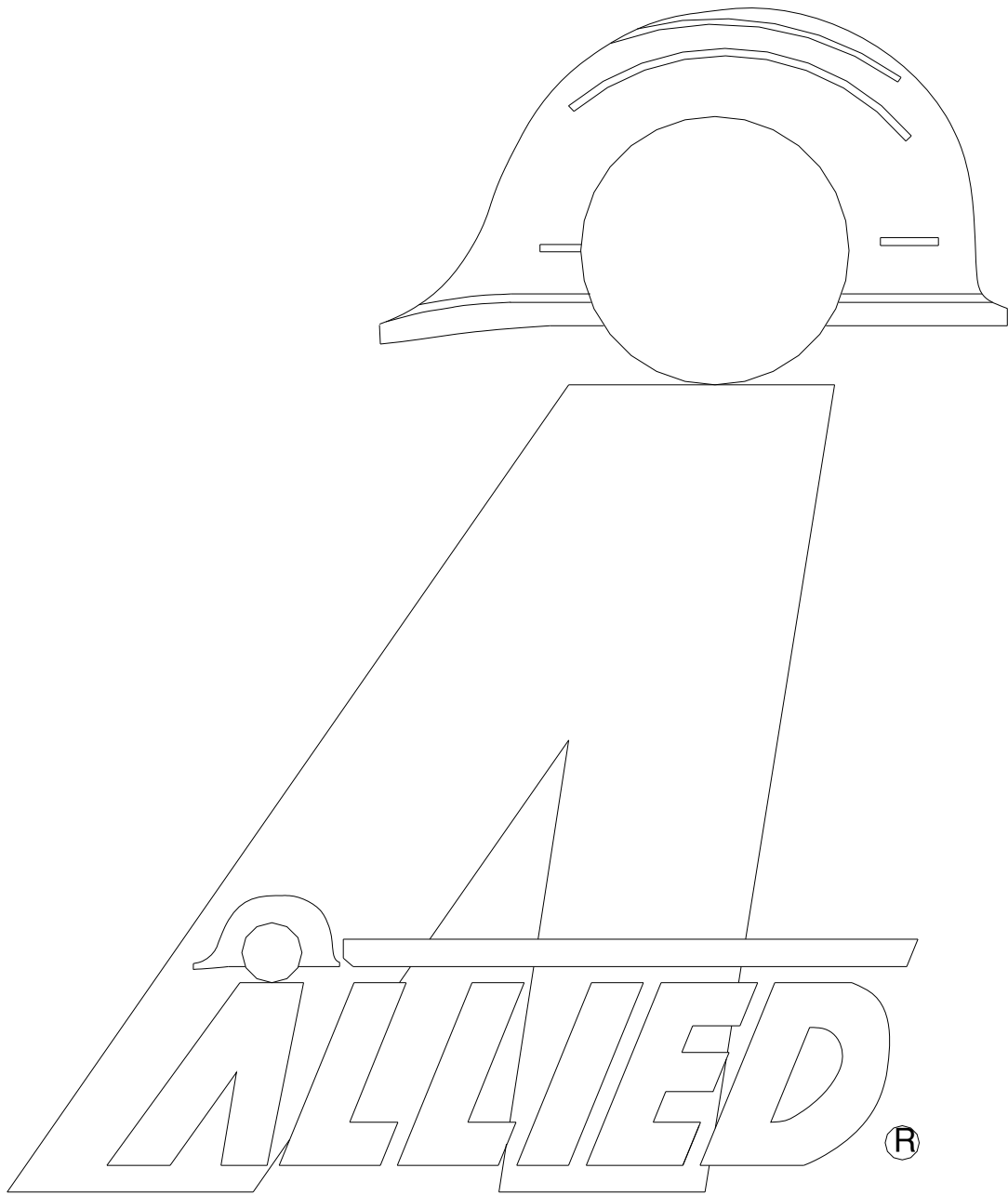
Your Name _____ Company Name _____
 Phone _____ Account Number _____
 Fax _____ Purchase order _____
 Email _____ Shipping carrier _____

*See note below

Billing Address _____ Shipping Address _____

***Note: All backordered parts will be shipped when available via the same method as the original order unless initialed and checked below:**

Initials _____
 Ship complete order only
 Ship available parts and contact customer on disposition of backordered parts
 Other – specify below




ALLIED®
Construction Products, LLC

3900 Kelley Avenue, Cleveland, Ohio 44114
Tel: 216-431-2600 Fax: 216-431-2601
e-mail: Sales@AlliedCP.com
website: <http://www.AlliedCP.com>