

ENG B/03

PARTS MANUAL
PMM18SJENG.B03

HYDRAULIC HAMMER
RAMMER m18
RAMMER m18 JET

Serial No.

140R10-0030-UP

140R12-0030-UP

TABLE OF CONTENTS

1. Modules	4
2. Housing Module.	6
3. Housing Module JET	8
4. Accumulator	10
5. Main valve	11
6. Check valve.	12
7. Pressure control valve	13
8. Stroke selector valve	14
9. Idle selector.	15
10. Body parts.	16
11. Tool module	18
12. Couplings	19
13. Greasing device.	20
14. Seal set	21

GENUINE RAMMER SPARE PARTS

Rammer genuine spare parts are designed and manufactured by using the latest technological knowledge and engineering skills. Rammer spare parts are made of the best available materials with the most advanced manufacturing techniques.

It is important that you use only genuine Rammer spare parts, to ensure easy operation, maintenance and repair of the product. Please note that eventual warranty claims will be handled only if you have used genuine Rammer parts in your Rammer.

LOCATION OF THE SERIAL NUMBER

It's important to make correct reference to the serial number of the product when ordering spare parts. Identification of serial number is the only proper means of maintaining and identifying parts for a specific product. The location of equipment serial number is pointed in "Operation and maintenance" manual.

SPARE PART ORDERS

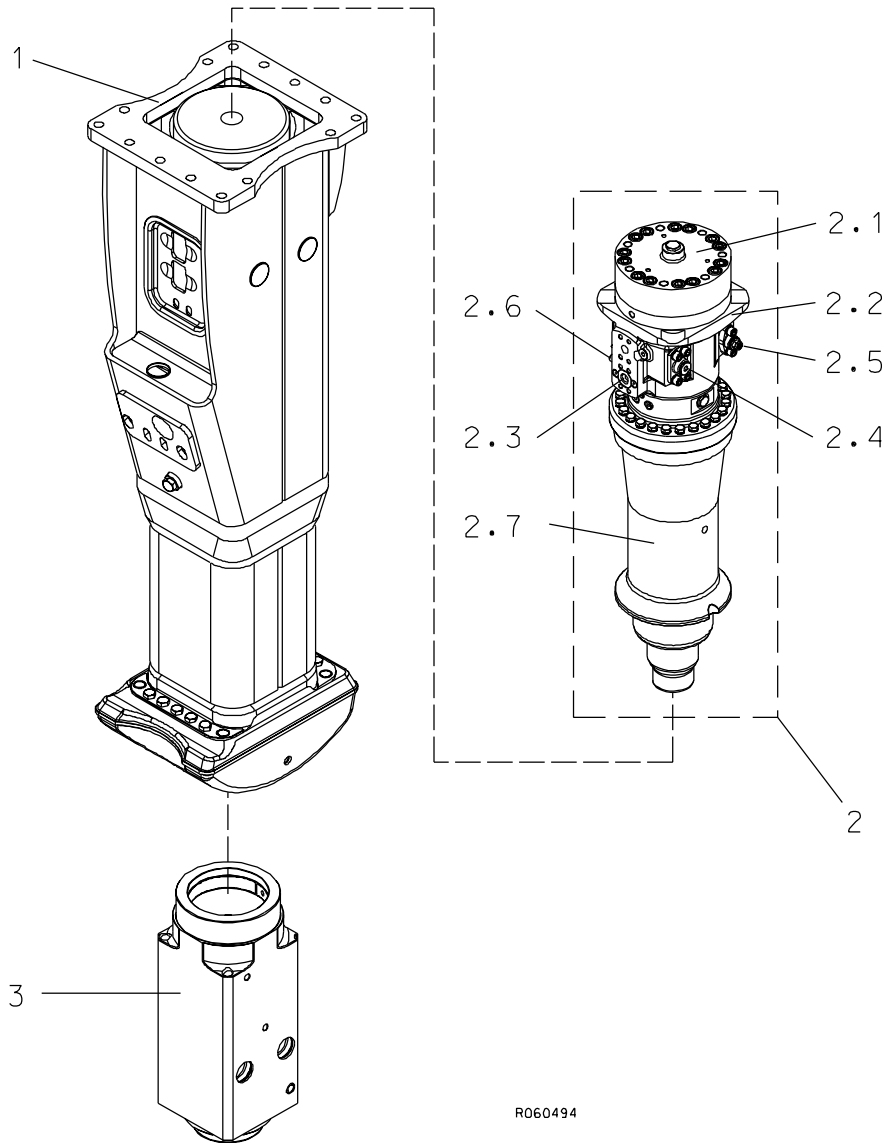
Quick spare part deliveries are secured by exact orders.

Required information:

- Name of customer and contact person
 - Order number (when available)
 - Delivery address
 - Mode of delivery (air mail etc.)
 - Required delivery date
 - Invoicing address
 - Model and serial number of the product
 - Name, number and required amount of spare parts
-

PARTS

1. MODULES

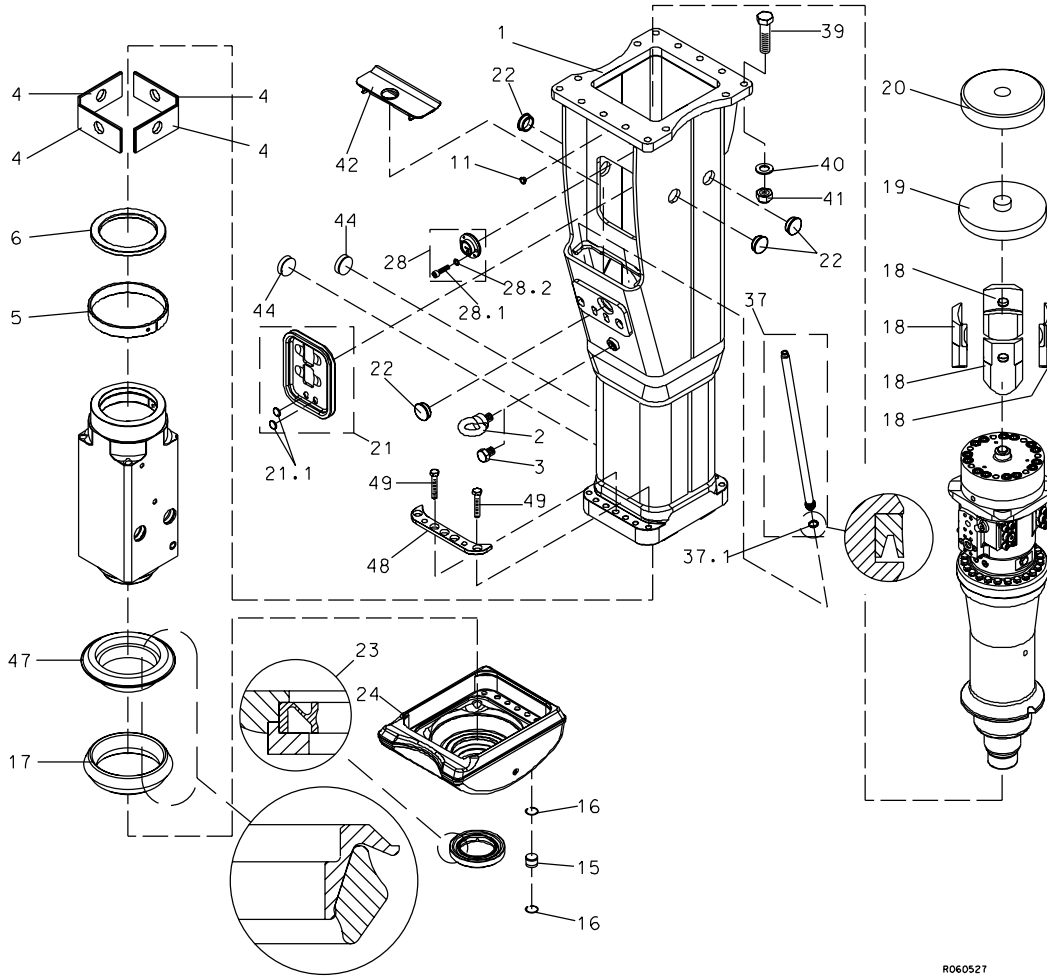


R060494

MODULES

Item	Description	Part no.	Specification	Note	Qty
1	Housing module				1
2	Impact module (incl. parts 2.1-2.7)	153823			1
2.1	Accumulator				1
2.2	Main valve				1
2.3	Check valve				1
2.4	Pressure control valve				1
2.5	Stroke selector valve				1
2.6	Idle selector				1
2.7	Body parts				1
3	Tool module	154788			1

2. HOUSING MODULE

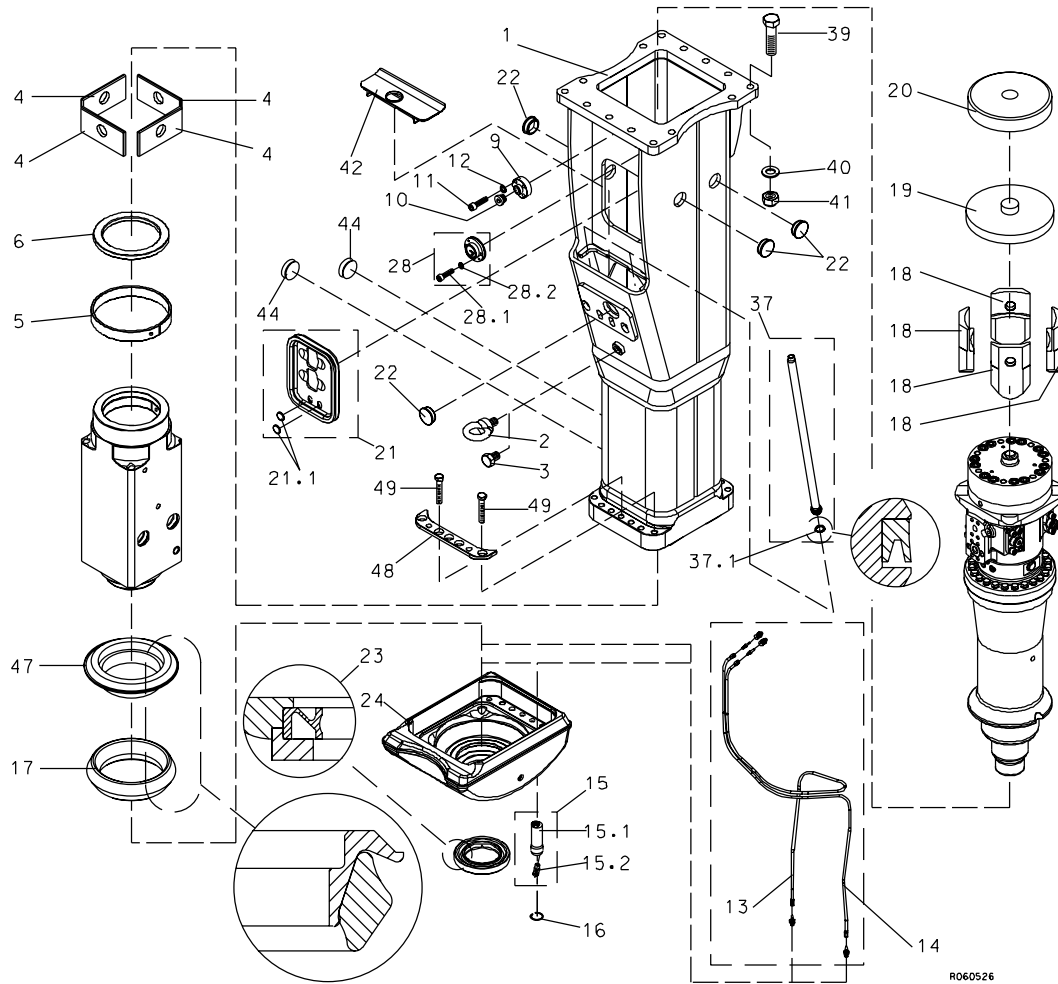


R060527

HOUSING MODULE

Item	Description	Part no.	Specification	Note	Qty
1	Housing (incl. parts 2-5)	153836			1
2	Lifting eye	90705	M30 DIN 580		1
3	Hex. screw	900026	M30x40-8.8 ISO 4017		1
4	Wear plate	153837			4
5	Support ring	153701			1
6	Support ring	153727			1
11	Plug	950328			3
15	Rubber plug	104530			2
16	Spring ring	90302	B30 DIN 7993		4
17	Rubber	152562			1
18	Guide	153850			4
19	Pad	154368			1
20	Buffer	154317			1
21	Plug (incl. part 21.1)	113113			1
21.1	Plug	103875			2
22	Plug	102086			4
23	Seal	153013		*	1
24	Stone claw	153725			1
28	Service indicator (incl. parts 28.1-28.2)	105656			1
28.1	Hex. socket screw	90592	M10x35-8.8 ISO 4762		3
28.2	Lock washer	91037	M10 NORD-LOCK		3
37	Spacer tube (incl. part 37.1)	153773			2
37.1	Seal	951261		*	1
39	Hex. screw	90589	M24x110-12.9 DIN 931		14
40	Washer	90511	25 DIN 6916		14
41	Lock nut	90507	M24-8 DIN 985		14
42	Shield	153071			1
44	Plug	153024			2
47	Spacer	152561			1
48	Shield plate	153738			2
49	Hex. screw	951346	M20x110-8.8 ISO 4014		14
	Label set	151454			1
	*) Are included in seal set				

3. HOUSING MODULE JET



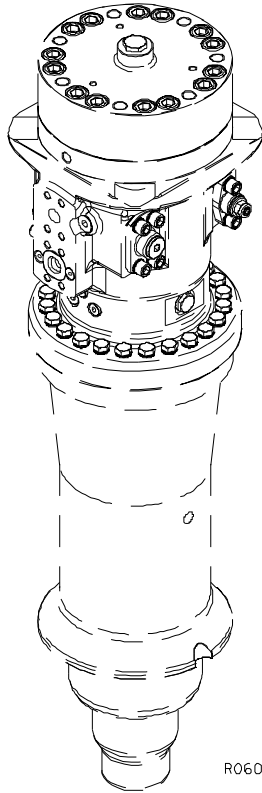
RO60526

Item	Description	Part no.	Specification	Note	Qty
1	Housing (incl. parts 2-5)	153836			1
2	Lifting eye	90705	M30 DIN 580		1
3	Hex. screw	900026	M30x40-8.8 ISO 4017		1
4	Wear plate	153837			4
5	Support ring	153701			1
6	Support ring	153727			1
9	Flange coupling	112608			1
10	Flange plug	90424	R1/2		1
11	Hex. socket screw	901902	M12x45-8.8 ISO 4762		3
12	Lock washer	91012	M12 NORD-LOCK		3
13	Hose assembly	151457			1

HOUSING MODULE JET

Item	Description	Part no.	Specification	Note	Qty
14	Hose assembly	151458			1
15	Jet parts (incl. parts 15.1-15.2)	153923			2
15.1	Body	153924			1
15.2	Nozzle	113226			1
16	Spring ring	90302	B30 DIN 7993		2
17	Rubber	152562			1
18	Guide	153850			4
19	Pad	154368			1
20	Buffer	154317			1
21	Plug (incl. part 21.1)	113113			1
21.1	Plug	103875			2
22	Plug	102086			4
23	Seal	153013			1
24	Stone claw	153725			1
28	Service indicator (incl. parts 28.1-28.2)	105656			1
28.1	Hex. socket screw	90592	M10x35-8.8 ISO 4762		3
28.2	Lock washer	91037	M10 NORD-LOCK		3
37	Spacer tube (incl. part 37.1)	153773			2
37.1	Seal	951261		*	1
39	Hex. screw	90589	M24x110-12.9 DIN 931		14
40	Washer	90511	25 DIN 6916		14
41	Lock nut	90507	M24-8 DIN 985		14
42	Shield	153071			1
44	Plug	153024			2
47	Spacer	152561			1
48	Shield plate	153738			2
49	Hex. screw	951346	M20x110-8.8 ISO 4014		14
	Label set	151454			1
	*) Are included in seal set				

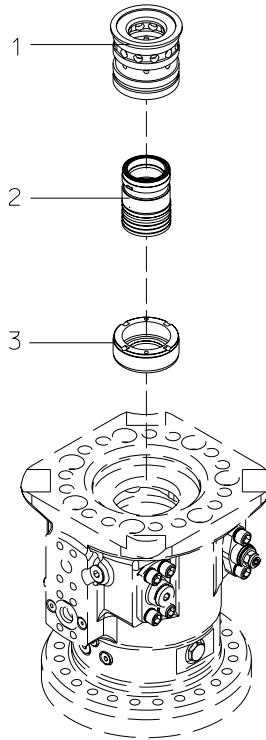
4. ACCUMULATOR



R060478

Item	Description	Part no.	Specification	Note	Qty
1	Accumulator (incl. parts 1.1-1.11)	153794			1
1.1	Accumulator bottom	152461			1
1.2	Accumulator cover	153795			1
1.3	Membrane	30211			1
1.4	Hex. socket screw	951208	M24x140-8.8 ISO 4762		7
1.5	Filling plug	40368			1
1.7	Shield plug	400300			1
1.8	USIT-ring	90056	D9	*	1
1.9	Parallel pin	90304	10x24 ISO 8734		2
1.10	O-ring	910006	D23	*	1
1.11	Lock washer	91038	M24 NORD-LOCK		7
2	Hex. socket screw	951208	M24x140-8.8 ISO 4762		14
	*) Are included in seal set				

5. MAIN VALVE

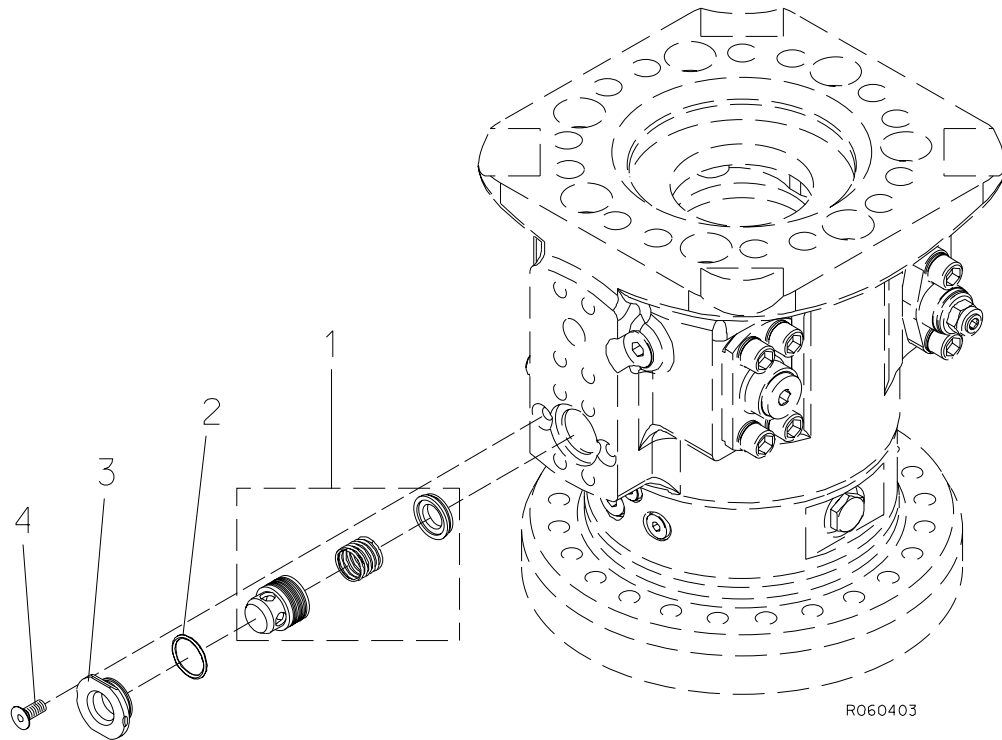


R060458

Item	Description	Part no.	Specification	Note	Qty
1	Slide ring	152675			1
2	Distributor	112585			1
3	Assembly ring	112586			1

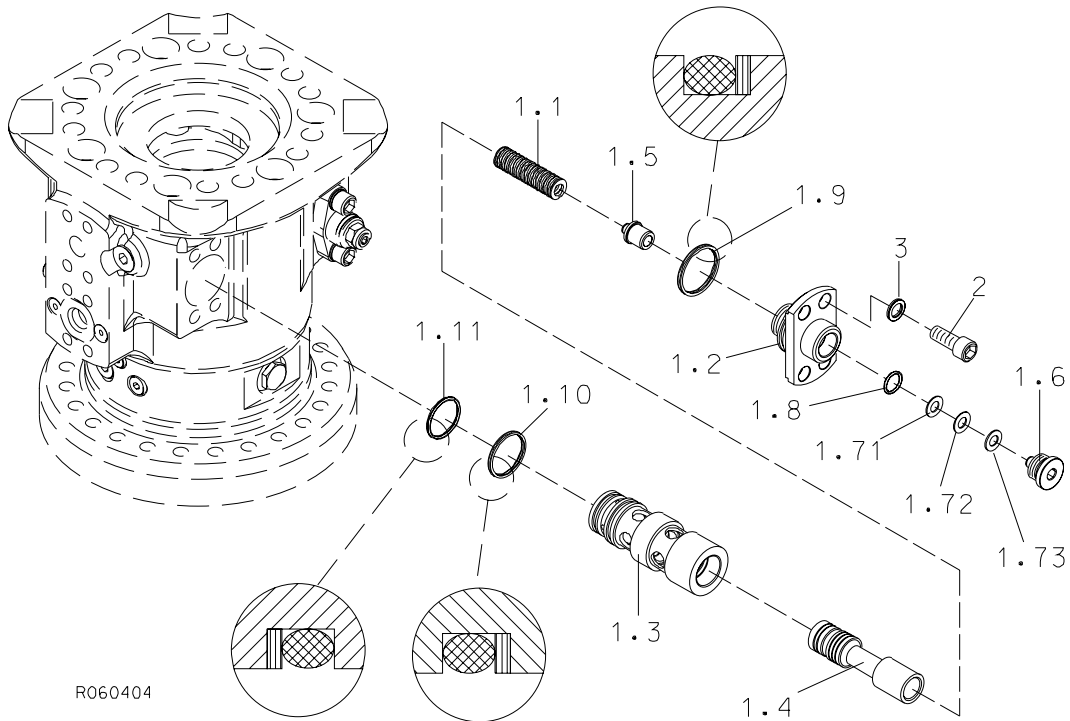
CHECK VALVE

6. CHECK VALVE



Item	Description	Part no.	Specification	Note	Qty
1	Check valve	90432			1
2	O-ring	90004	D32	*	1
3	Bushing	106150			1
4	Hex. socket screw	901286	M10x25-8.8 ISO 10642		2
	*) Are included in seal set				

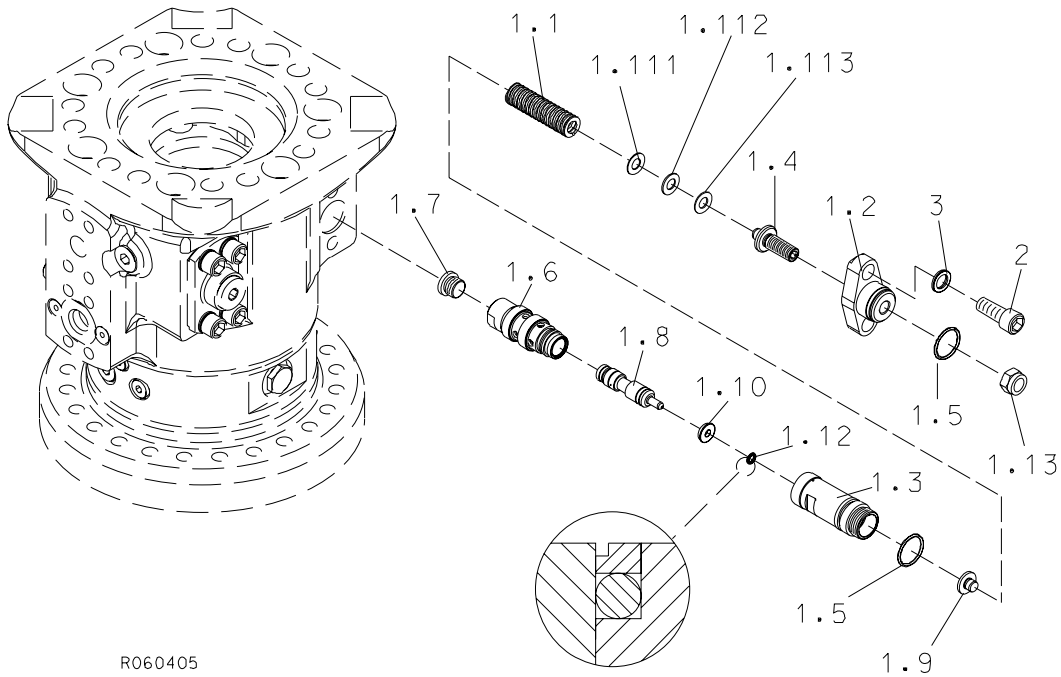
7. PRESSURE CONTROL VALVE



R060404

Item	Description	Part no.	Specification	Note	Qty
1	Pressure control valve (incl. parts 1.1-1.11)	112234			1
1.1	Spring	90104	D21		1
1.2	Cover	111806			1
1.3	Valve housing	111807			1
1.4	Spool	111808			1
1.5	Guide	112510			1
1.6	Plug	112512			1
1.71	Adjustment plate	41793			1
1.72	Adjustment plate	41794			1
1.73	Adjustment plate	42364			1
1.8	O-ring	910018	D21	*	1
1.9	Seal	41374	D55	*	1
1.10	Seal	41375	D50	*	1
1.11	Seal	41376	D45	*	1
2	Hex. socket screw	91100	M16x40-8.8 ISO 4762		4
3	Lock washer	90597	M16 NORD-LOCK		4
	*) Are included in seal set				

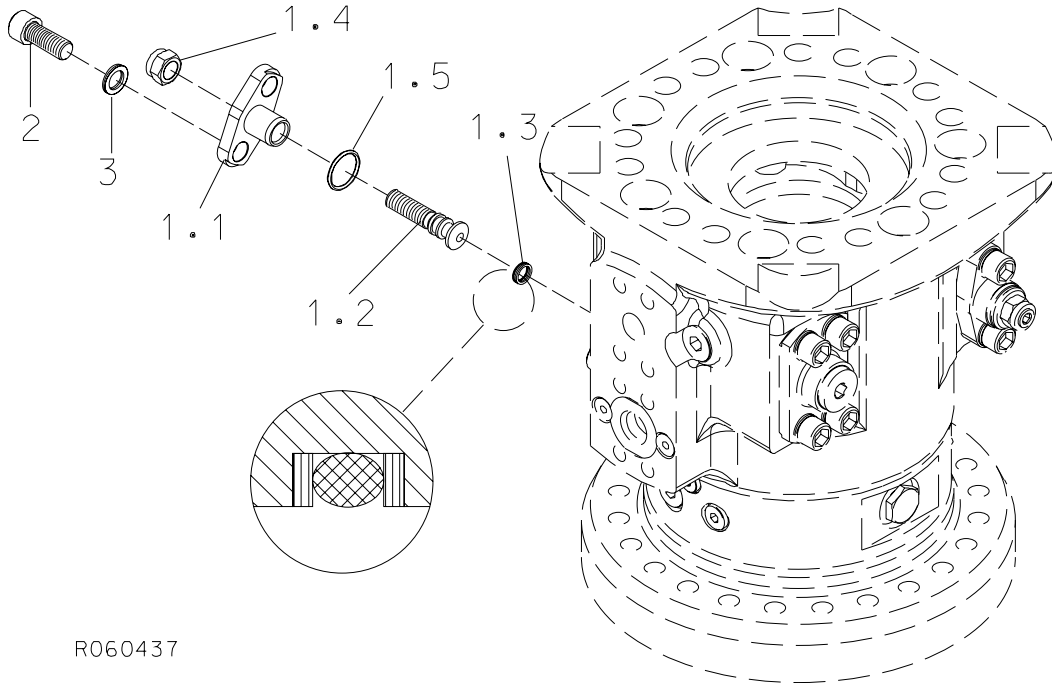
8. STROKE SELECTOR VALVE



R060405

Item	Description	Part no.	Specification	Note	Qty
1	Stroke selector valve (incl. parts 1.1-1.13)	112495			1
1.1	Spring	90104	D21		1
1.2	Cover	111788			1
1.3	Spacer	112494			1
1.4	Adjusting screw	111791			1
1.5	O-ring	90004	D32	*	2
1.6	Valve housing	112496			1
1.7	Flange plug	90424	R1/2		1
1.8	Spool	111822			1
1.9	Guide	111823			1
1.10	Slide ring	112497			1
1.111	Adjustment plate	41793			1
1.112	Adjustment plate	41794			1
1.113	Adjustment plate	42364			1
1.12	Seal	903313		*	1
1.13	Nut	90548	M16-8 ISO 10511		1
2	Hex. socket screw	91100	M16x40-8.8 ISO 4762		2
3	Lock washer	90597	M16 NORD-LOCK		2
	*) Are included in seal set				

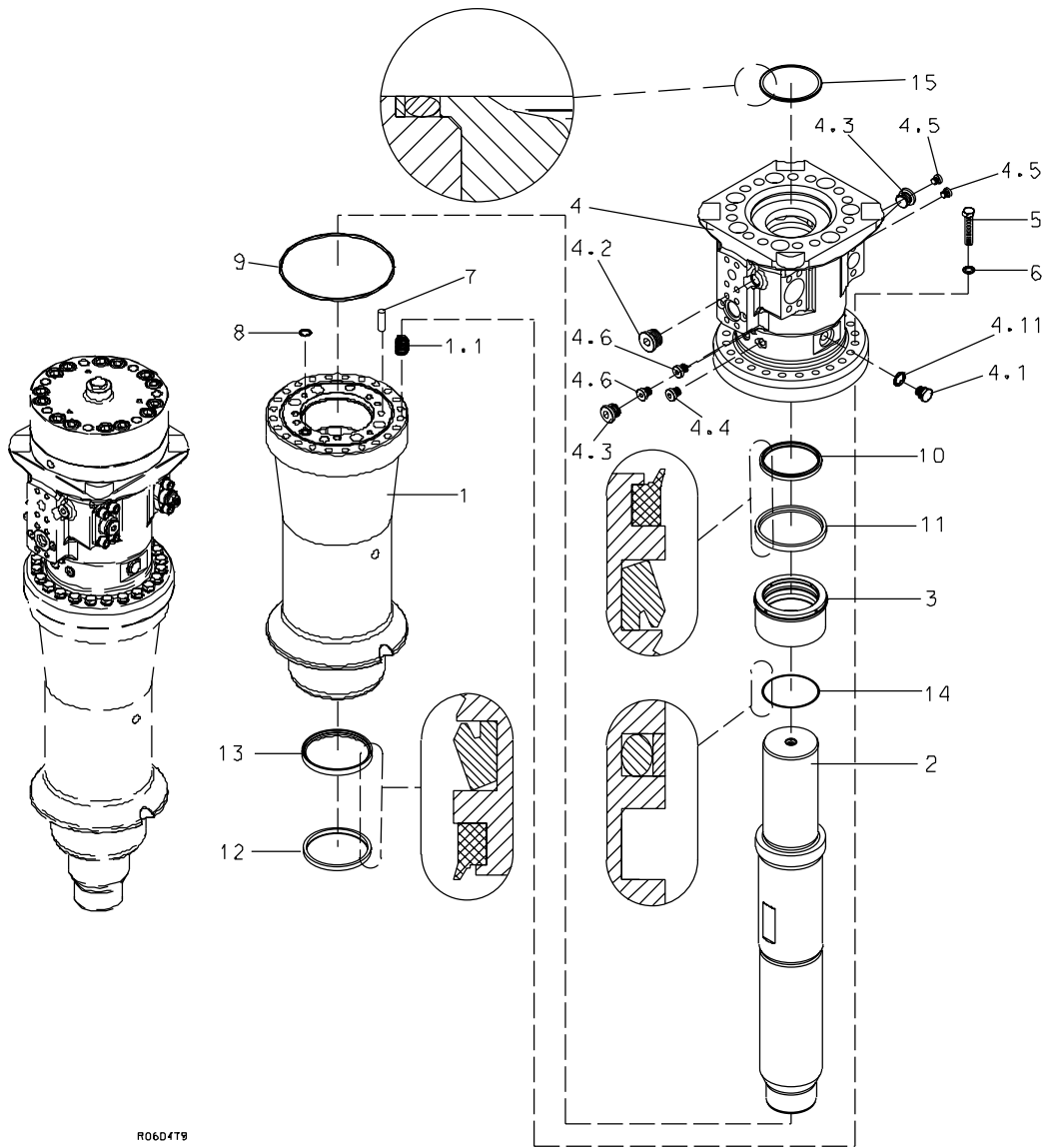
9. IDLE SELECTOR



R060437

Item	Description	Part no.	Specification	Note	Qty
1	Valve (incl. parts 1.1-1.5)	112402			1
1.1	Valve housing	150587			1
1.2	Spool	150588			1
1.3	Seal	112835	D13	*	1
1.4	Nut	90548	M16-8 ISO 10511		1
1.5	O-ring	901143	D29	*	1
2	Hex. socket screw	91100	M16x40-8.8 ISO 4762		2
3	Lock washer	90597	M16 NORD-LOCK		2
	*) Are included in seal set				

10. BODY PARTS

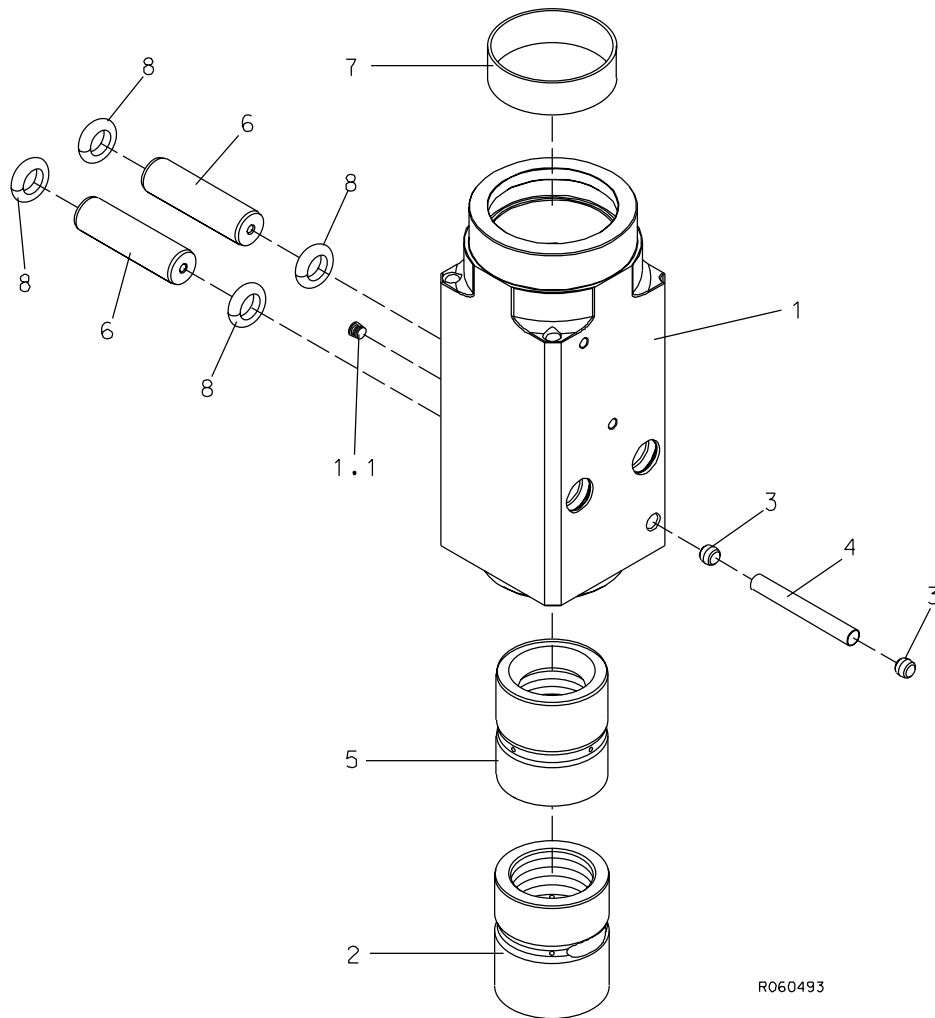


R06D4T9

BODY PARTS

Item	Description	Part no.	Specification	Note	Qty
1	Cylinder (incl. part 1.1)	153827			1
1.1	Thread element	903329	Helicoil 4130 016 0024		24
2	Piston	112257			1
3	Seal carrier	152233			1
4	Valve body (incl. parts 4.1-4.6)	152673			1
4.1	Breather (incl. part 4.11)	101200			1
4.11	O-ring	902122	D24	*	1
4.2	Flange plug	90401	R3/4		1
4.3	Flange plug	90424	R1/2		2
4.4	Flange plug	90444	R3/8		1
4.5	Flange plug	93203	R1/8		2
4.6	Flange plug	90403	R1/4		2
5	Hex. screw	90623	M16x80-8.8 ISO 4014		24
6	Lock washer	90597	M16 NORD-LOCK		24
7	Parallel pin	90317	16x50 ISO 8734		1
8	O-ring	90012	D19	*	1
9	O-ring	901185	D249	*	1
10	Wiper	94119	D125	*	1
11	seal	903293	D125	*	1
12	Wiper	903295	D140	*	1
13	Seal	903294	D140	*	1
14	Seal	152234		*	1
15	Seal	41357		*	1
	*) Are included in seal set				

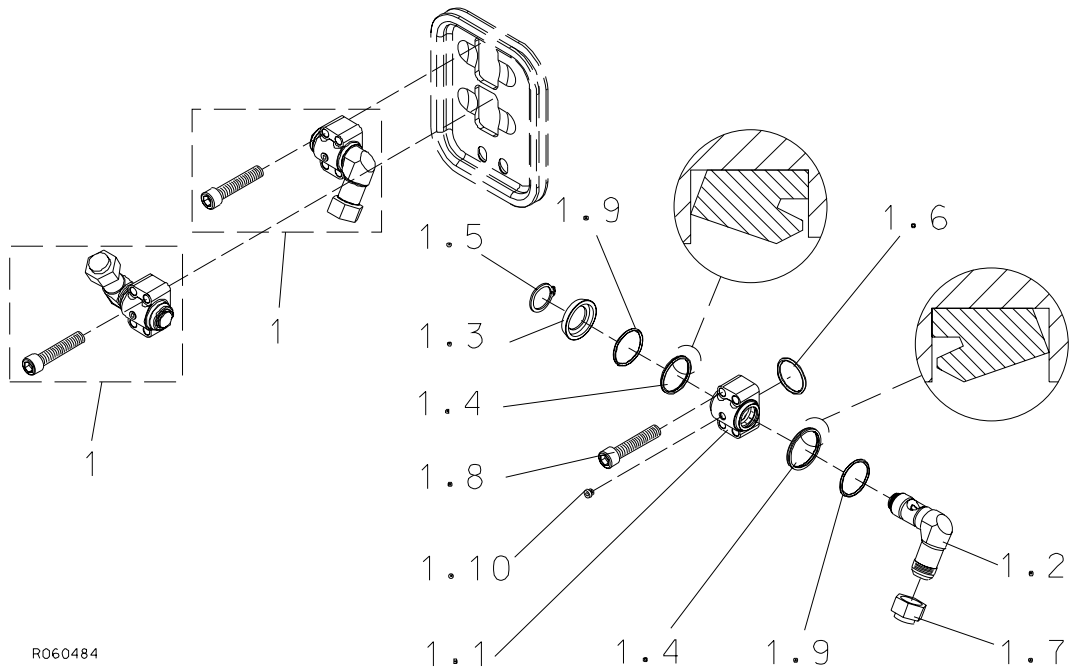
11. TOOL MODULE



R060493

Item	Description	Part no.	Specification	Note	Qty
10	Tool module (incl. parts 1-8)	154788			1
1	Front head (incl. part 1.1)	153649			1
1.1	Plug	111399			1
2	Lower tool bushing	112669			1
3	Rubber plug	104530			2
4	Retaining pin	400655			1
5	Upper tool bushing	112676			1
6	Tool retaining pin	153740			2
7	Support ring	153717			1
8	Rubber ring	153044			4

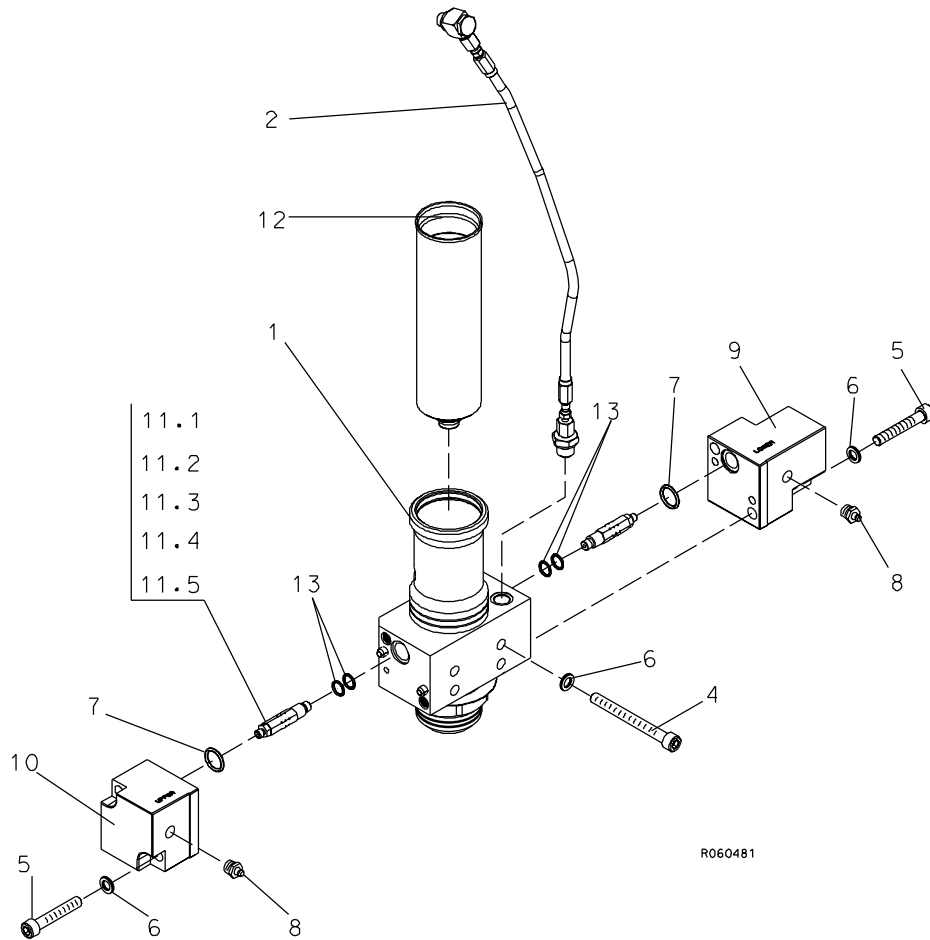
12. COUPLINGS



R060484

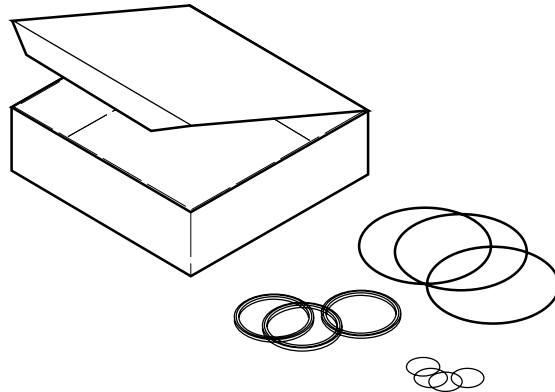
Item	Description	Part no.	Specification	Note	Qty
1	Swivel coupling (incl. parts 1.1-1.10)	150471			2
1.1	Body	150468			1
1.2	Manifold	150466			1
1.3	Spacer plate	150469			1
1.4	Seal	903392	D40	*	2
1.5	Retaining ring	903339	S30x2 DIN 471		1
1.6	O-ring	90009	D37	*	1
1.7	Cap	90431			1
1.8	Hex. socket screw	950122	M14x90-8.8 ISO 4762		4
1.9	O-ring	90044	D50	*	2
1.10	Flange plug	41658	R1/4		1

13. GREASING DEVICE



Item	Description	Part no.	Specification	Note	Qty
1	Greasing device	154245			1
2	Hose assembly	152422			1
4	Hex. socket screw	902486	M10x100-8.8 ISO 4762		4
5	Hex. socket screw	902656	M10x60-8.8 ISO 4762		4
6	Lock washer	91037	M10 NORD-LOCK		8
7	O-ring	951416	D19		2
8	Grease nipple	90200	R1/4		2
9	Spacer	153776			1
10	Spacer	153777			1
11.1	Doser	951061	B1		2
11.2	Doser	951062	B2 (standard)		2
11.3	Doser	951063	B3		2
11.4	Doser	951064	B4		2
11.5	Doser	951065	B5		2
12	Grease cartridge	951370			1
13	O-ring	951418	D11		4
Kit	Service kit for greasing device	152453	Incl. seal set and grease nipples		1

14. SEAL SET



R060012

Item	Description	Part no.	Specification	Note	Qty
Kit	Seal set (incl. parts 1-24)	153159			1
1	Seal	41357	D144		1
2	USIT-ring	90056	D9		1
3	O-ring	910006	D23		1
4	O-ring	902122	D24		1
5	O-ring	90012	D19		1
6	O-ring	901185	D249		1
7	Wiper	94119	D125		1
8	seal	903293	D125		1
9	Wiper	903295	D140		1
10	Seal	903294	D140		1
11	O-ring	90004	D32		3
12	Seal	903313			1
13	O-ring	910018	D21		1
14	Seal	41374	D55		1
15	Seal	41375	D50		1
16	Seal	41376	D45		1
17	Seal	112835	D13		1
18	O-ring	901143	D29		1
19	Seal	951261			2
20	O-ring	90009	D37		2
21	O-ring	90044	D50		4
22	Seal	152234			1
23	Seal	903392			4
24	Seal	153013			1

Sandvik Tamrock Corp., Breakers Lahti
Taivalkatu 8, P.O. Box 165, FIN-15101 Lahti, Finland
Phone Int. +358 205 44 161, Telefax Int. +358 205 44 160
www.rammer.com

33-48-14021-33-108-175
33-48-14021-36-152-224