

ENG B/03

PARTS MANUAL
PME65SCENG.B03

HYDRAULIC HAMMER
RAMMER E 65
RAMMER E 65 CITY

Serial No.

65AAB0293-UP

65ADB0293-UP

TABLE OF CONTENTS

1. Housing unit E 65	4
2. Housing unit E 65 CITY	6
3. Accumulator E 65	8
4. Main valve E 65	9
5. Check valve E 65	10
6. Pressure control valve E 65	12
7. Tie rods E 65	14
8. Body parts E 65	16
9. Front head E 65	18
10. Lower tool bushing E 65	19
11. Seal set E 65	20

GENUINE RAMMER SPARE PARTS

Rammer genuine spare parts are designed and manufactured by using the latest technological knowledge and engineering skills. Rammer spare parts are made of the best available materials with the most advanced manufacturing techniques.

It is important that you use only genuine Rammer spare parts, to ensure easy operation, maintenance and repair of the product. Please note that eventual warranty claims will be handled only if you have used genuine Rammer parts in your Rammer.

LOCATION OF THE SERIAL NUMBER

It's important to make correct reference to the serial number of the product when ordering spare parts. Identification of serial number is the only proper means of maintaining and identifying parts for a specific product. The location of equipment serial number is pointed in "Operation and maintenance" manual.

SPARE PART ORDERS

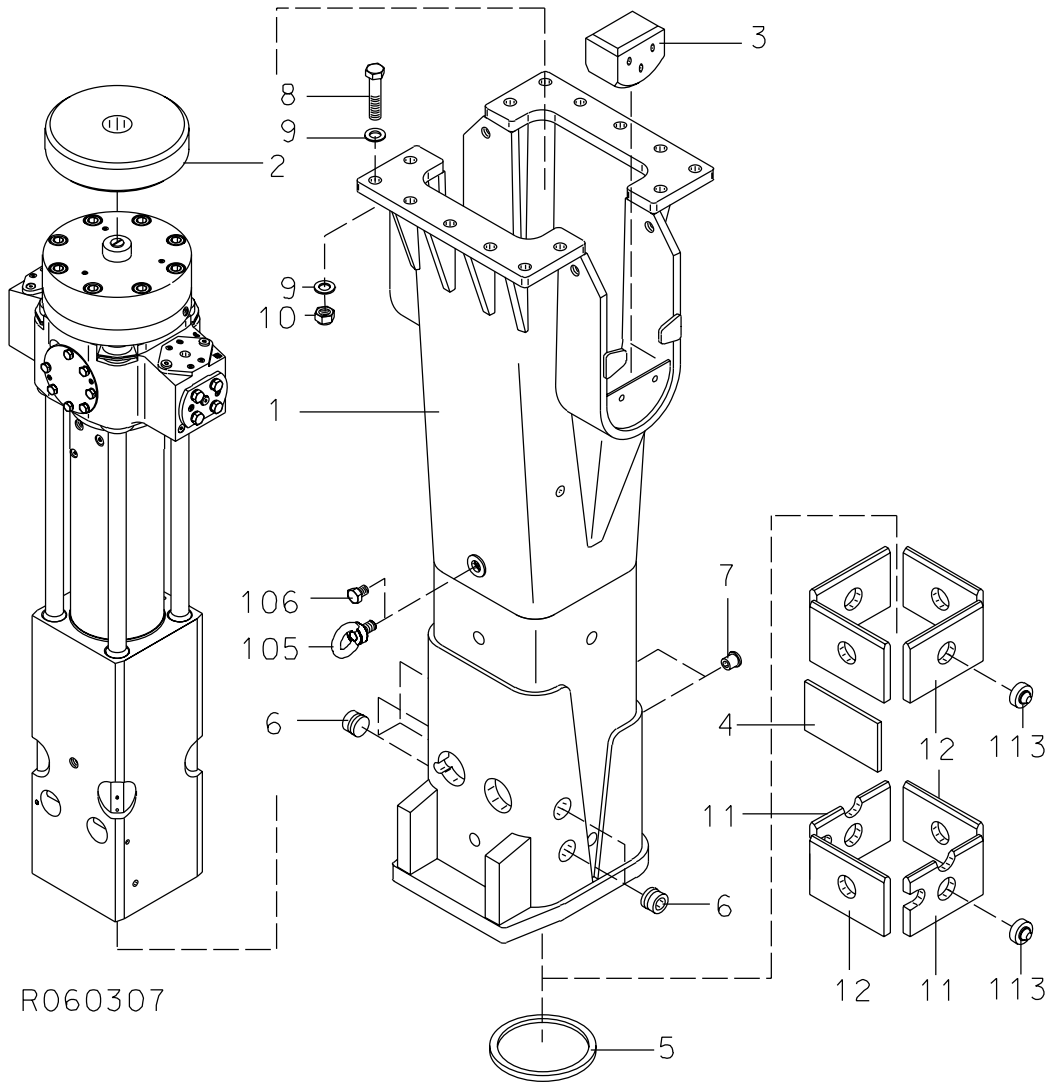
Quick spare part deliveries are secured by exact orders.

Required information:

- Name of customer and contact person
 - Order number (when available)
 - Delivery address
 - Mode of delivery (air mail etc.)
 - Required delivery date
 - Invoicing address
 - Model and serial number of the product
 - Name, number and required amount of spare parts
-

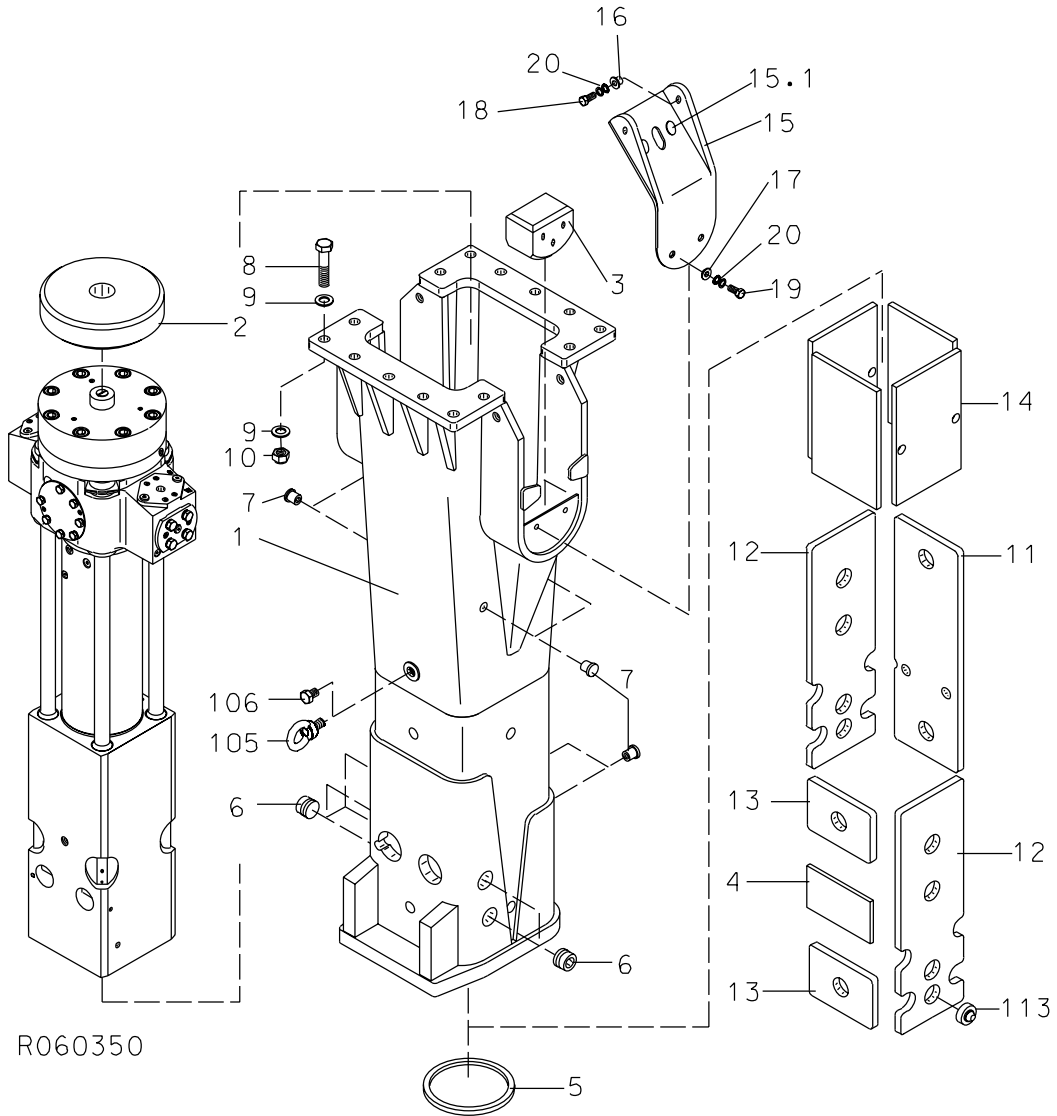
PARTS

1. HOUSING UNIT E 65



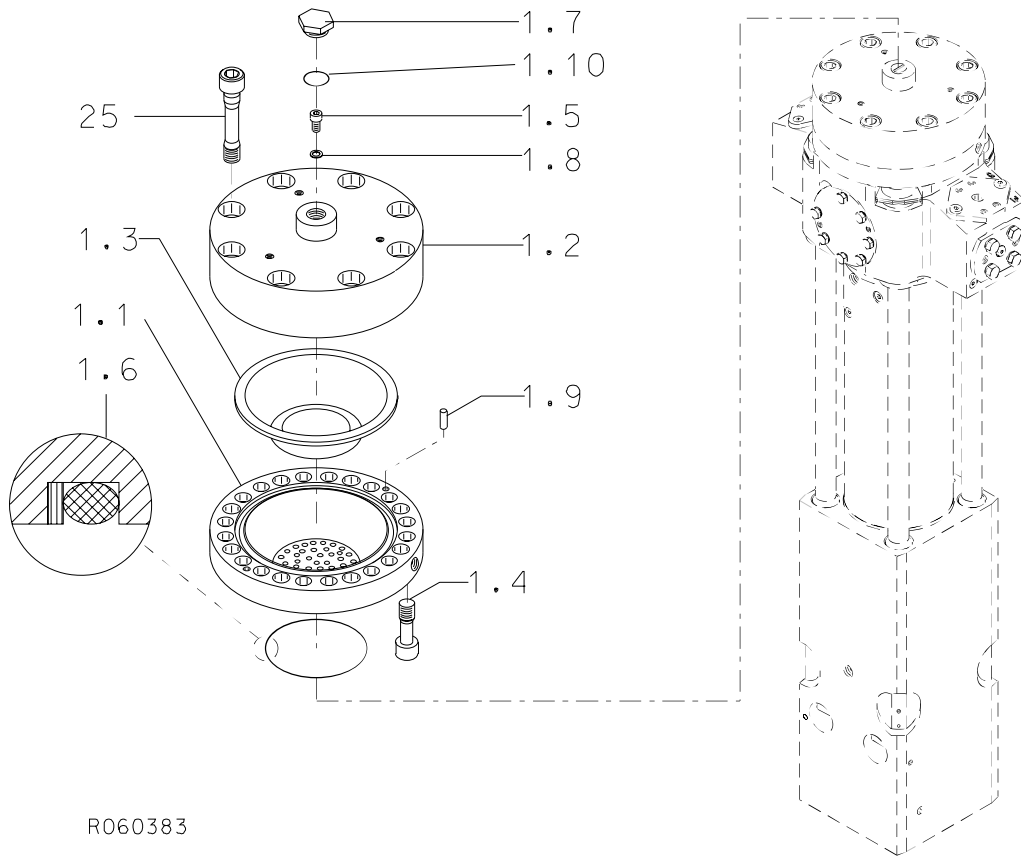
Item	Description	Part no.	Specification	Note	Qty
1	Housing (incl. parts 105-113)	111173			1
2	Buffer	301000			1
3	Pad	301001			2
4	Shield plate	102561			1
5	Seal	102142			1
6	Rubber plug	400676	D50		6
7	Rubber plug	400566	D25		2
8	Hex. screw	90589	M24x110-12.9 DIN 931		14
9	Washer	90511	25 DIN 6916		14
10	Lock nut	90507	M24-12 DIN 985		14
11	Wear plate	102753			2
12	Wear plate	102754			6
105	Lifting eye	90605	M24 DIN 580		1
106	Hex. screw	900025	M24x35-8.8 DIN 933		1
113	Pin	101133			8
Kit	Label set	111316			1

2. HOUSING UNIT E 65 CITY



Item	Description	Part no.	Specification	Note	Qty
1	Housing (incl. parts 105-113)	111173			1
2	Buffer	301000			1
3	Pad	301001			2
4	Shield plate	102561			1
5	Seal	102142			1
6	Rubber plug	400676	D50		6
7	Rubber plug	400566	D25		6
8	Hex. screw	90589	M24x110-12.9 DIN 931		14
9	Washer	90511	25 DIN 6916		14
10	Lock nut	90507	M24-12 DIN 985		14
11	Wear plate	103979			1
12	Wear plate	103980			2
13	Wear plate	103981			2
14	Damper plate	102560			4
15	Shield plate (incl. part 15.1)	102980			2
15.1	Plug	103875			2
16	Middle bushing	102944			4
17	Middle bushing	102939			4
18	Hex. screw	91050	M12x40-8.8 DIN 933		4
19	Hex. screw	90513	M12x30-8.8 DIN 933		4
20	Lock washer	91012	M12 NORD-LOCK		8
105	Lifting eye	90605	M24 DIN 580		1
106	Hex. screw	900025	M24x35-8.8 DIN 933		1
113	Pin	101133			8
Kit	Label set	111329			1

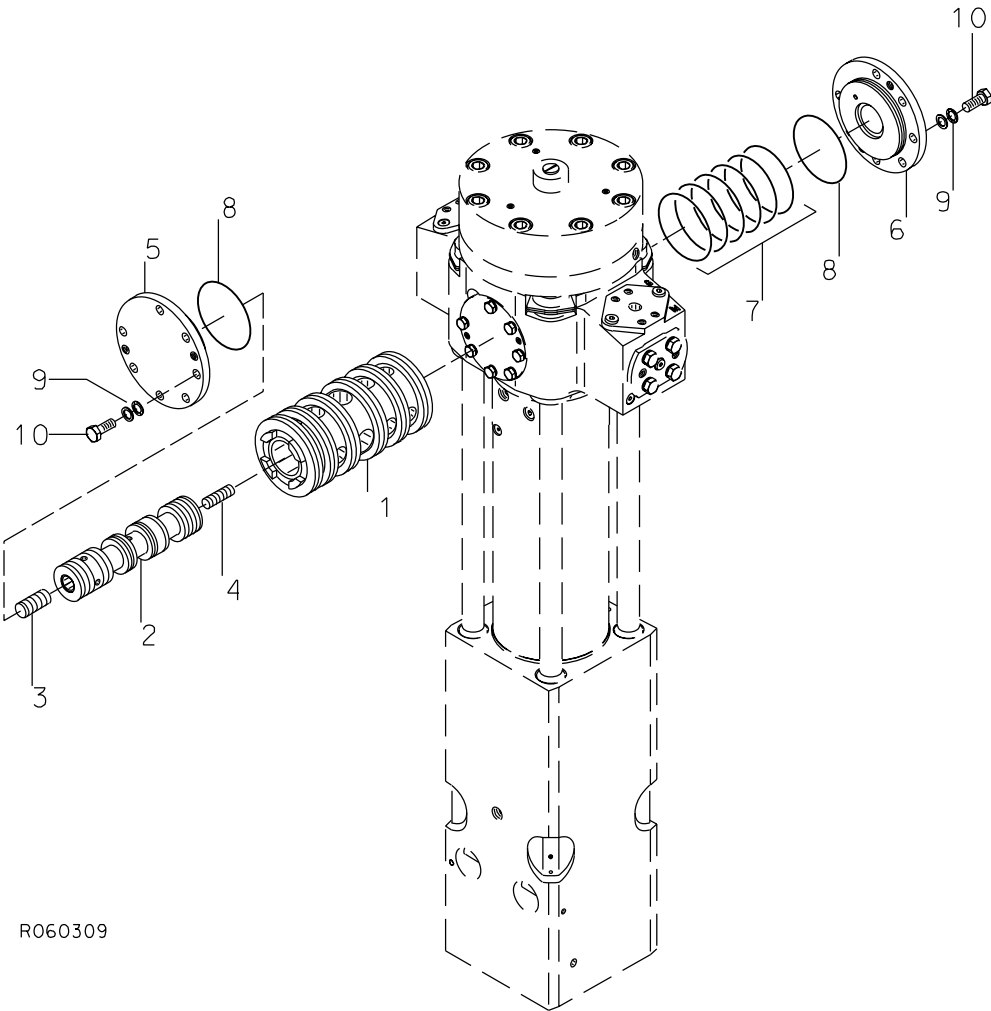
3. ACCUMULATOR E 65



R060383

Item	Description	Part no.	Specification	Note	Qty
1	Accumulator (incl. parts 1.1-1.10)	300997			1
1.1	Accumulator bottom	100303			1
1.2	Accumulator cover	100716			1
1.3	Membrane	30211			1
1.4	Accumulator screw	40416			16
1.5	Filling plug	40368			1
1.6	Seal	40104	D114	*	1
1.7	Shield plug	154015			1
1.8	Usit-ring	90056	U8.7-14-1	*	1
1.9	Parallel pin	90304	10m6x24 DIN 6325		2
1.10	O-ring	910006	D23	*	1
25	Accumulator screw	301018			8
	*) Are included in seal set				

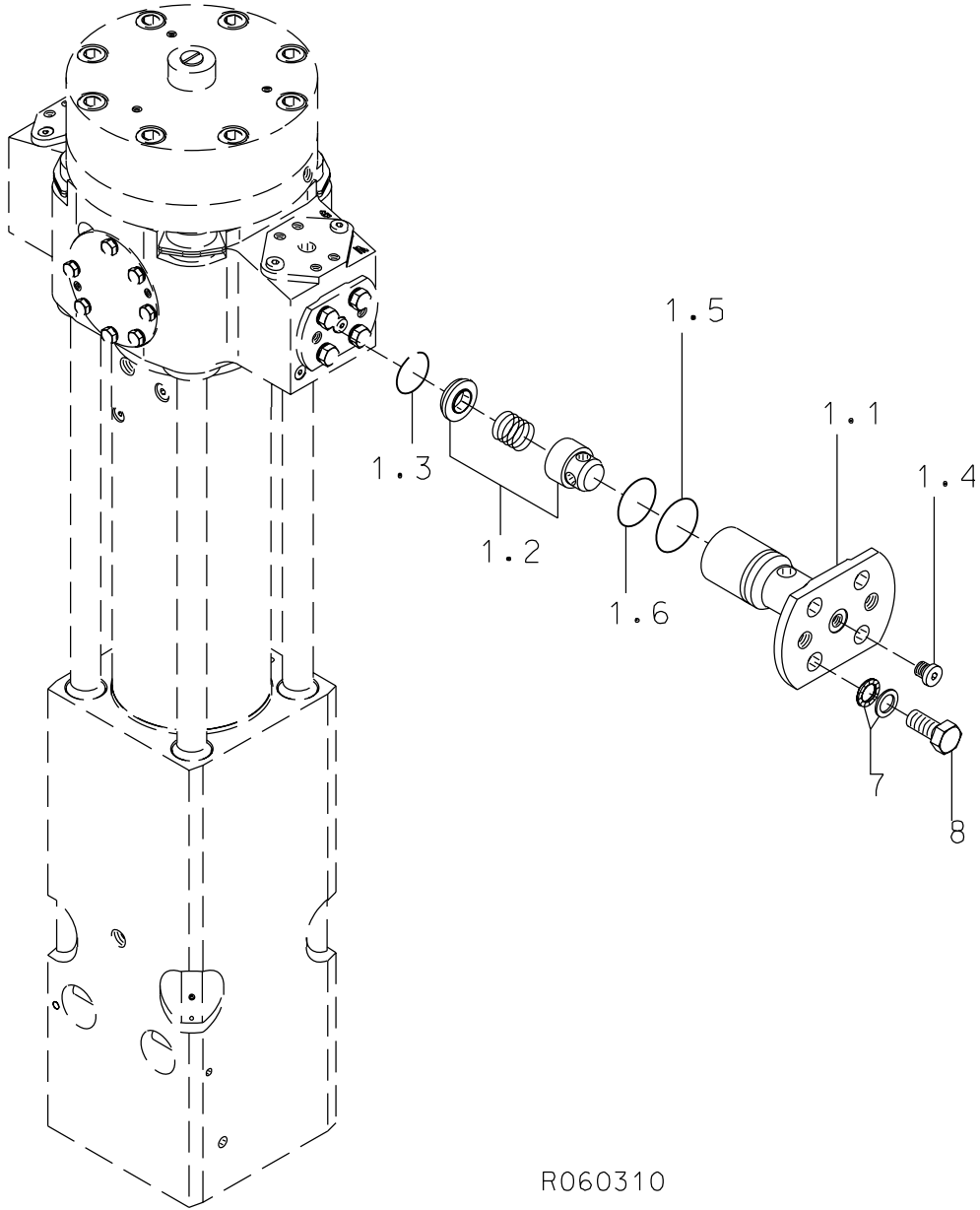
4. MAIN VALVE E 65



RO60309

Item	Description	Part no.	Specification	Note	Qty
1	Main valve bushing	103841			1
2	Main spool	103523	D50		1
3	Spool	40111	D20		1
4	Spool	103199	D15		1
5	Cover	300458			1
6	Cover	300459			1
7	Seal	902668	D110	*	6
8	O-ring	90005	D105	*	2
9	Lock washer	91012	M12 NORD-LOCK		14
10	Hex. screw	900023	M12x30-10.9 DIN 933		14
	*) Are included in seal set				

5. CHECK VALVE E 65

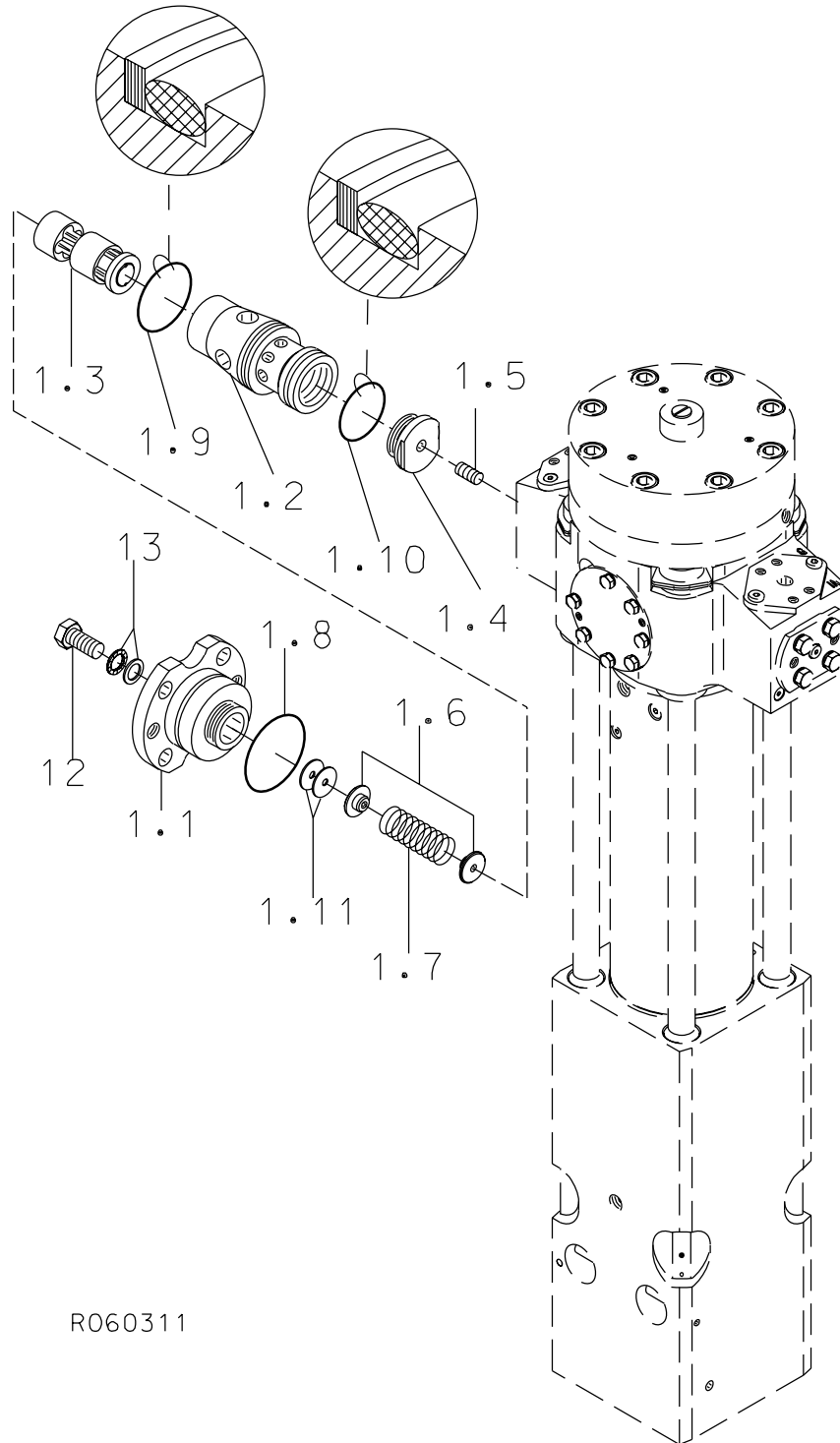


R060310

CHECK VALVE E 65

Item	Description	Part no.	Specification	Note	Qty
1	Check valve (incl. parts 1.1-1.6, 7 and 8)	40587			1
1.1	Check valve housing	30272			1
1.2	Check valve	90432			1
1.3	Spring ring	90310	B38 DIN 7993		1
1.4	Flange plug	90403	R1/4		1
1.5	O-ring	90031	D46	*	1
1.6	O-ring	90007	D44	*	1
7	Lock washer	90597	M16 NORD-LOCK		4
8	Hex. screw	90517	M16x35-8.8 DIN 933		4
	*) Are included in seal set				

6. PRESSURE CONTROL VALVE E 65

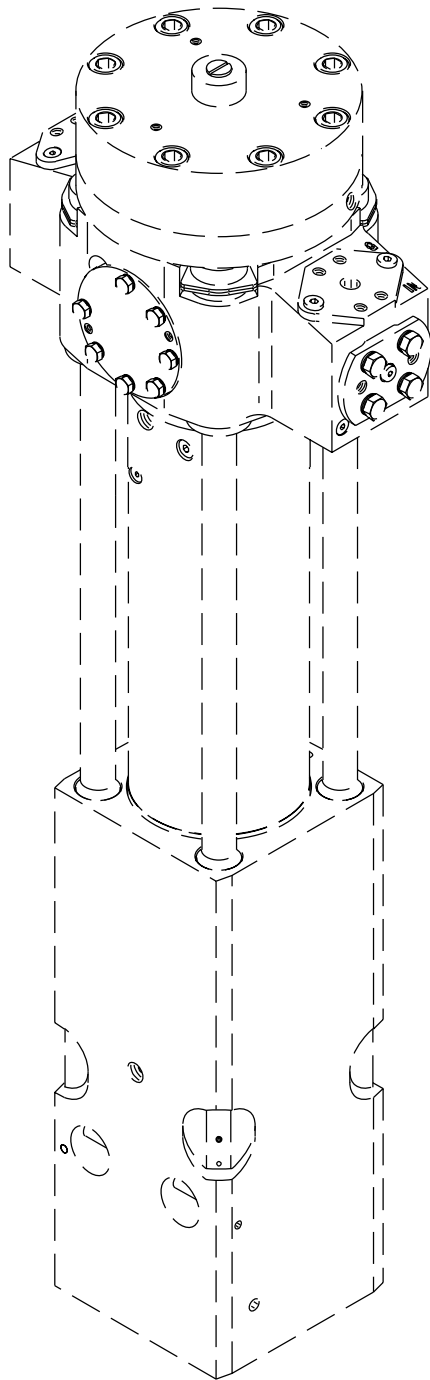


R060311

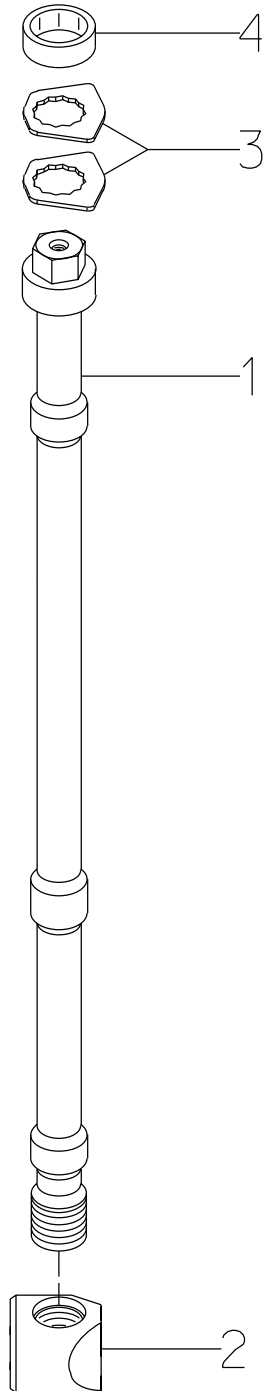
PRESSURE CONTROL VALVE E 65

Item	Description	Part no.	Specification	Note	Qty
1	Pressure control valve (incl. parts 1.1-1.11, 12 and 13)	300442			1
1.1	Cover	300445			1
1.2	Valve body	300443			1
1.3	Spool	300444			1
1.4	Guide	400320			1
1.5	Spool	400321	D15		1
1.6	Spring guide	42174			2
1.7	Spring	920009			1
1.8	O-ring	90030	D75	*	1
1.9	Seal	40533	D65	*	1
1.10	Seal	41374	D55	*	1
1.11	Shim plate	42361	S=1.5		x
1.12	Shim plate	42362	S=1.25		x
1.13	Shim plate	42363	S=0.9		x
12	Hex. screw	90517	M16x35-8.8 DIN 933		4
13	Lock washer	90597	M16 NORD-LOCK		4
	*) Are included in seal set				

7. TIE RODS E 65

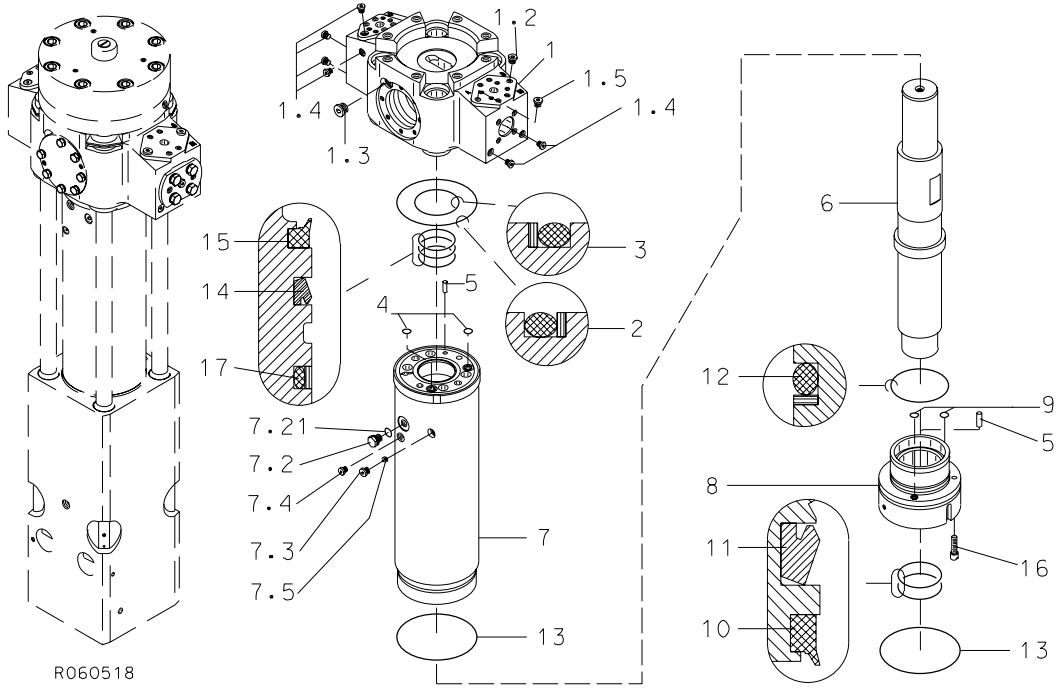


R060312



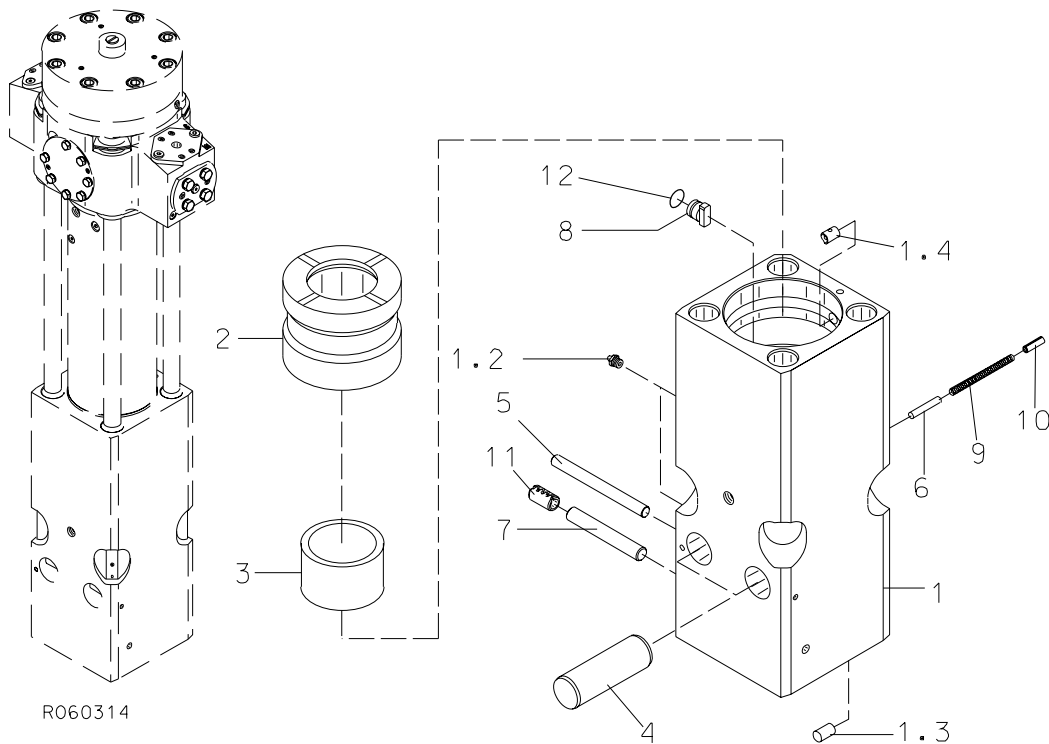
Item	Description	Part no.	Specification	Note	Qty
1	Tie rod	102785			4
2	Tie rod nut	102814			4
3	Lock plate	400480			8
4	Rubber ring	400343			4

8. BODY PARTS E 65



Item	Description	Part no.	Specification	Note	Qty
1	Valve body (incl. parts 1.2-1.5)	100728			1
1.2	Breather	400662			1
1.3	Flange plug	90401	R3/4		1
1.4	Flange plug	90403	R1/4		6
1.5	Flange plug	90444	R3/8		1
2	Seal	400332	D194	*	1
3	Seal	400330	D100	*	1
4	O-ring	90012	D19	*	2
5	Parallel pin	90342	10m6x30 DIN 6325		2
6	Piston	111135			1
7	Cylinder (incl. parts 7.2-7.5)	155158			1
7.2	Breather (incl. part 7.21)	101200			1
7.21	O-ring	902122	D24	*	1
7.3	Flange plug	90444	R3/8		1
7.4	Flange plug	90403	R1/4		2
7.5	Taper plug	93125	DIN 906-R1/4		1
8	Lower seal carrier	111134			1
9	O-ring	94035	D13	*	2
10	Wiper	911018	D110	*	1
11	Seal	902997	D110	*	1
12	Seal	400339	D150	*	1
13	O-ring	94077	D184	*	2
14	Seal	902996	D90	*	1
15	Wiper	911017	D90	*	1
16	Screw	150156			1
17	Seal	152689	D89	*	1
	*) Are included in seal set				

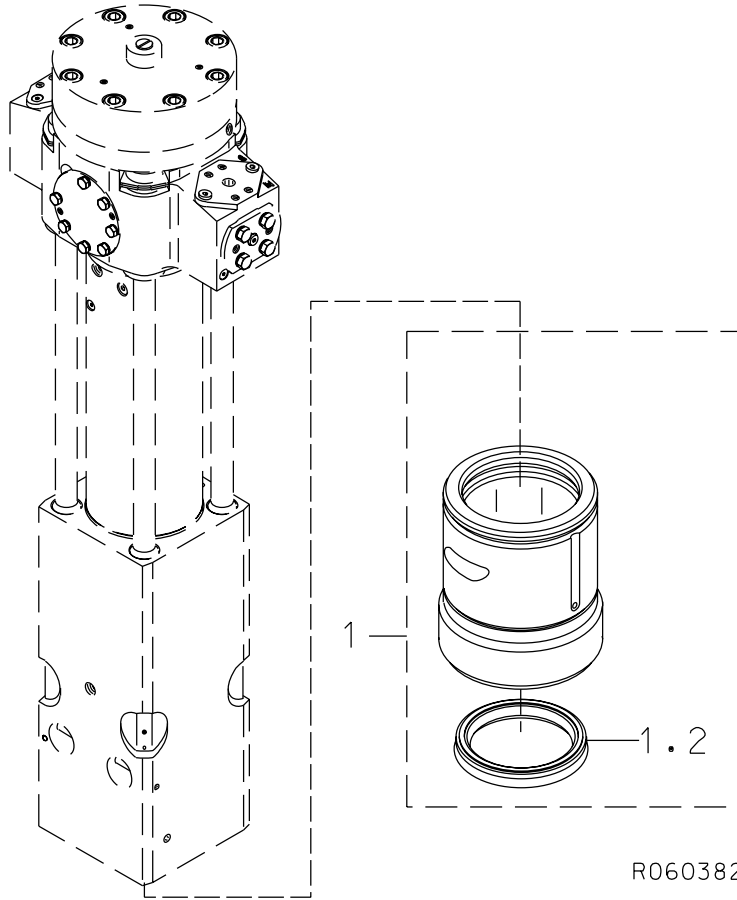
9. FRONT HEAD E 65



R060314

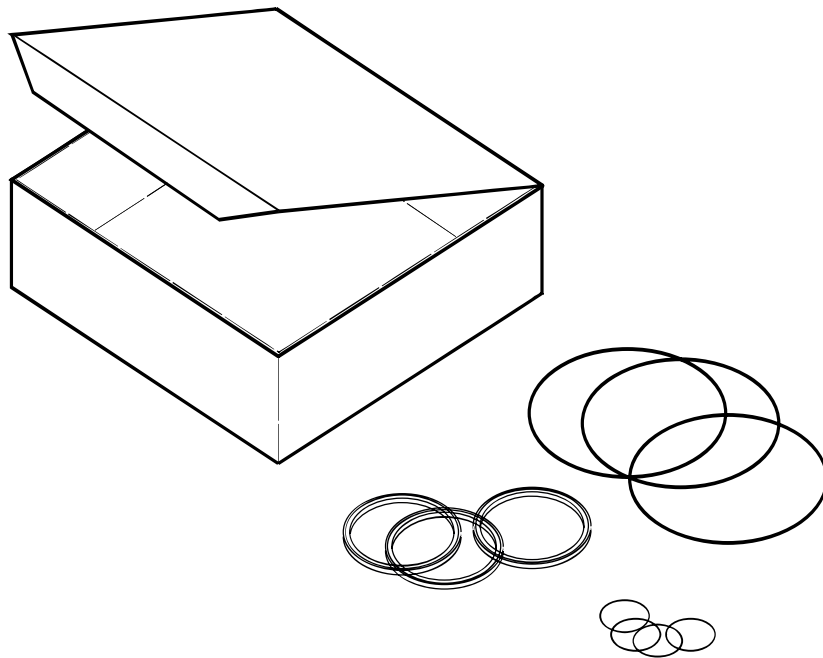
Item	Description	Part no.	Specification	Note	Qty
1	Front head (incl. parts 1.2-1.4)	111165			1
1.2	Grease nipple	90200	R1/4		2
1.3	Plug	110710			1
1.4	Plug	111161			1
2	Thrust ring	111164			1
3	Upper tool bushing	111162			1
4	Retaining pin	400315	D60		2
5	Retaining pin	400317	D20		1
6	Retaining pin	400588	D12		1
7	Retaining pin	400323	D25		1
8	Wedge	40110			1
9	Spring	42461			1
10	Split pin	903132	D12x60 DIN 1481		1
11	Split pin	901136	Connex S 25x50		1
12	O-ring	90000	D24	*	1
	*) Are included in seal set				

10. LOWER TOOL BUSHING E 65



Item	Description	Part no.	Specification	Note	Qty
1	Lower tool bushing (incl. part 1.2)	110699			1
1.2	Seal	110697			1

11. SEAL SET E 65



R060012

Item	Description	Part no.	Specification	Note	Qty
Kit	Seal set (incl. parts 1-24)	106811			1
1	Usit-ring	90056	U8.7-14-1		1
2	O-ring	90030	D75		1
3	Seal	40533	D65		1
4	Seal	41374	D55		1
5	O-ring	90031	D46		1
6	O-ring	90007	D44		1
7	Seal	902668	D110		6
8	O-ring	90005	D105		2
9	Seal	400332	D194		1
10	Seal	400330	D100		1
11	O-ring	90012	D19		2
12	O-ring	94035	D13		2
13	Wiper	911018	D110		1
14	Seal	902997	D110		1
15	Seal	400339	D150		1
16	O-ring	94077	D184		2
17	Seal	902996	D90		2
18	Wiper	911017	D90		1
19	O-ring	90000	D24		1
21	Seal	40104	D114		1
22	O-ring	910006	D23		1
23	Seal	152689	D89		1
24	Seal	152815	D89		1

Sandvik Tamrock Corp., Breakers Lahti
Taivalkatu 8, P.O. Box 165, FIN-15101 Lahti, Finland
Phone Int. +358 205 44 161, Telefax Int. +358 205 44 160
www.rammer.com

54-44-14021-30-116-210
60-44-14021-39-12-336