

ENG B/03

PARTS MANUAL
PME65TENG.B03

HYDRAULIC HAMMER

RAMMER E 65 TUNNEL

Serial No.
65ADT0293-UP

TABLE OF CONTENTS

1. Housing unit E 65 TUNNEL	4
2. Accumulator E 65	6
3. Main valve E 65	7
4. Check valve E 65	8
5. Pressure control valve E 65	10
6. Tie rods E 65	12
7. Body parts E 65	14
8. Front head E 65 TUNNEL	16
9. Lower tool bushing E 65	17
10. Seal set E 65	18

GENUINE RAMMER SPARE PARTS

Rammer genuine spare parts are designed and manufactured by using the latest technological knowledge and engineering skills. Rammer spare parts are made of the best available materials with the most advanced manufacturing techniques.

It is important that you use only genuine Rammer spare parts, to ensure easy operation, maintenance and repair of the product. Please note that eventual warranty claims will be handled only if you have used genuine Rammer parts in your Rammer.

LOCATION OF THE SERIAL NUMBER

It's important to make correct reference to the serial number of the product when ordering spare parts. Identification of serial number is the only proper means of maintaining and identifying parts for a specific product. The location of equipment serial number is pointed in "Operation and maintenance" manual.

SPARE PART ORDERS

Quick spare part deliveries are secured by exact orders.

Required information:

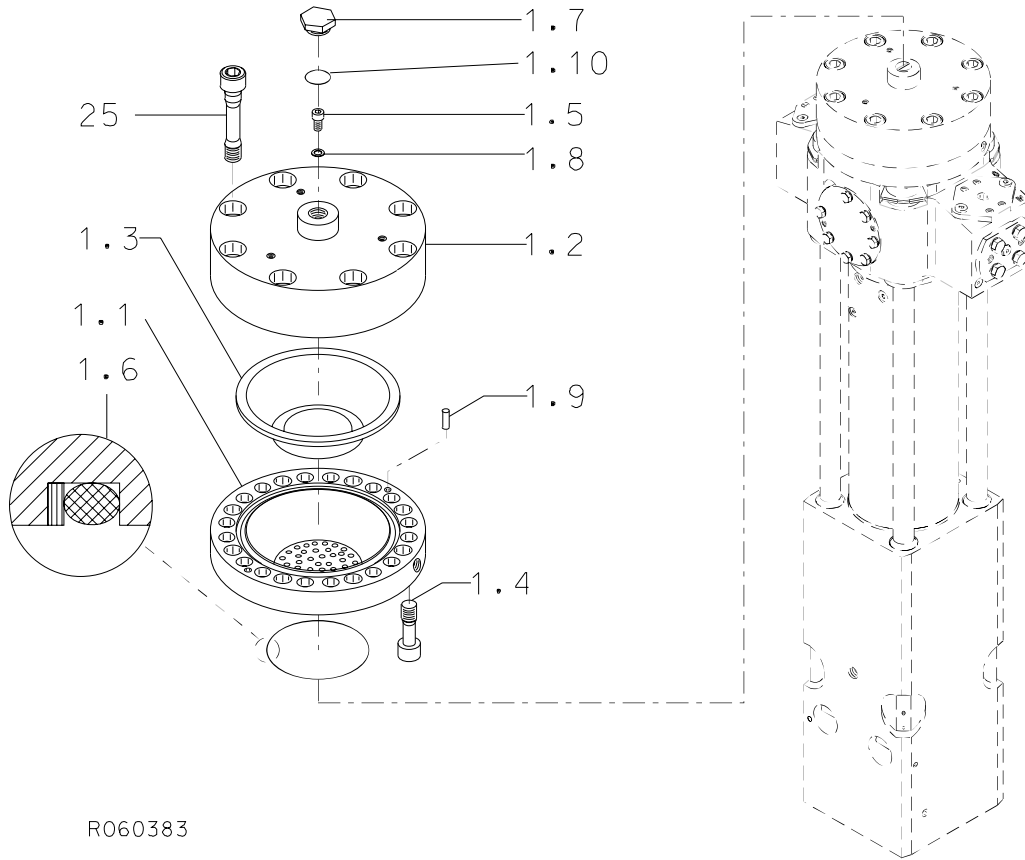
- Name of customer and contact person
 - Order number (when available)
 - Delivery address
 - Mode of delivery (air mail etc.)
 - Required delivery date
 - Invoicing address
 - Model and serial number of the product
 - Name, number and required amount of spare parts
-

PARTS

HOUSING UNIT E 65 TUNNEL

Item	Description	Part no.	Specification	Note	Qty
1	Housing (incl. parts 102-122)	105913			1
2	Pad	300954			2
3	Buffer	113771			1
8	Cover (incl. parts 8.2-8.4)	105955			2
8.2	Bar	105959			1
8.3	Flexible element	105958			1
8.4	Split pin	90327			1
10	Rubber plug	400566	D25		6
11	Rubber plug	400676	D50		2
12	Hex. screw	90589	M24x110-12.9 DIN 931		14
13	Washer	90511	25 DIN 6916		14
14	Lock nut	90507	M24-12 DIN 985		14
15	Retaining pin	106055	D60		2
102	Pin	101133			8
103	Wear plate	111906			2
104	Wear plate	111905			2
107	Shield plate (incl. part 107.1)	102980			2
107.1	Plug	103875			2
109	Lifting eye	90605	M24 DIN 580		1
110	Hex. screw	900025	M24x35-8.8 DIN 933		1
111	Middle bushing	102944			4
112	Middle bushing	102939			4
113	Hex. screw	91050	M12x40-8.8 DIN 933		4
114	Hex. screw	90513	M12x30-8.8 DIN 933		4
115	Lock washer	91012	M12 NORD-LOCK		8
116	Damper plate	102560			4
119	Rubber plug	300950			2
120	Seal	112743			1
121	Shield	113134			1
122	Split pin	90339	13x120 DIN 1481		2
Kit	Label set	150379			1

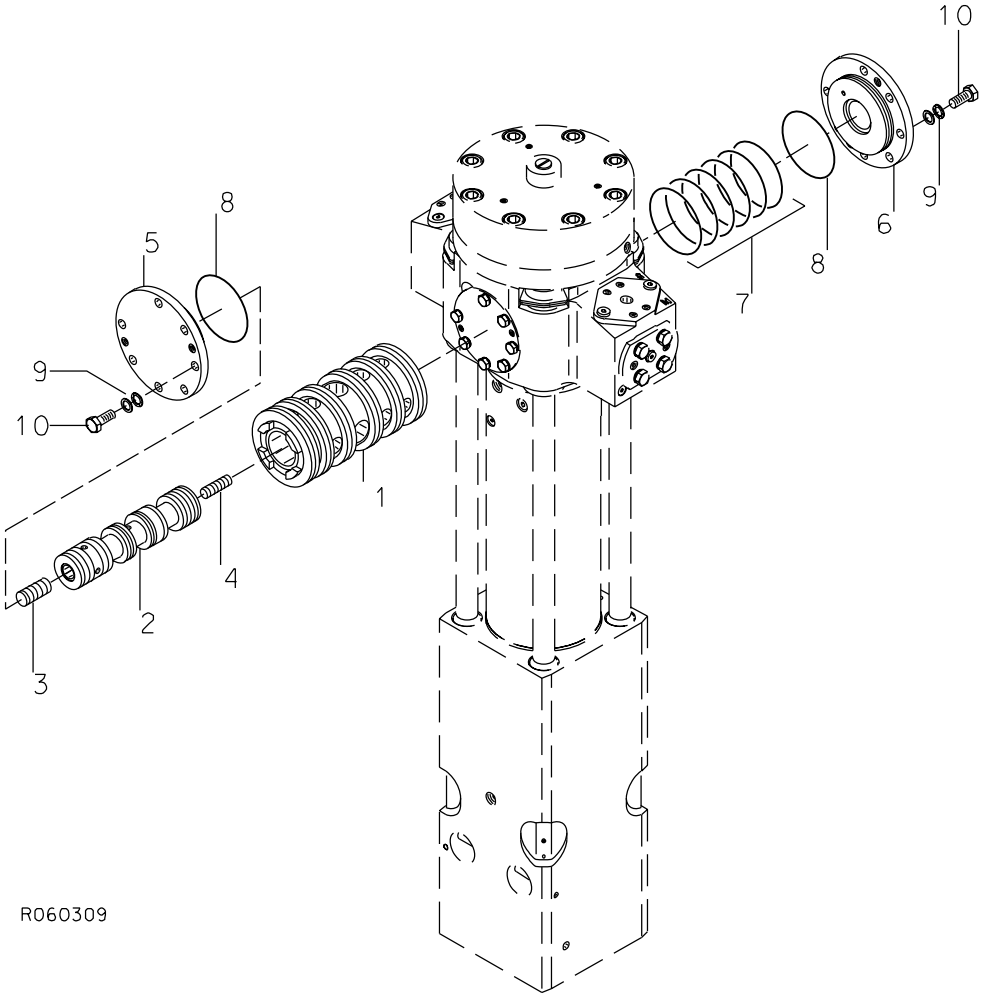
2. ACCUMULATOR E 65



R060383

Item	Description	Part no.	Specification	Note	Qty
1	Accumulator (incl. parts 1.1-1.10)	300997			1
1.1	Accumulator bottom	100303			1
1.2	Accumulator cover	100716			1
1.3	Membrane	30211			1
1.4	Accumulator screw	40416			16
1.5	Filling plug	40368			1
1.6	Seal	40104	D114	*	1
1.7	Shield plug	154015			1
1.8	Usit-ring	90056	U8.7-14-1	*	1
1.9	Parallel pin	90304	10m6x24 DIN 6325		2
1.10	O-ring	910006	D23	*	1
2.5	Accumulator screw	301018			8
	*) Are included in seal set				

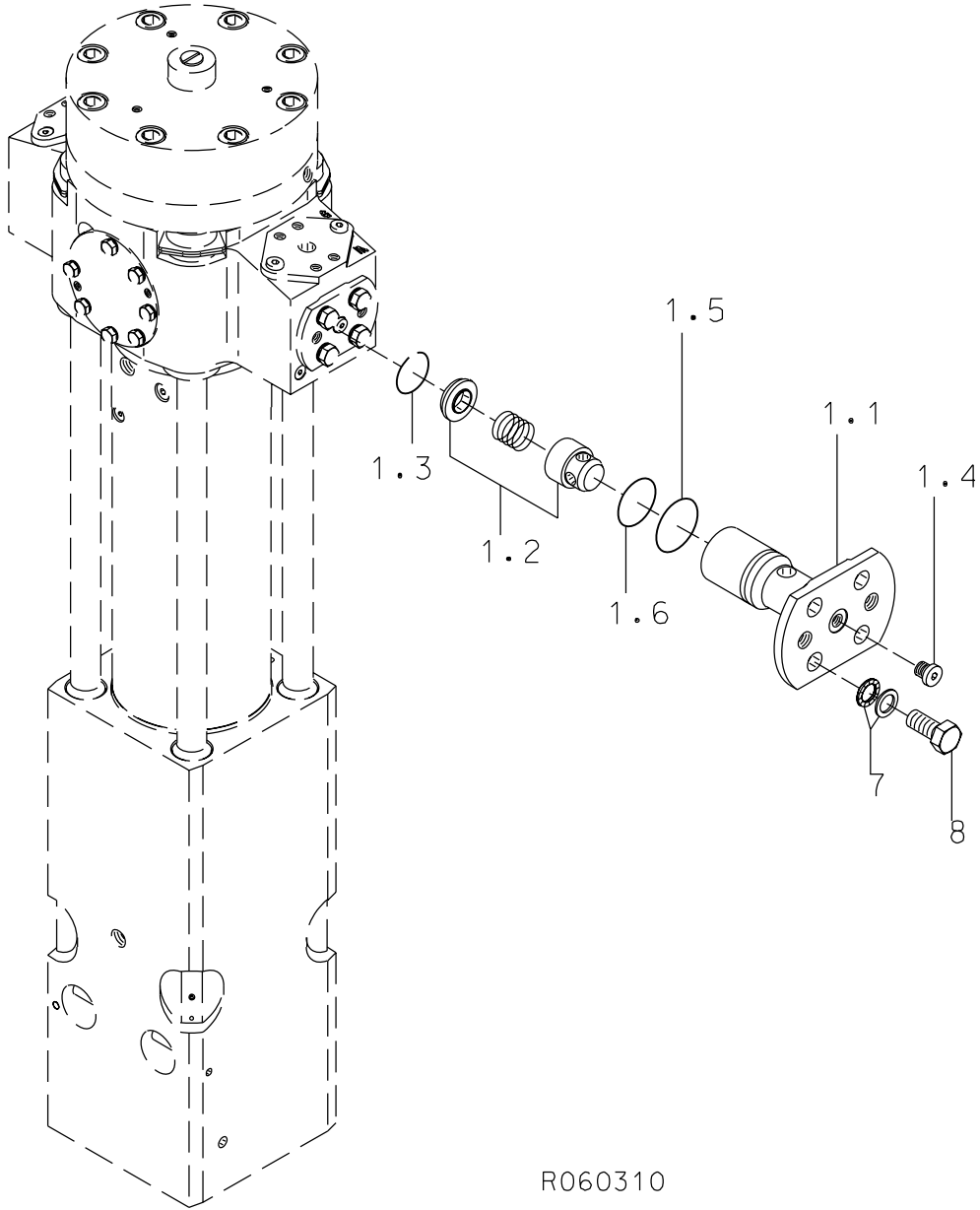
3. MAIN VALVE E 65



R060309

Item	Description	Part no.	Specification	Note	Qty
1	Main valve bushing	103841			1
2	Main spool	103523	D50		1
3	Spool	40111	D20		1
4	Spool	103199	D15		1
5	Cover	300458			1
6	Cover	300459			1
7	Seal	902668	D110	*	6
8	O-ring	90005	D105	*	2
9	Lock washer	91012	M12 NORD-LOCK		14
10	Hex. screw	900023	M12x30-10.9 DIN 933		14
	*) Are included in seal set				

4. CHECK VALVE E 65

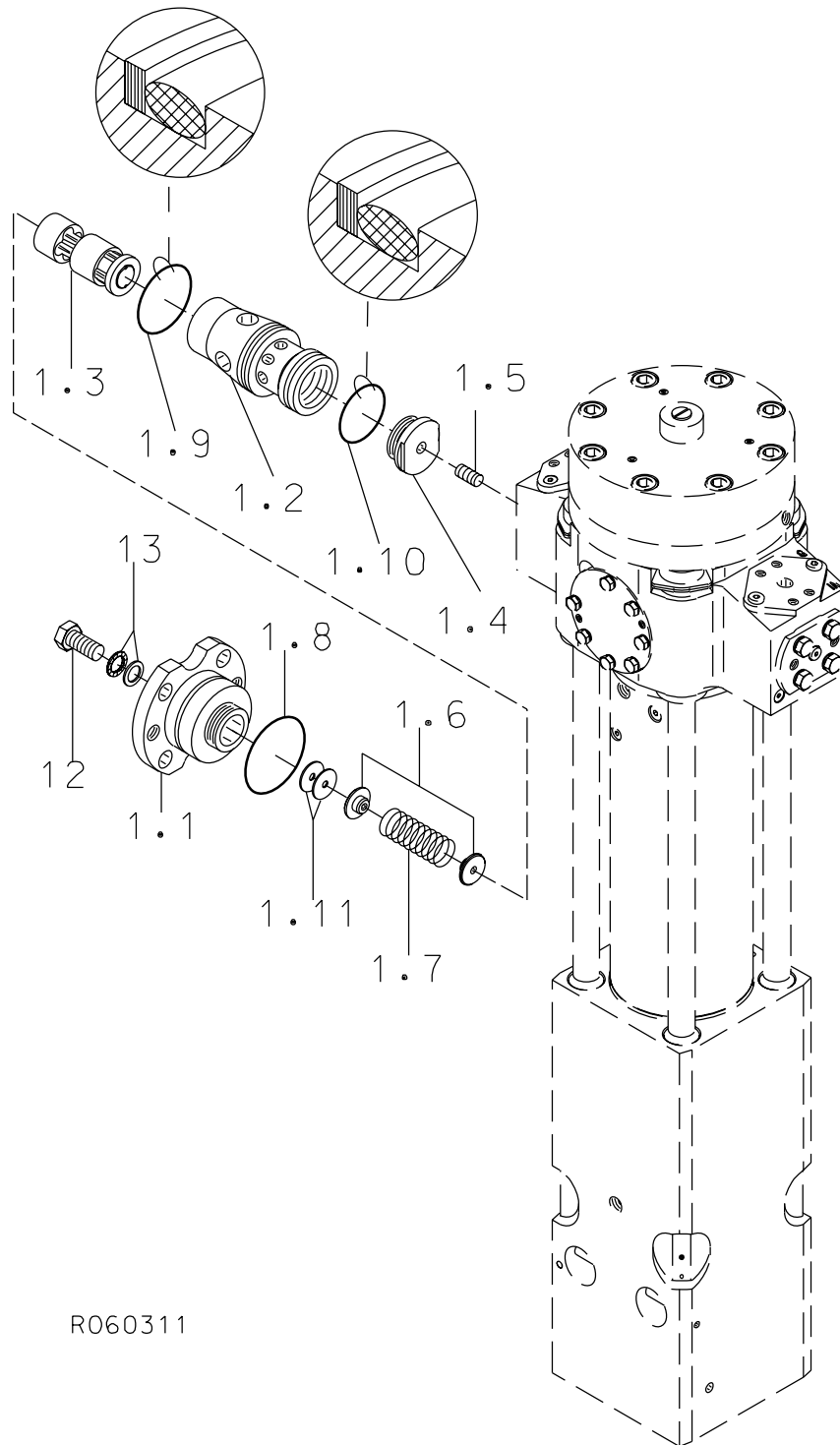


R060310

CHECK VALVE E 65

Item	Description	Part no.	Specification	Note	Qty
1	Check valve (incl. parts 1.1-1.6, 7 and 8)	40587			1
1.1	Check valve housing	30272			1
1.2	Check valve	90432			1
1.3	Spring ring	90310	B38 DIN 7993		1
1.4	Flange plug	90403	R1/4		1
1.5	O-ring	90031	D46	*	1
1.6	O-ring	90007	D44	*	1
7	Lock washer	90597	M16 NORD-LOCK		4
8	Hex. screw	90517	M16x35-8.8 DIN 933		4
	*) Are included in seal set				

5. PRESSURE CONTROL VALVE E 65

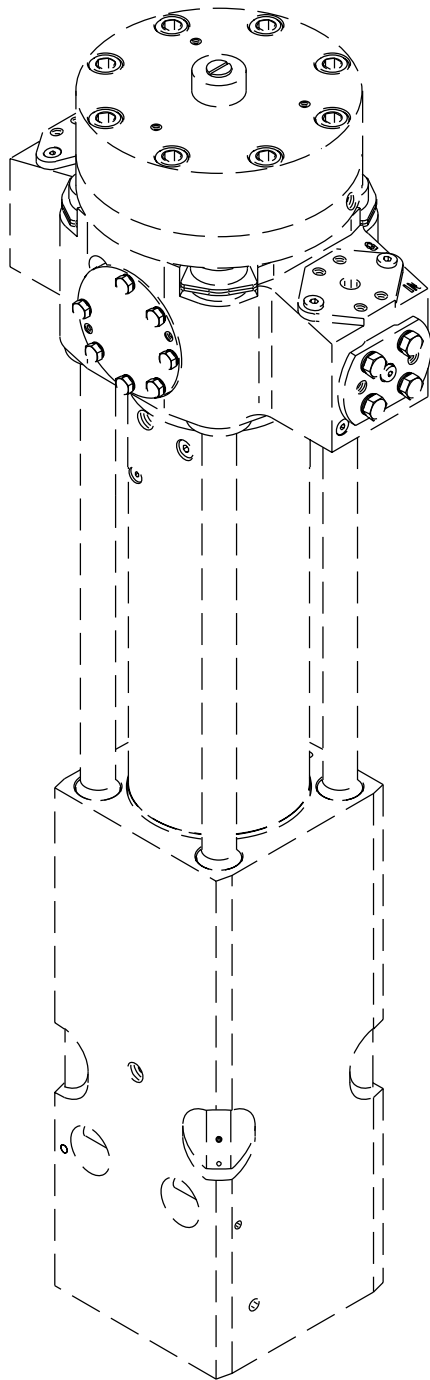


R060311

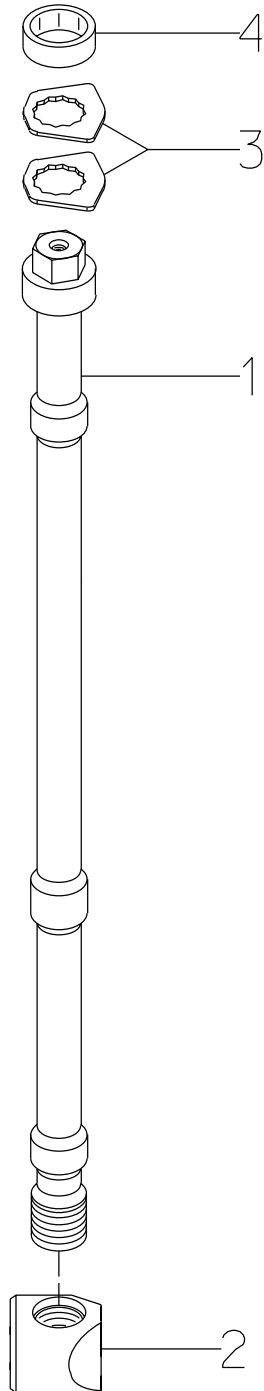
PRESSURE CONTROL VALVE E 65

Item	Description	Part no.	Specification	Note	Qty
1	Pressure control valve (incl. parts 1.1-1.11, 12 and 13)	300442			1
1.1	Cover	300445			1
1.2	Valve body	300443			1
1.3	Spool	300444			1
1.4	Guide	400320			1
1.5	Spool	400321	D15		1
1.6	Spring guide	42174			2
1.7	Spring	920009			1
1.8	O-ring	90030	D75	*	1
1.9	Seal	40533	D65	*	1
1.10	Seal	41374	D55	*	1
1.11	Shim plate	42361	S=1.5		x
1.12	Shim plate	42362	S=1.25		x
1.13	Shim plate	42363	S=0.9		x
12	Hex. screw	90517	M16x35-8.8 DIN 933		4
13	Lock washer	90597	M16 NORD-LOCK		4
	*) Are included in seal set				

6. TIE RODS E 65

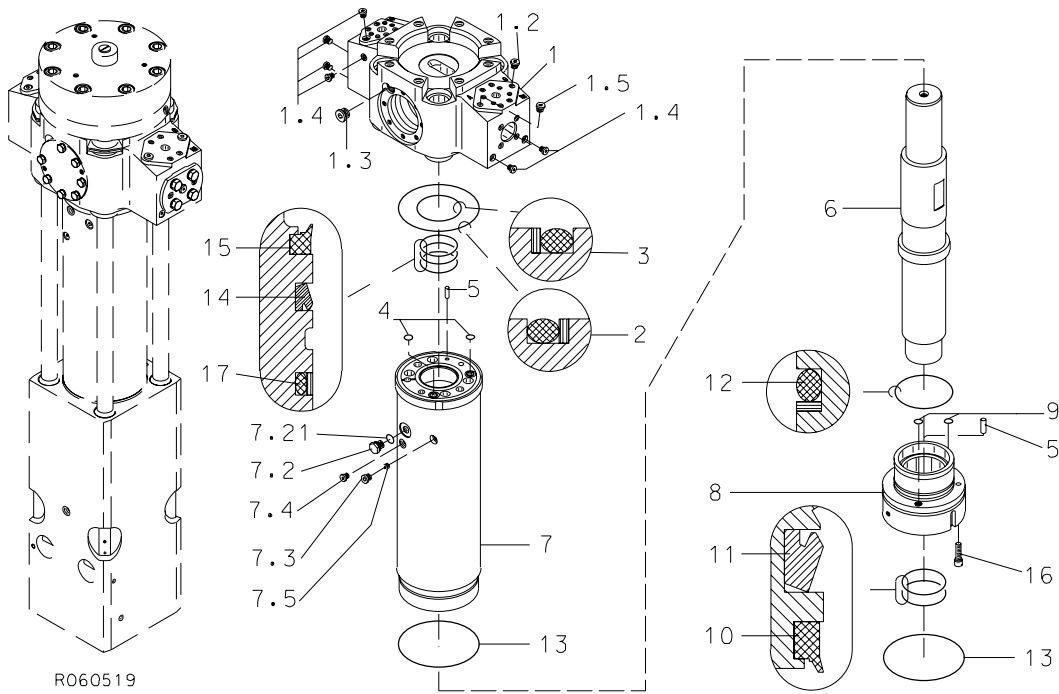


R060312



Item	Description	Part no.	Specification	Note	Qty
1	Tie rod	102785			4
2	Tie rod nut	102814			4
3	Lock plate	400480			8
4	Rubber ring	400343			4

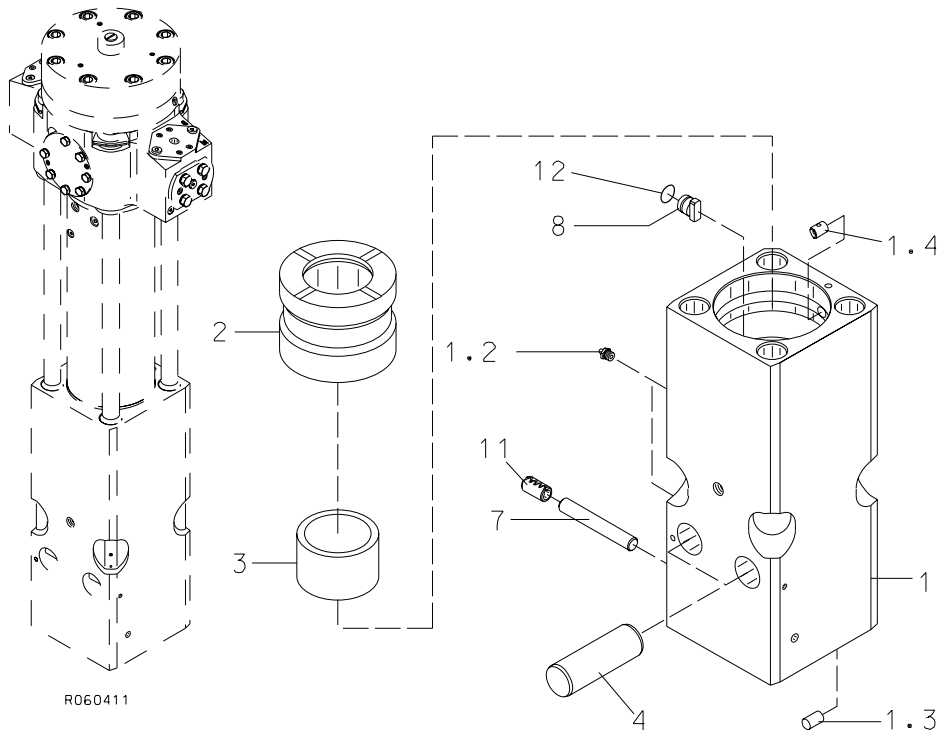
7. BODY PARTS E 65



BODY PARTS E 65

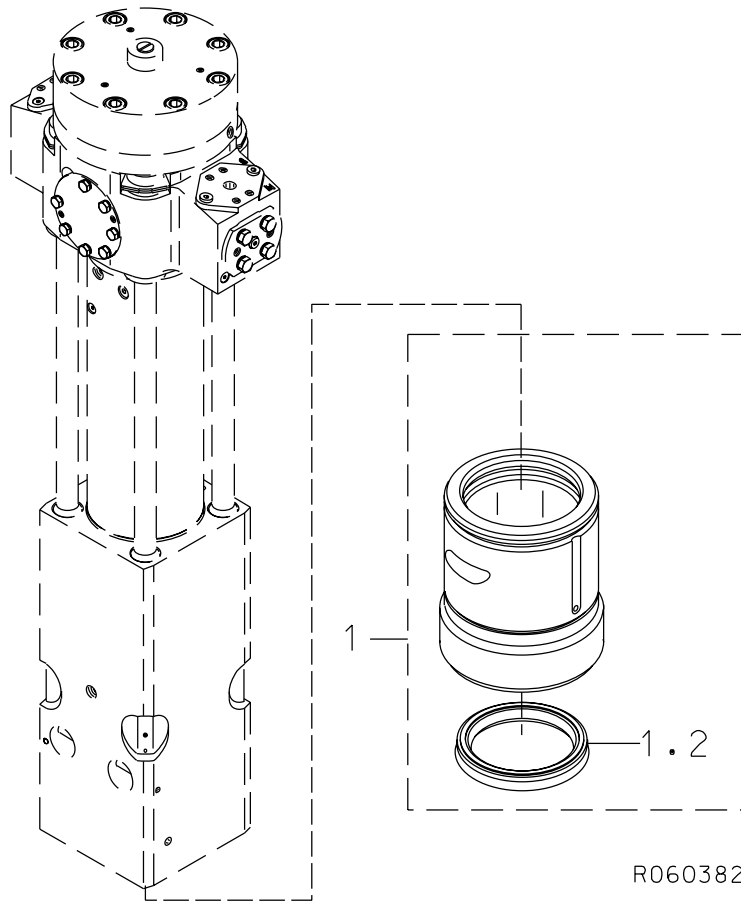
Item	Description	Part no.	Specification	Note	Qty
1	Valve body (incl. parts 1.2-1.5)	100728			1
1.2	Breather	400662			1
1.3	Flange plug	90401	R3/4		1
1.4	Flange plug	90403	R1/4		6
1.5	Flange plug	90444	R3/8		1
2	Seal	400332	D194	*	1
3	Seal	400330	D100	*	1
4	O-ring	90012	D19	*	2
5	Parallel pin	90342	10m6x30 DIN 6325		2
6	Piston	111135			1
7	Cylinder (incl. parts 7.2-7.5)	155158			1
7.2	Breather (incl. part 7.21)	101200			1
7.21	O-ring	902122	D24	*	1
7.3	Flange plug	90444	R3/8		1
7.4	Flange plug	90403	R1/4		2
7.5	Taper plug	93125	DIN 906-R1/4		1
8	Lower seal carrier	111134			1
9	O-ring	94035	D13	*	2
10	Wiper	911018	D110	*	1
11	Seal	902997	D110	*	1
12	Seal	400339	D150	*	1
13	O-ring	94077	D184	*	2
14	Seal	902996	D90	*	1
15	Wiper	911017	D90	*	1
16	Screw	150156			1
17	Seal	152689	D89	*	1
	*) Are included in seal set				

8. FRONT HEAD E 65 TUNNEL



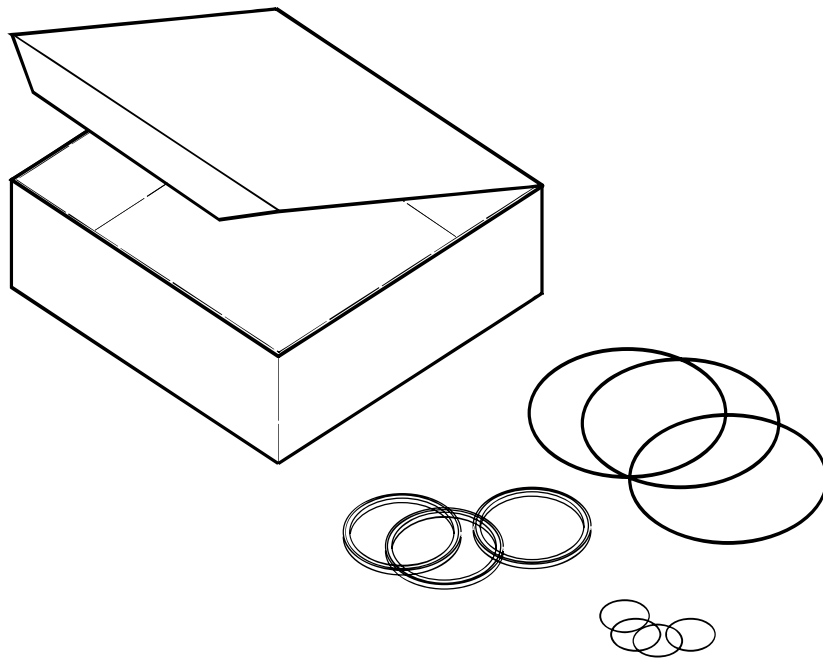
Item	Description	Part no.	Specification	Note	Qty
1	Front head (incl. parts 1.2-1.4)	111165			1
1.2	Grease nipple	90200	R1/4		2
1.3	Plug	110710			1
1.4	Plug	111161			1
2	Thrust ring	111164			1
3	Upper tool bushing	111162			1
4	Retaining pin	400315	D60		2
7	Retaining pin	400323	D25		1
8	Wedge	40110			1
11	Split pin	901136	Connex S 25x50		1
12	O-ring	90000	D24	*	1
	*) Are included in seal set				

9. LOWER TOOL BUSHING E 65



Item	Description	Part no.	Specification	Note	Qty
1	Lower tool bushing (incl. part 1.2)	110699			1
1.2	Seal	110697			1

10. SEAL SET E 65



R060012

Item	Description	Part no.	Specification	Note	Qty
Kit	Seal set (incl. parts 1-24)	106811			1
1	Usit-ring	90056	U8.7-14-1		1
2	O-ring	90030	D75		1
3	Seal	40533	D65		1
4	Seal	41374	D55		1
5	O-ring	90031	D46		1
6	O-ring	90007	D44		1
7	Seal	902668	D110		6
8	O-ring	90005	D105		2
9	Seal	400332	D194		1
10	Seal	400330	D100		1
11	O-ring	90012	D19		2
12	O-ring	94035	D13		2
13	Wiper	911018	D110		1
14	Seal	902997	D110		1
15	Seal	400339	D150		1
16	O-ring	94077	D184		2
17	Seal	902996	D90		1
18	Wiper	911017	D90		1
19	O-ring	90000	D24		1
21	Seal	40104	D114		1
22	O-ring	910006	D23		1
23	Seal	152689	D89		1
24	Seal	152815	D89		1

Sandvik Tamrock Corp., Breakers Lahti
Taivalkatu 8, P.O. Box 165, FIN-15101 Lahti, Finland
Phone Int. +358 205 44 161, Telefax Int. +358 205 44 160
www.rammer.com

54-44-14021-30-116-210
60-44-14021-36-156-357