

PARTS MANUAL
PME66NENG.603

HYDRAULIC HAMMER
RAMMER E 66 N
RAMMER E 66 N CITY
RAMMER E 66 N CITY-JET

SERIAL NO.

66BAB0312-UP

66BDB0312-UP

66BEB0312-UP

TABLE OF CONTENTS

1. Housing unit E 66 N.....	4
2. Housing unit E 66 N CITY.....	6
3. Housing unit E 66 N CITY-JET.....	8
4. Accumulator E 66 N.....	10
5. Main valve E 66 N.....	11
6. Check valve E 66 N.....	12
7. Pressure control valve E 66 N.....	14
8. Tie rods E 66 N.....	16
9. Body parts E 66 N, CITY, CITY-JET.....	18
10. Front head E 66 N, CITY, CITY-JET.....	20
11. Lower tool bushing E 66 N, CITY, CITY-JET.....	21
12. Seal set E 66 N, CITY, CITY-JET.....	22

GENUINE RAMMER SPARE PARTS

Rammer genuine spare parts are designed and manufactured by using the latest technological knowledge and engineering skills. Rammer spare parts are made of the best available materials with the most advanced manufacturing techniques.

It is important that you use only genuine Rammer spare parts, to ensure easy operation, maintenance and repair of the product. Please note that eventual warranty claims will be handled only if you have used genuine Rammer parts in your Rammer.

LOCATION OF THE SERIAL NUMBER

It's important to make correct reference to the serial number of the product when ordering spare parts. Identification of serial number is the only proper means of maintaining and identifying parts for a specific product. The location of equipment serial number is pointed in "Operation and maintenance" manual.

SPARE PART ORDERS

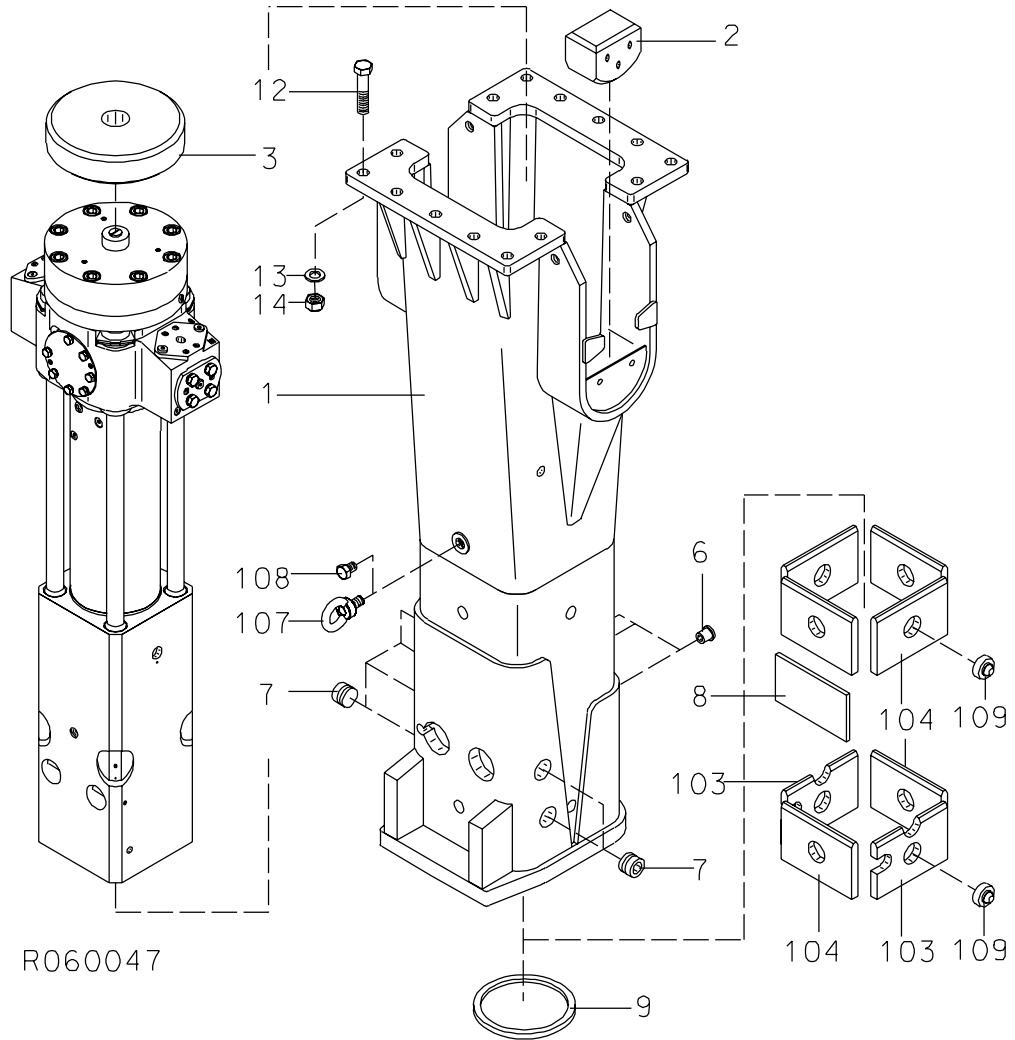
Quick spare part deliveries are secured by exact orders.

Required information:

- Name of customer and contact person
 - Order number (when available)
 - Delivery address
 - Mode of delivery (air mail etc.)
 - Required delivery date
 - Invoicing address
 - Model and serial number of the product
 - Name, number and required amount of spare parts
-

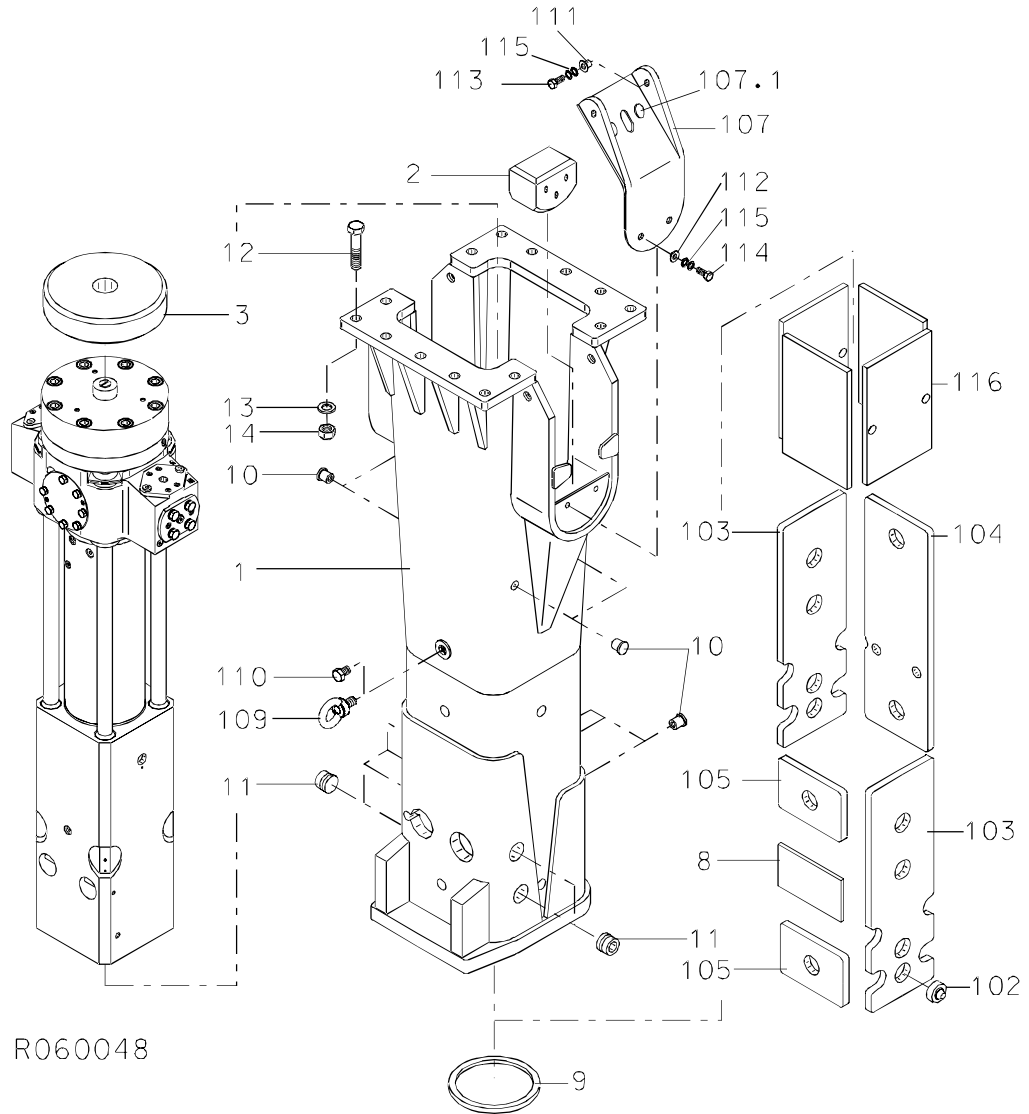
PARTS

1. HOUSING UNIT E 66 N



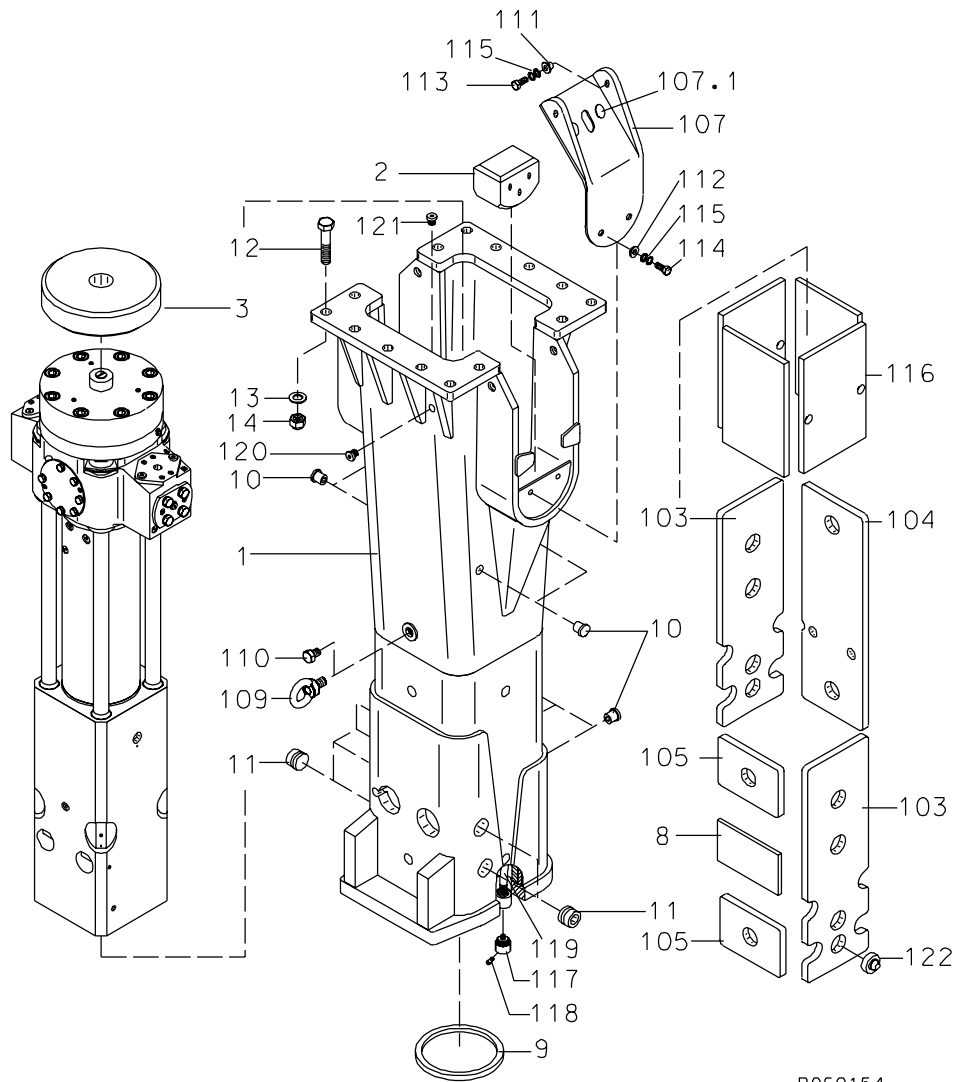
Item	Description	Part no.	Specification	Note	Qty
1	Housing (incl. parts 103-109)	103865			1
2	Pad	301001			2
3	Buffer	301000			1
6	Rubber plug	400566	D25		3
7	Rubber plug	400676	D50		6
8	Shield plate	102561			1
9	Seal	102142			1
12	Hex. screw	90589	M24x110-12.9 DIN 931		14
13	Washer	90511	25 DIN 6916		14
14	Lock nut	90507	M24-12 DIN 985		14
103	Wear plate	102753			2
104	Wear plate	102754			6
107	Lifting eye	90605	M24 DIN 580		1
108	Hex. screw	900025	M24x35-8.8 DIN 933		1
109	Pin	101133			8
Kit	Label set	104075			1

2. HOUSING UNIT E 66 N CITY



Item	Description	Part no.	Specification	Note	Qty
1	Housing (incl. parts 102-116)	102815			1
2	Pad	301001			2
3	Buffer	301000			1
8	Shield plate	102561			1
9	Seal	102142			1
10	Rubber plug	400566	D25		7
11	Rubber plug	400676	D50		6
12	Hex. screw	90589	M24x110-12.9 DIN 931		14
13	Washer	90511	25 DIN 6916		14
14	Lock nut	90507	M24-12 DIN 985		14
102	Pin	101133			8
103	Wear plate	103980			2
104	Wear plate	103979			1
105	Wear plate	103981			2
107	Shield plate (incl. part 107.1)	102980			2
107.1	Plug	103875			2
109	Lifting eye	90605	M24 DIN 580		1
110	Hex. screw	900025	M24x35-8.8 DIN 933		1
111	Middle bushing	102944			4
112	Middle bushing	102939			4
113	Hex. screw	91050	M12x40-8.8 DIN 933		4
114	Hex. screw	90513	M12x30-8.8 DIN 933		4
115	Lock washer	91012	M12 NORD-LOCK		8
116	Damper plate	102560			4
Kit	Label set	104161			1

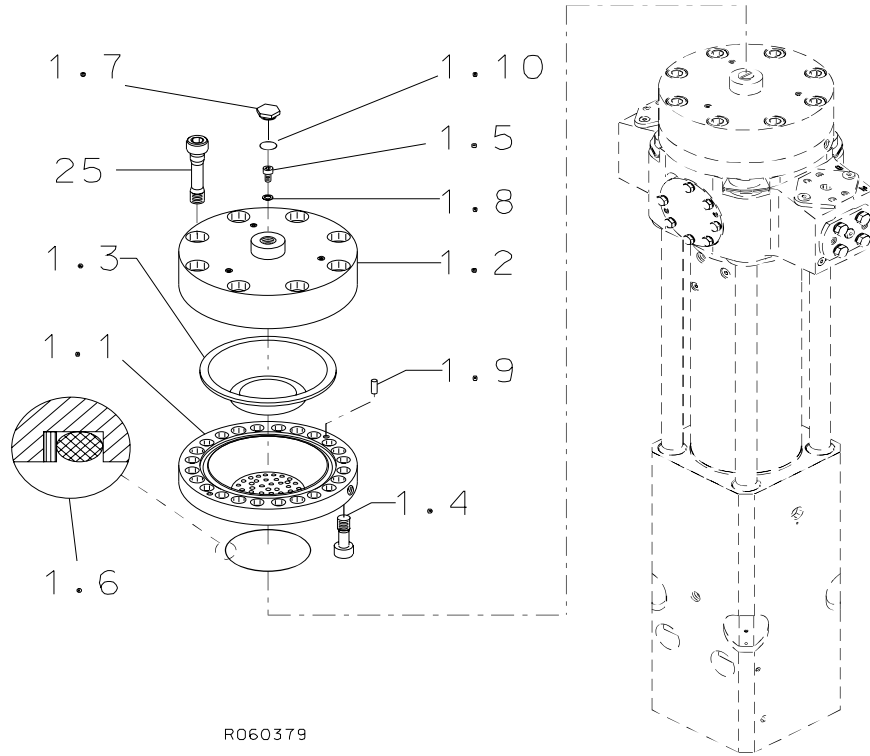
3. HOUSING UNIT E 66 N CITY-JET



R060154

Item	Description	Part no.	Specification	Note	Qty
1	Housing (incl. parts 103-122)	104300			1
2	Pad	301001			2
3	Buffer	301000			1
8	Shield plate	102561			1
9	Seal	102142			1
10	Rubber plug	400566	D25		7
11	Rubber plug	400676	D50		6
12	Hex. screw	90589	M24x110-12.9 DIN 931		14
13	Washer	90511	25 DIN 6916		14
14	Lock nut	90507	M24-12 DIN 985		14
103	Wear plate	104325			2
104	Wear plate	103979			1
105	Wear plate	103981			2
107	Shield plate (incl. part 107.1)	102980			2
107.1	Plug	103875			2
109	Lifting eye	90605	M24 DIN 580		1
110	Hex. screw	900025	M24x35-8.8 DIN 933		1
111	Middle bushing	102944			4
112	Middle bushing	102939			4
113	Hex. screw	91050	M12x40-8.8 DIN 933		4
114	Hex. screw	90513	M12x30-8.8 DIN 933		4
115	Lock washer	91012	M12 NORD-LOCK		8
116	Damper plate	102560			4
117	Guide	103047			2
118	Nozzle	102783	SSCO B1/8-GG-SS5		2
119	Hose assembly	104326			1
120	Flange plug	90424	R1/2		1
121	Flange plug	90403	R1/4		1
122	Pin	101133			8
Kit	Label set	106135			1

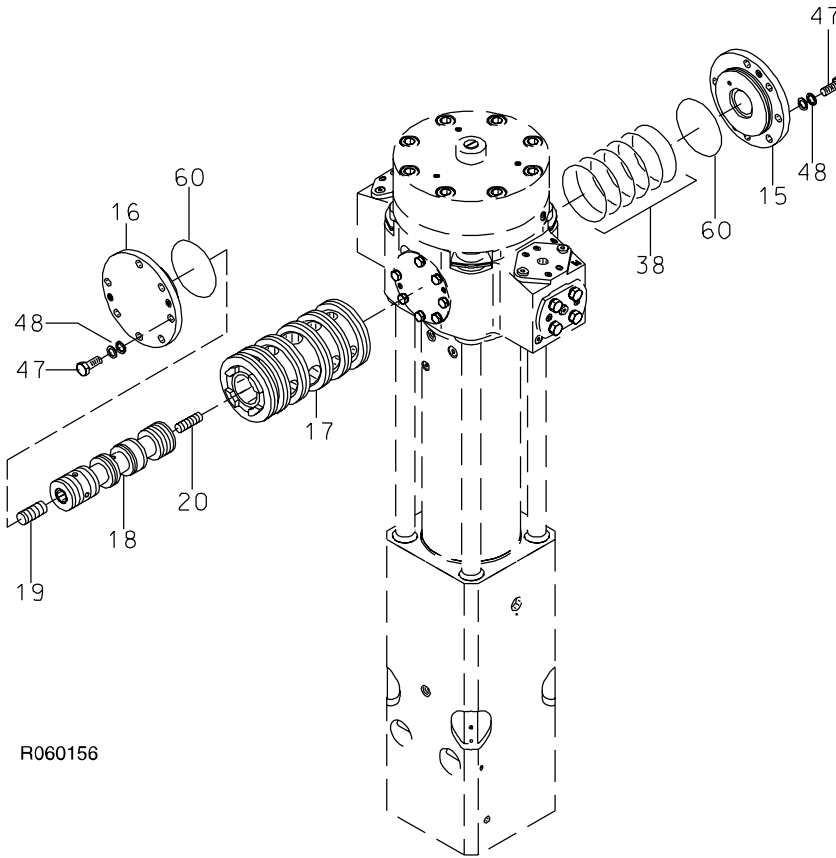
4. ACCUMULATOR E 66 N



R060379

Item	Description	Part no.	Specification	Note	Qty
1	Accumulator (incl. parts 1.1-1.10)	300997			1
1.1	Accumulator bottom	100303			1
1.2	Accumulator cover	100716			1
1.3	Membrane	30211			1
1.4	Accumulator screw	40416			16
1.5	Filling plug	40368			1
1.6	Seal	40104	D114	*	1
1.7	Shield plug	154015			1
1.8	Usit-ring	90056	U8.7-14-1	*	1
1.9	Parallel pin	90304	10m6x24 DIN 6325		2
1.10	O-ring	910006	D23	*	1
25	Accumulator screw	301018			8
	*) Are included in seal set				

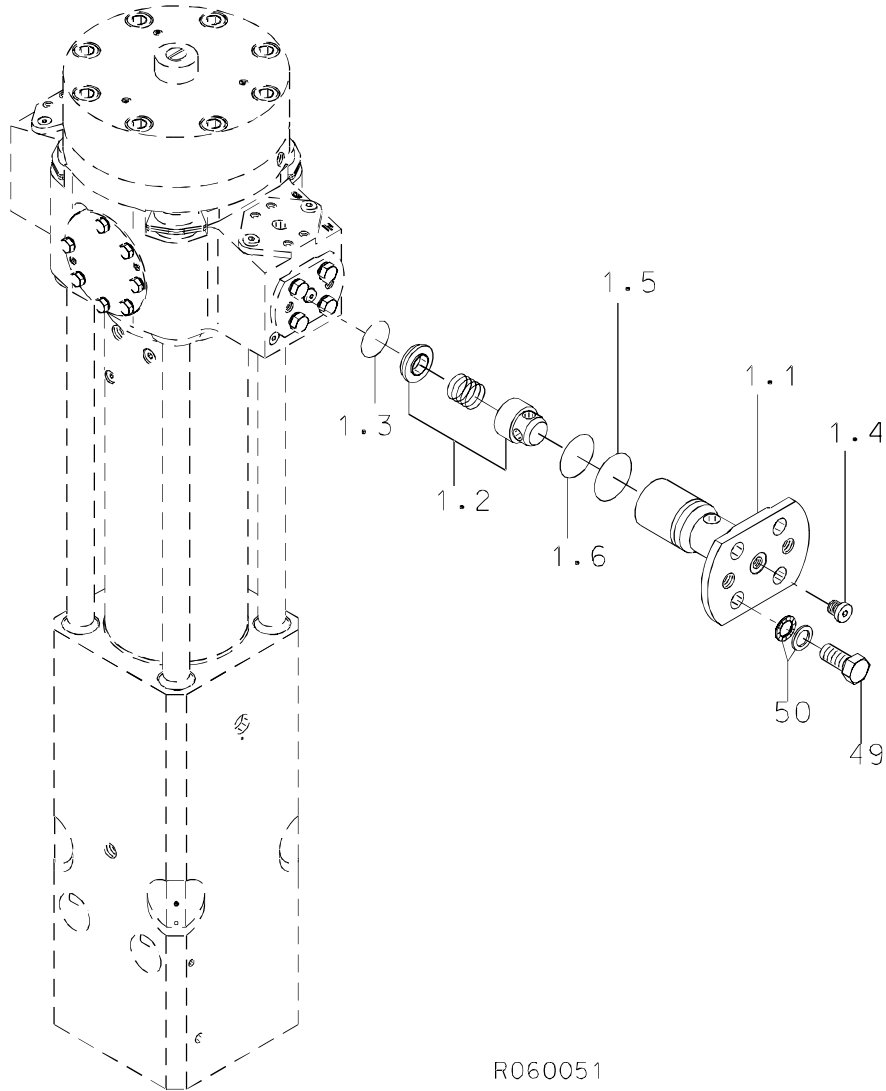
5. MAIN VALVE E 66 N



R060156

Item	Description	Part no.	Specification	Note	Qty
15	Cover	300459			1
16	Cover	300458			1
17	Main valve bushing	103841			1
18	Main spool	103523	D50		1
19	Spool	40111	D20		1
20	Spool	103199	D15		1
38	Seal	902668	D110	*	6
47	Hex. screw	900023	M12x30-10.9 DIN 933		14
48	Lock washer	91012	M12 NORD-LOCK		14
60	O-ring	90005	D105	*	2
	*) Are included in seal set				

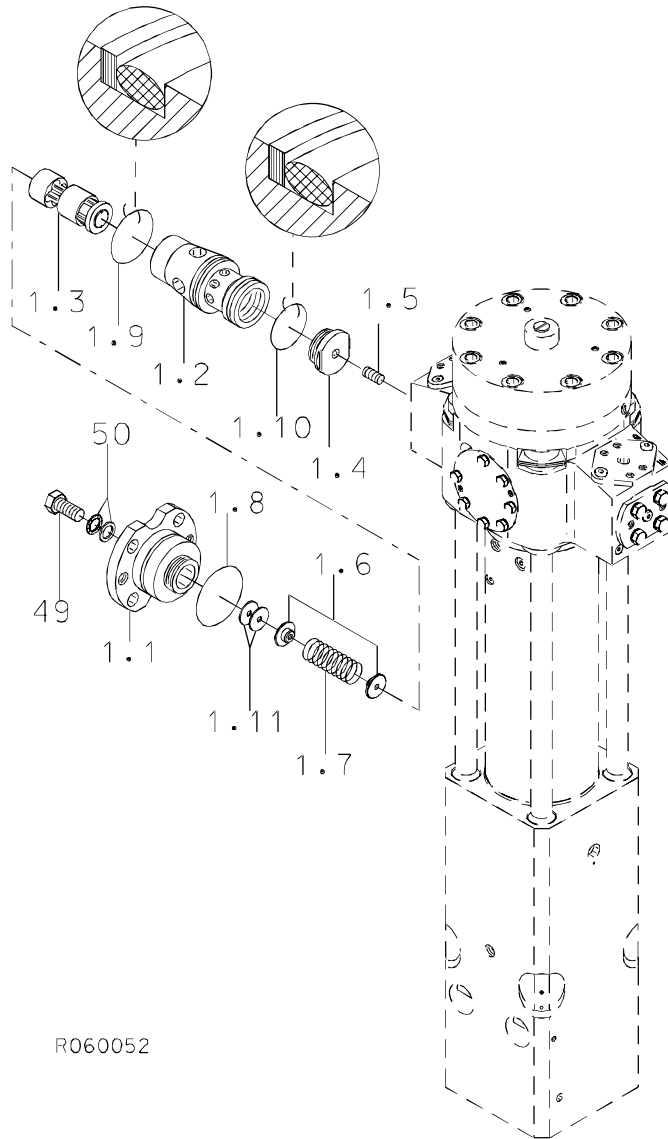
6. CHECK VALVE E 66 N



R060051

Item	Description	Part no.	Specification	Note	Qty
1	Check valve (incl. parts 1.1-1.6, 49 and 50)	40587			1
1.1	Check valve housing	30272			1
1.2	Check valve	90432			1
1.3	Spring ring	90310	B38 DIN 7993		1
1.4	Flange plug	90403	R1/4		1
1.5	O-ring	90031	D46	*	1
1.6	O-ring	90007	D44	*	1
49	Hex. screw	90517	M16x35-8.8 DIN 933		4
50	Lock washer	90597	M16 NORD-LOCK		4
	*) Are included in seal set				

7. PRESSURE CONTROL VALVE E 66 N

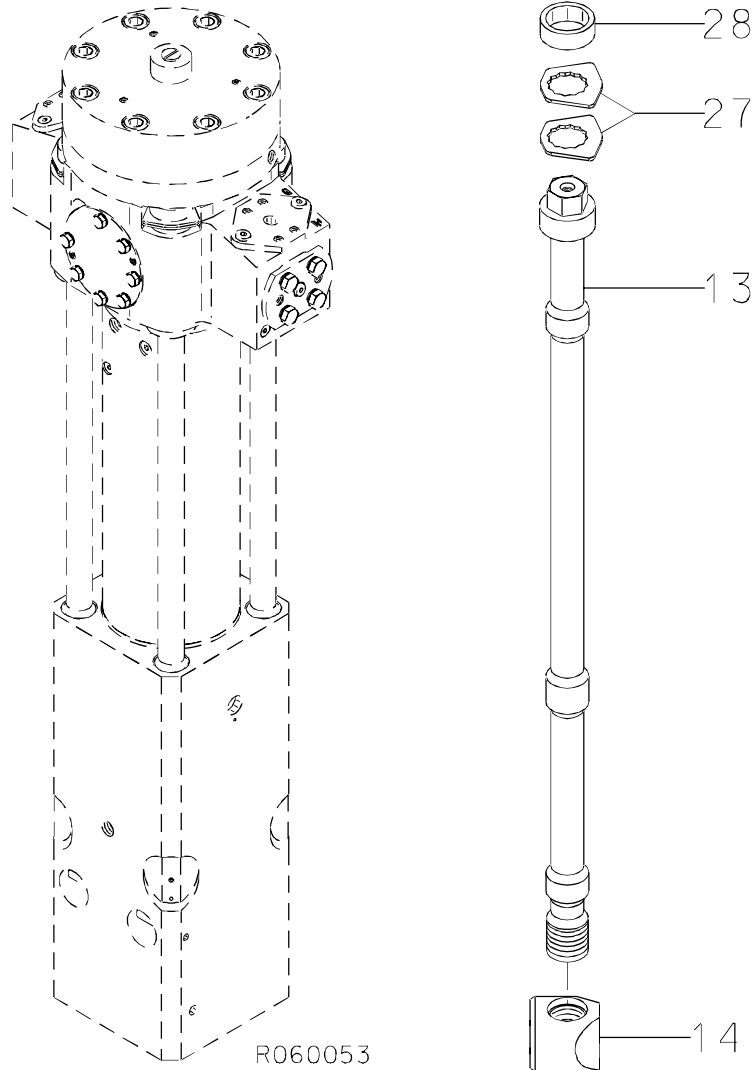


R060052

PRESSURE CONTROL VALVE E 66 N

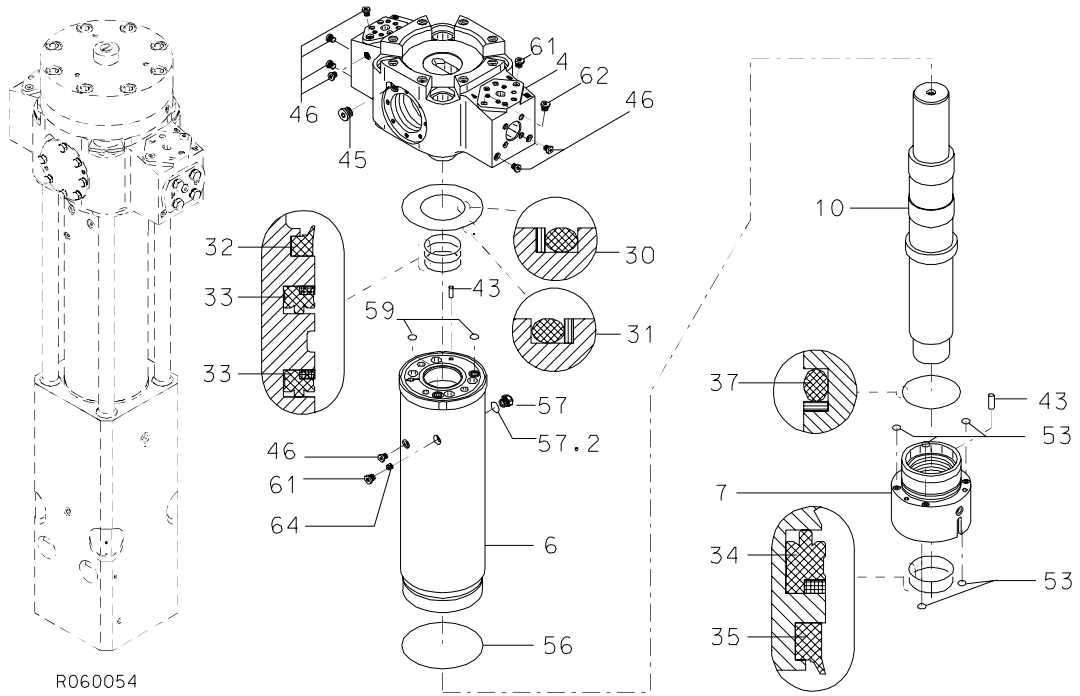
Item	Description	Part no.	Specification	Note	Qty
1	Pressure control valve (incl. parts 1.1-1.11, 49 and 50)	300442			1
1.1	Cover	300445			1
1.2	Valve body	300443			1
1.3	Spool	300444			1
1.4	Guide	400320			1
1.5	Spool	400321	D15		1
1.6	Spring guide	42174			2
1.7	Spring	920009			1
1.8	O-ring	90030	D75	*	1
1.9	Seal	40533	D65	*	1
1.10	Seal	41374	D55	*	1
1.11	Shim plate	42361	S=1.5		x
1.11	Shim plate	42362	S=1.25		x
1.11	Shim plate	42363	S=0.9		x
49	Hex. screw	90517	M16x35-8.8 DIN 933		4
50	Lock washer	90597	M16 NORD-LOCK		4
	*) Are included in seal set				

8. TIE RODS E 66 N



Item	Description	Part no.	Specification	Note	Qty
13	Tie rod	102785			4
14	Tie rod nut	102814			4
27	Lock plate	400480			8
28	Rubber ring	400343			4

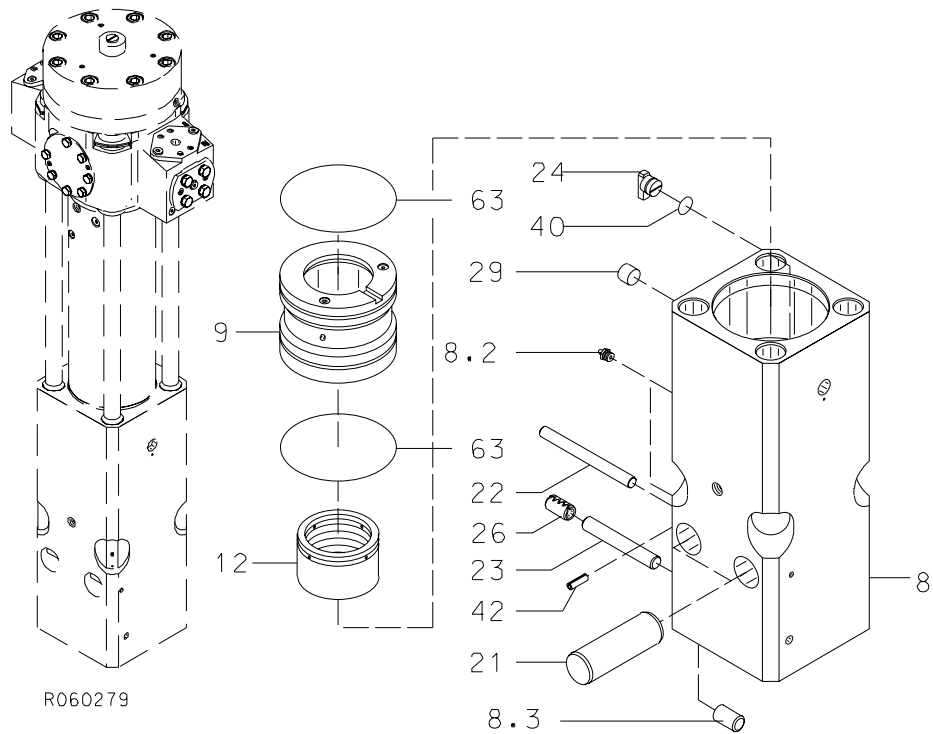
9. BODY PARTS E 66 N, CITY, CITY-JET



BODY PARTS E 66 N, CITY, CITY-JET

Item	Description	Part no.	Specification	Note	Qty
4	Valve body (incl. parts 45, 46, 61 and 62)	100728			1
6	Cylinder (incl. parts 46, 61, 57 and 65)	103413			1
7	Lower seal carrier	103449			1
10	Piston	103526			1
30	Seal	400330	D100	*	1
31	Seal	400332	D194	*	1
32	Wiper	911017	D90	*	1
33	Seal	911015	D90	*	2
34	Seal	911016	D110	*	1
35	Wiper	911018	D110	*	1
37	Seal	400339	D150	*	1
43	Parallel pin	90342	10m6x30 DIN 6325		2
45	Flange plug	90401	R3/4		1
46	Flange plug	90403	R1/4		7
53	O-ring	94035	D13	*	5
56	O-ring	94133	D189	*	1
57	Breather (incl. part 57.2)	101200			1
57.2	O-ring	902122	D24	*	1
59	O-ring	90012	D19	*	2
61	Flange plug	90444	R3/8		2
62	Breather	400662			1
64	Taper plug	93125	DIN 906-R1/4		1
	*) Are included in seal set				

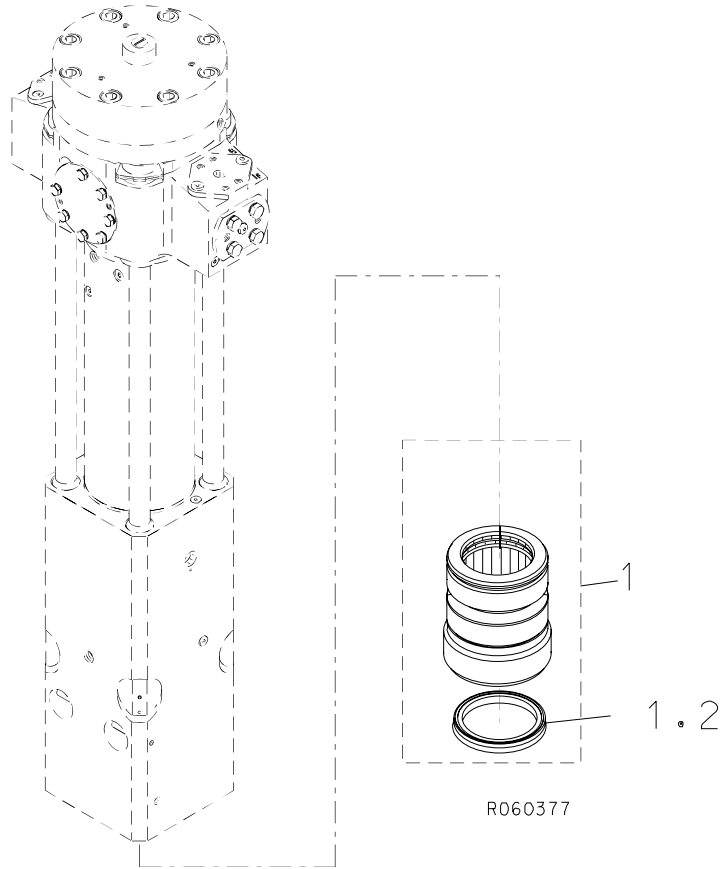
10. FRONT HEAD E 66 N, CITY, CITY-JET



R060279

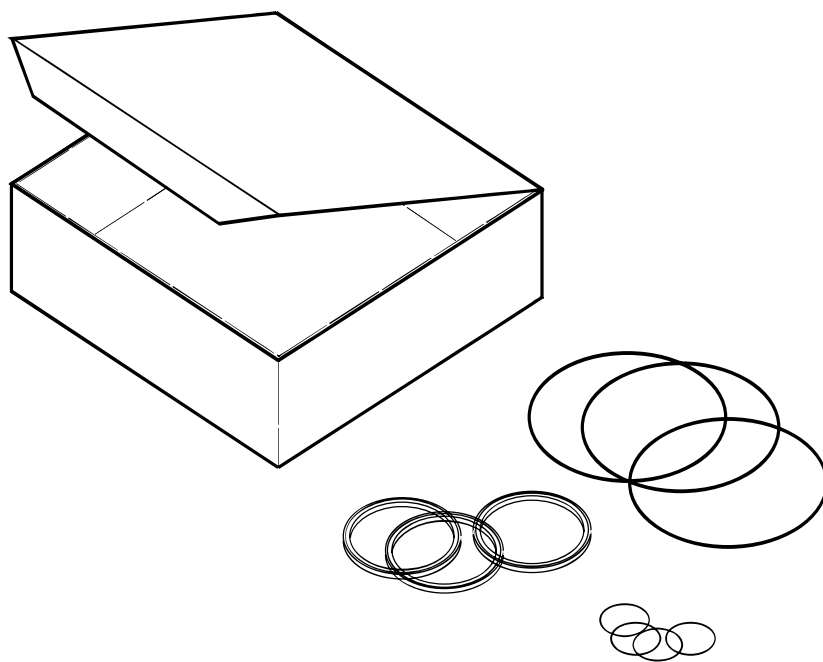
Item	Description	Part no.	Specification	Note	Qty
8	Front head (incl. parts 8.2-8.3)	110715			1
8.2	Grease nipple	90200	R1/4		2
8.3	Plug	110710			1
9	Thrust ring	110911			1
12	Upper tool bushing	400336			1
21	Retaining pin	400315	D60		2
22	Retaining pin	400317	D20		1
23	Retaining pin	400323	D25		1
24	Wedge	400528			1
26	Split pin	901136	D25x50		1
29	Plug	40116			1
40	O-ring	90000	D24	*	1
42	Split pin	90321	12x40 DIN 1481		1
63	O-ring	94071	D184	*	2
	*) Are included in seal set				

11. LOWER TOOL BUSHING E 66 N, CITY, CITY-JET



Item	Description	Part no.	Specification	Note	Qty
1	Lower tool bushing (incl. part 1.2)	102155			1
1.2	Seal	102146			1

12. SEAL SET E 66 N, CITY, CITY-JET



R060012

SEAL SET E 66 N, CITY, CITY-JET

Item	Description	Part no.	Specification	Note	Qty
Kit	Seal set (incl. parts 1-25)	103988			1
2	Seal	400330	D100		1
3	Seal	400332	D194		1
4	Wiper	911017	D90		1
5	Seal	911015	D90		2
6	Seal	911016	D110		1
7	Wiper	911018	D110		1
8	Seal	400339	D150		1
9	Seal	902668	D110		6
10	O-ring	90000	D24		1
11	O-ring	94035	D13		5
12	O-ring	94133	D189		1
13	O-ring	902122	D24		1
14	O-ring	90012	D19		2
15	O-ring	90005	D105		2
16	O-ring	94071	D184		2
17	Seal	40104	D114		1
18	Usit-ring	90056	U8.7-14-1		1
19	O-ring	901026	D14		1
20	O-ring	90030	D75		1
21	Seal	40533	D65		1
22	Seal	41374	D55		1
23	O-ring	90031	D46		1
24	O-ring	90007	D44		1
25	O-ring	910006	D23		1

SANDVIK TAMROCK CORP.
Breakers Lahti
Taivalkatu 8, P.O. Box 165, FIN-15101 Lahti, Finland
Phone Int. +358 205 44 161, Telefax Int. +358 205 44 160,
Internet <http://www.rammer.com>