

ENG 9/03

PARTS MANUAL
PMG100SCCENG.903

HYDRAULIC HAMMER
RAMMER G 100
RAMMER G 100 CITY
RAMMER G 100 CITY-JET

Serial No.

10AAB0234-UP

10ADB0234-UP

10AEB0234-UP

TABLE OF CONTENTS

1. Housing unit G 100	4
2. Housing unit G 100 CITY	6
3. Housing unit G 100 CITY-JET	8
4. Accumulator G 100	10
5. Main valve G 100	11
6. Check valve G 100	12
7. Pressure control valve G 100	13
8. Tie rods G 100	14
9. Body parts G 100	16
10. Front head G 100	18
11. Lower tool bushing G 100	20
12. Seal set G 100	21

GENUINE RAMMER SPARE PARTS

Rammer genuine spare parts are designed and manufactured by using the latest technological knowledge and engineering skills. Rammer spare parts are made of the best available materials with the most advanced manufacturing techniques.

It is important that you use only genuine Rammer spare parts, to ensure easy operation, maintenance and repair of the product. Please note that eventual warranty claims will be handled only if you have used genuine Rammer parts in your Rammer.

LOCATION OF THE SERIAL NUMBER

It's important to make correct reference to the serial number of the product when ordering spare parts. Identification of serial number is the only proper means of maintaining and identifying parts for a specific product. The location of equipment serial number is pointed in "Operation and maintenance" manual.

SPARE PART ORDERS

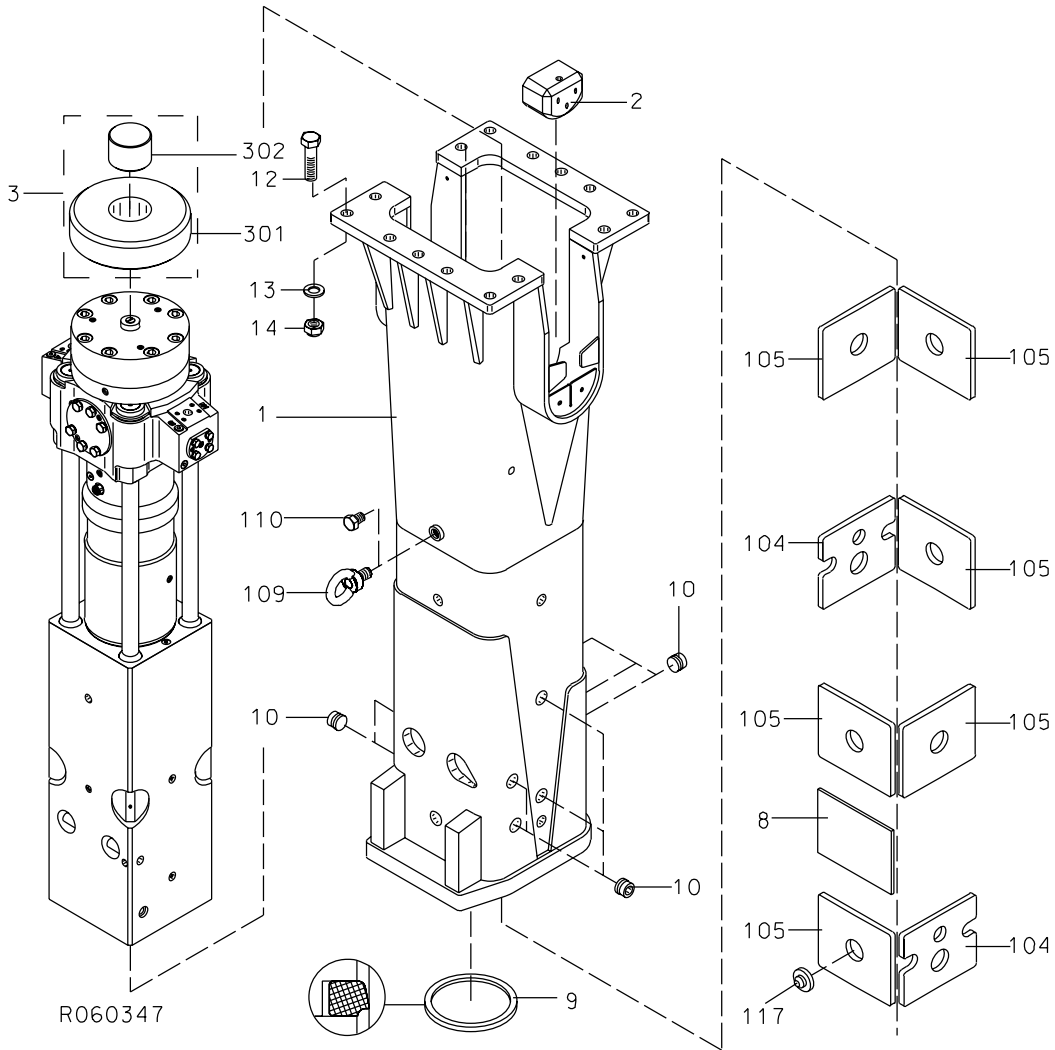
Quick spare part deliveries are secured by exact orders.

Required information:

- Name of customer and contact person
 - Order number (when available)
 - Delivery address
 - Mode of delivery (air mail etc.)
 - Required delivery date
 - Invoicing address
 - Model and serial number of the product
 - Name, number and required amount of spare parts
-

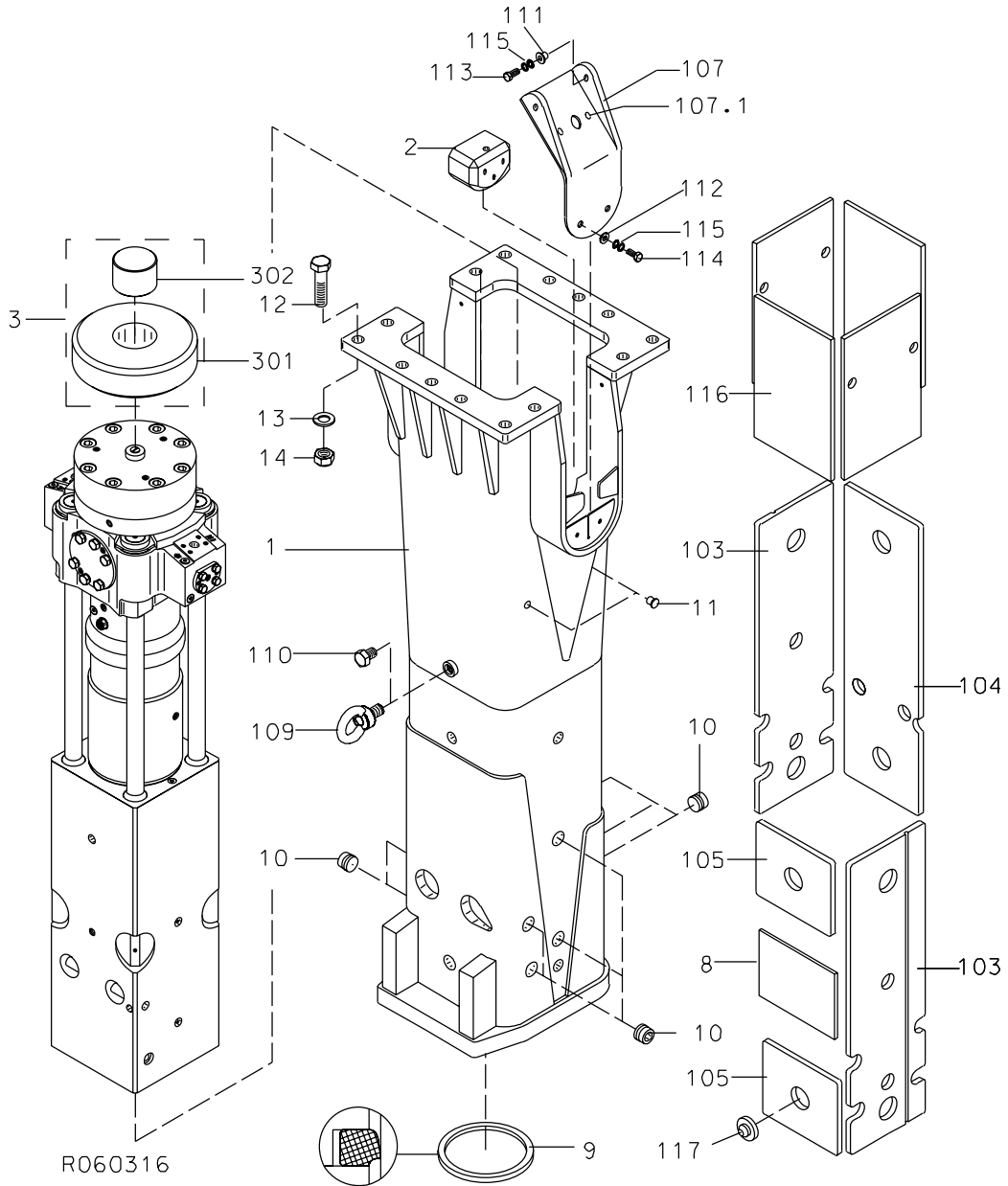
PARTS

1. HOUSING UNIT G 100



Item	Description	Part no.	Specification	Note	Qty
1	Housing (incl. parts 104-117)	104262			1
2	Pad	300641			2
3	Buffer (incl. parts 301 and 302)	300642			1
8	Shield plate	102565			1
9	Seal	102144			1
10	Rubber plug	400676	D50		9
12	Hex. screw	90520	M36x140-8.8 DIN 931		14
13	Washer	90521	39 DIN 126		14
14	Lock nut	90519	M36-8 DIN 985		14
104	Wear plate	102643			2
105	Wear plate	102644			6
109	Lifting eye	901464	M36 DIN 580		1
110	Hex. screw	901465	M36x40-8.8 DIN 933		1
117	Pin	102389			8
301	Buffer	101689			1
302	Pin	101342			1
Kit	Label set	104348			1

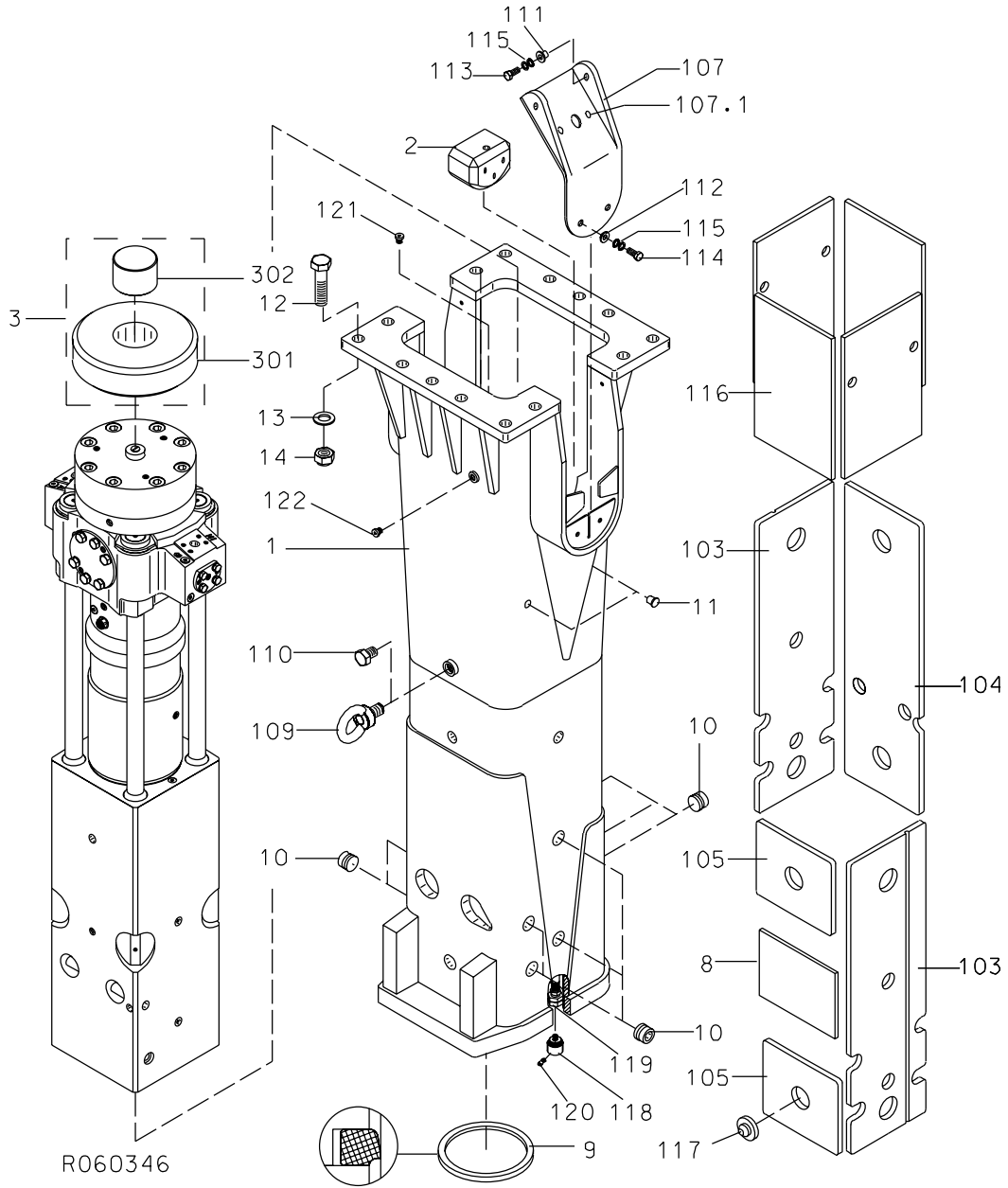
2. HOUSING UNIT G 100 CITY



HOUSING UNIT G 100 CITY

Item	Description	Part no.	Specification	Note	Qty
1	Housing (incl. parts 103-117)	104067			1
2	Pad	300641			2
3	Buffer (incl. parts 301 and 302)	300642			1
8	Shield plate	102565			1
9	Seal	102144			1
10	Rubber plug	400676	D50		9
11	Rubber plug	400566	D25		4
12	Hex. screw	90520	M36x140-8.8 DIN 931		14
13	Washer	90521	39 DIN 126		14
14	Lock nut	90519	M36-8 DIN 985		14
103	Wear plate	104126			2
104	Wear plate	104125			1
105	Wear plate	104124			2
107	Shield plate (incl. part 107.1)	102945			2
107.1	Plug	103875			2
109	Lifting eye	901464	M36 DIN 580		1
110	Hex. screw	901465	M36x40-8.8 DIN 933		1
111	Middle bushing	102944			4
112	Middle bushing	102939			4
113	Hex. screw	91050	M12x40-8.8 DIN 933		4
114	Hex. screw	90513	M12x30-8.8 DIN 933		4
115	Lock washer	91012	M12 NORD-LOCK		8
116	Damper plate	102564			4
117	Pin	102389			2
301	Buffer	101689			1
302	Pin	101342			1
Kit	Label set	104349			1

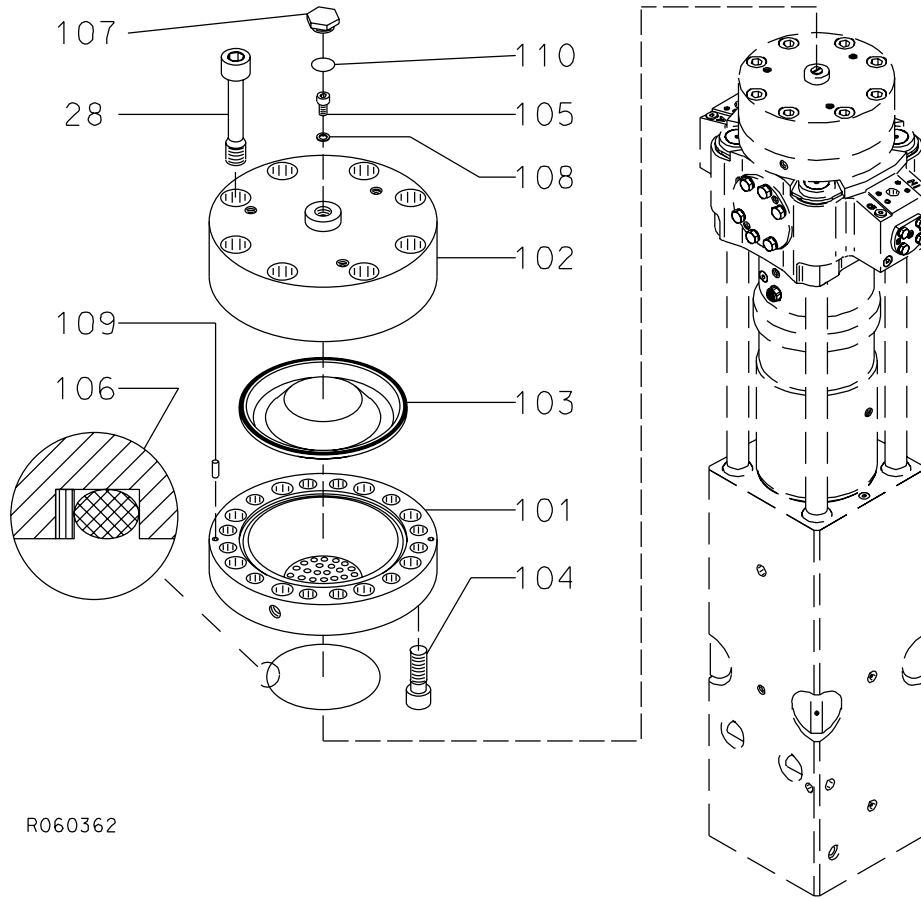
3. HOUSING UNIT G 100 CITY-JET



HOUSING UNIT G 100 CITY-JET

Item	Description	Part no.	Specification	Note	Qty
1	Housing (incl. parts 103-122)	104121			1
2	Pad	300641			2
3	Buffer (incl. parts 301 and 302)	300642			1
8	Shield plate	102565			1
9	Seal	102144			1
10	Rubber plug	400676	D50		9
11	Rubber plug	400566	D25		4
12	Hex. screw	90520	M36x140-8.8 DIN 931		14
13	Washer	90521	39 DIN 126		14
14	Lock nut	90519	M36-8 DIN 985		14
103	Wear plate	104126			2
104	Wear plate	104125			1
105	Wear plate	104124			2
107	Shield plate (incl. part 107.1)	102945			2
107.1	Plug	103875			2
109	Lifting eye	901464	M36 DIN 580		1
110	Hex. screw	901465	M36x40-8.8 DIN 933		1
111	Middle bushing	102944			4
112	Middle bushing	102939			4
113	Hex. screw	91050	M12x40-8.8 DIN 933		4
114	Hex. screw	90513	M12x30-8.8 DIN 933		4
115	Lock washer	91012	M12 NORD-LOCK		8
116	Damper plate	102564			4
117	Pin	102389			2
118	Guide	103047			2
119	Hose assembly	104122			1
120	Nozzle	102783			2
121	Plug	90403	G1/4		1
122	Plug	90424	G1/2		1
301	Buffer	101689			1
302	Pin	101342			1
Kit	Label set	104349			1

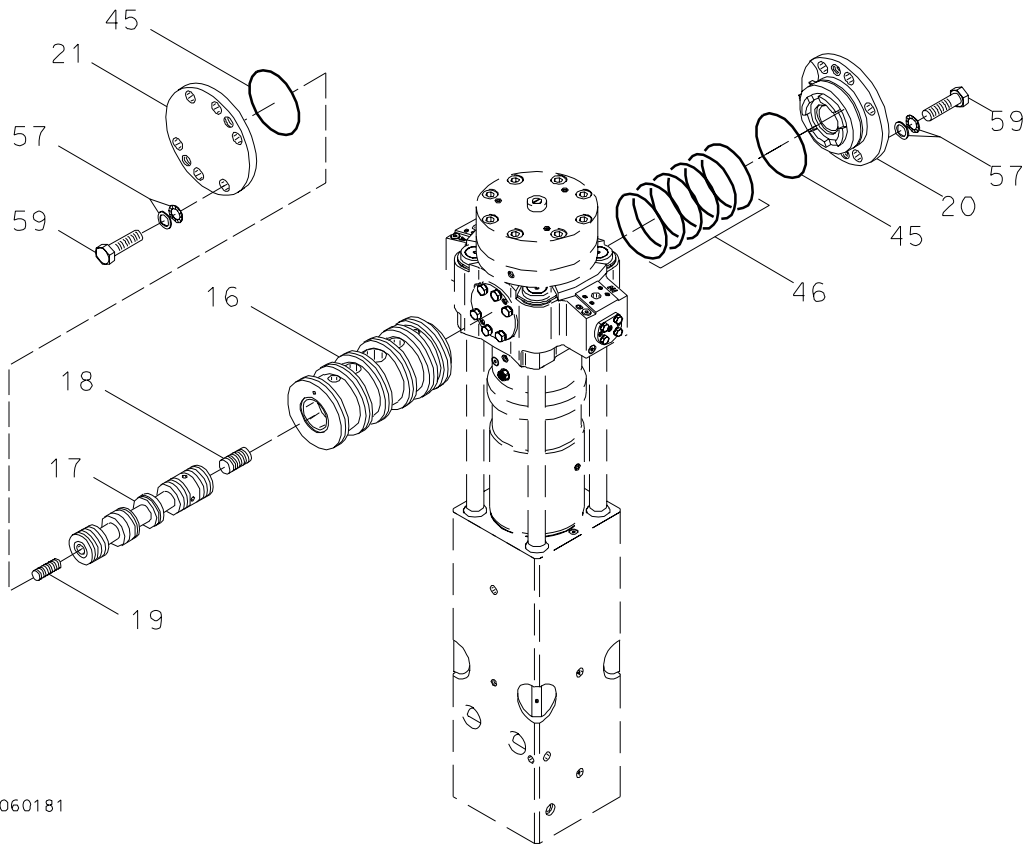
4. ACCUMULATOR G 100



R060362

Item	Description	Part no.	Specification	Note	Qty
1	Accumulator (incl. parts 101-110)	110561			1
101	Accumulator bottom	110560			1
102	Accumulator cover	100491			1
103	Membrane	104022			1
104	Accumulator screw	40528			12
105	Filling plug	40368			1
106	Seal	40536	D144	*	1
107	Shield plug	154015			1
108	Usit-ring	90056	U8.7-14-1	*	1
109	Parallel pin	90304	10m6x24 DIN 6325		2
110	O-ring	910006	D23	*	1
28	Accumulator screw	300711			8
	*) Are included in seal set				

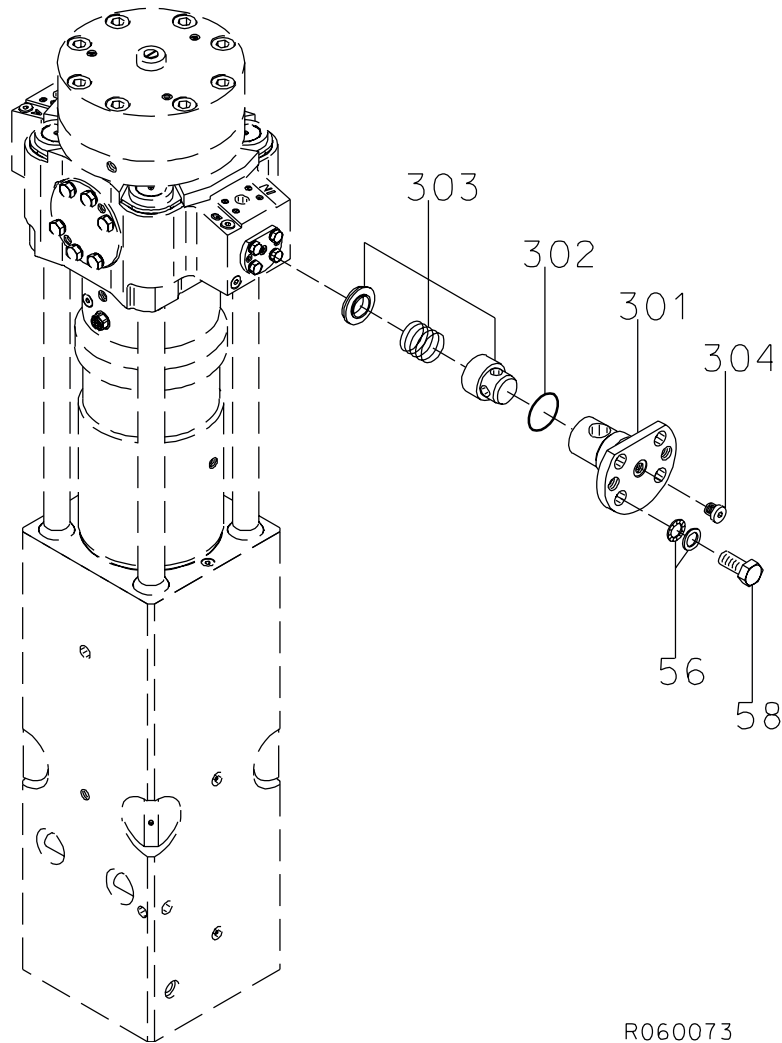
5. MAIN VALVE G 100



R060181

Item	Description	Part no.	Specification	Note	Qty
16	Main valve bushing	104186			1
17	Main spool	300921			1
18	Spool	400649			1
19	Spool	40523			1
20	Cover	30260			1
21	Cover	30295			1
45	O-ring	90032	D120	*	2
46	Seal	902644		*	6
57	Lock washer	91010	M20 NORD-LOCK		12
59	Hex. screw	900036	M20x70-10.9 DIN 931		12
	*) Are included in seal set				

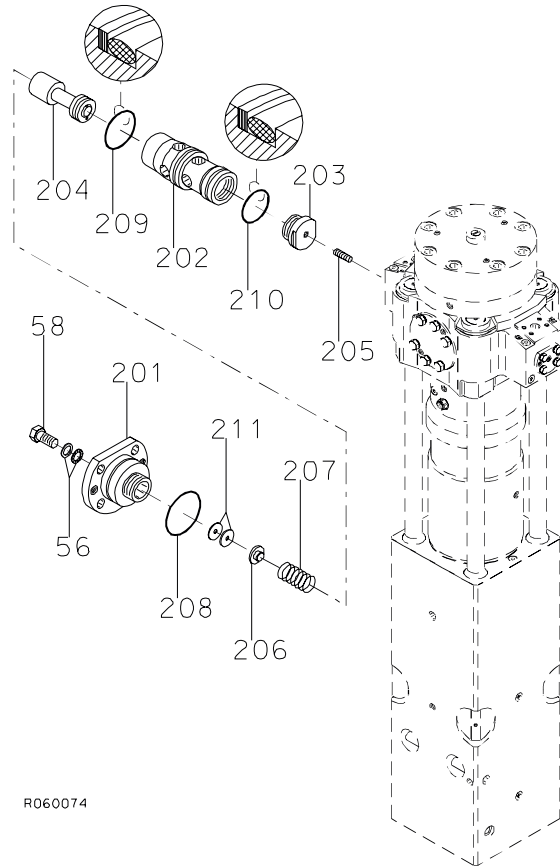
6. CHECK VALVE G 100



R060073

Item	Description	Part no.	Specification	Note	Qty
3	Check valve (incl. parts 301-304)	300725			1
301	Cover	300696			1
302	O-ring	90007	D44	*	1
303	Check valve	915077			1
304	Flange plug	90403	R1/4		1
56	Lock washer	90597	M16 NORD-LOCK		4
58	Hex. screw	90517	M16x35-8.8 DIN 933		4
	*) Are included in seal set				

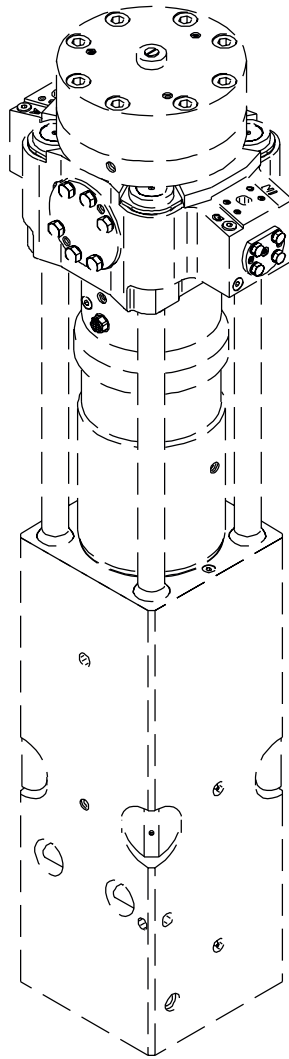
7. PRESSURE CONTROL VALVE G 100



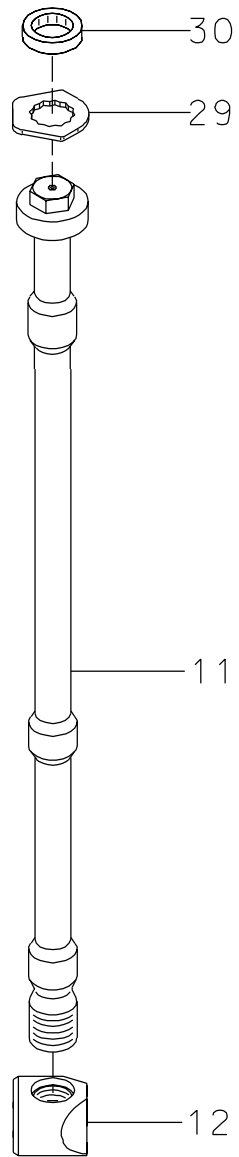
R060074

Item	Description	Part no.	Specification	Note	Qty
2	Pressure control valve (incl. parts 201-211)	300723			1
201	Cover	300871			1
202	Valve housing	300814			1
203	Guide	400581			1
204	Spool	300866			1
205	Spool	400582			1
206	Spring guide	42174			1
207	Spring	90118			1
208	O-ring	90030	D75	*	1
209	Seal	40533	D65	*	1
210	Seal	41374	D55	*	1
211	Shim plate	42363	S=0.9		X
211	Shim plate	42362	S=1.25		X
211	Shim plate	42361	S=1.5		X
56	Lock washer	90597	M16 NORD-LOCK		4
58	Hex. screw	90517	M16x35-8.8 DIN 933		4
	*) Are included in seal set				

8. TIE RODS G 100



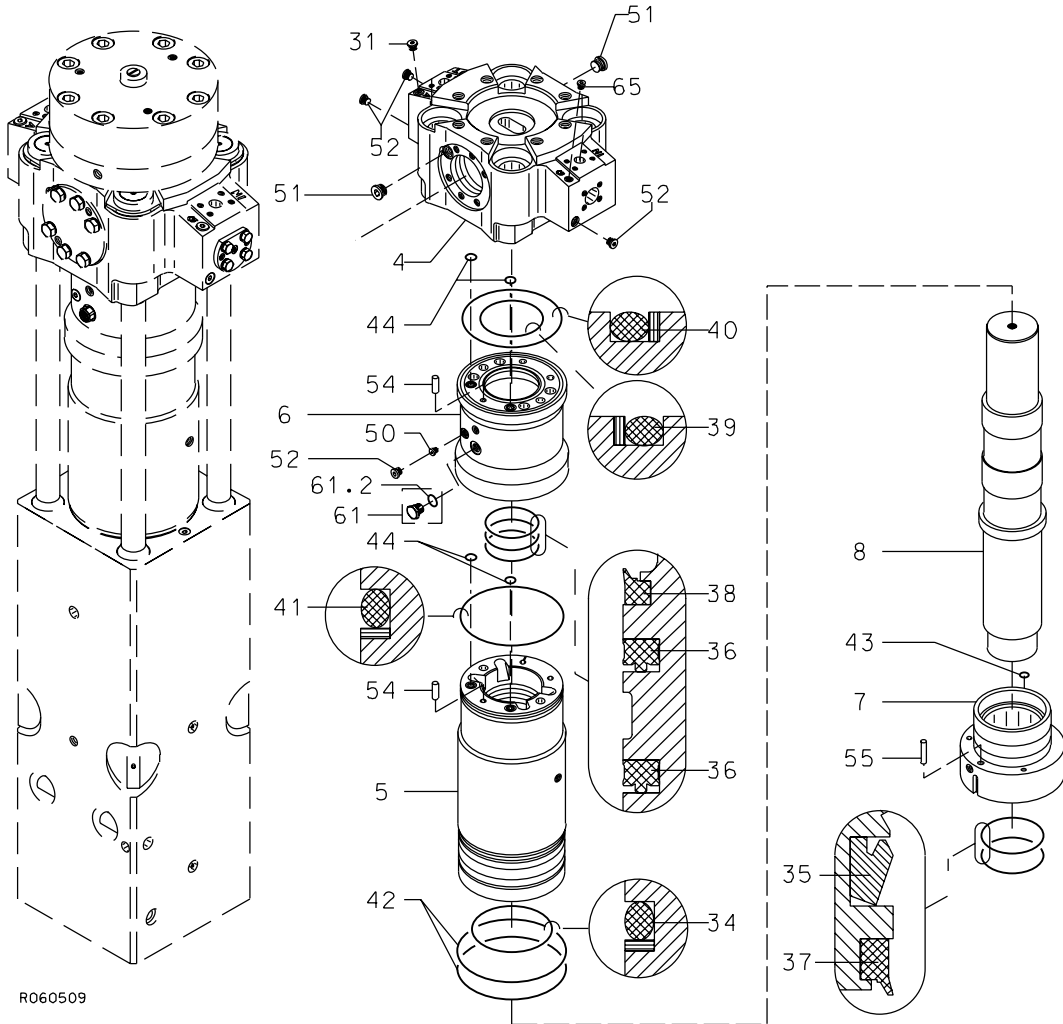
R060075



TIE RODS G 100

Item	Description	Part no.	Specification	Note	Qty
11	Tie rod	103777			4
12	Tie rod nut	112491			4
29	Lock plate	400478			4
30	Rubber ring	40586			4

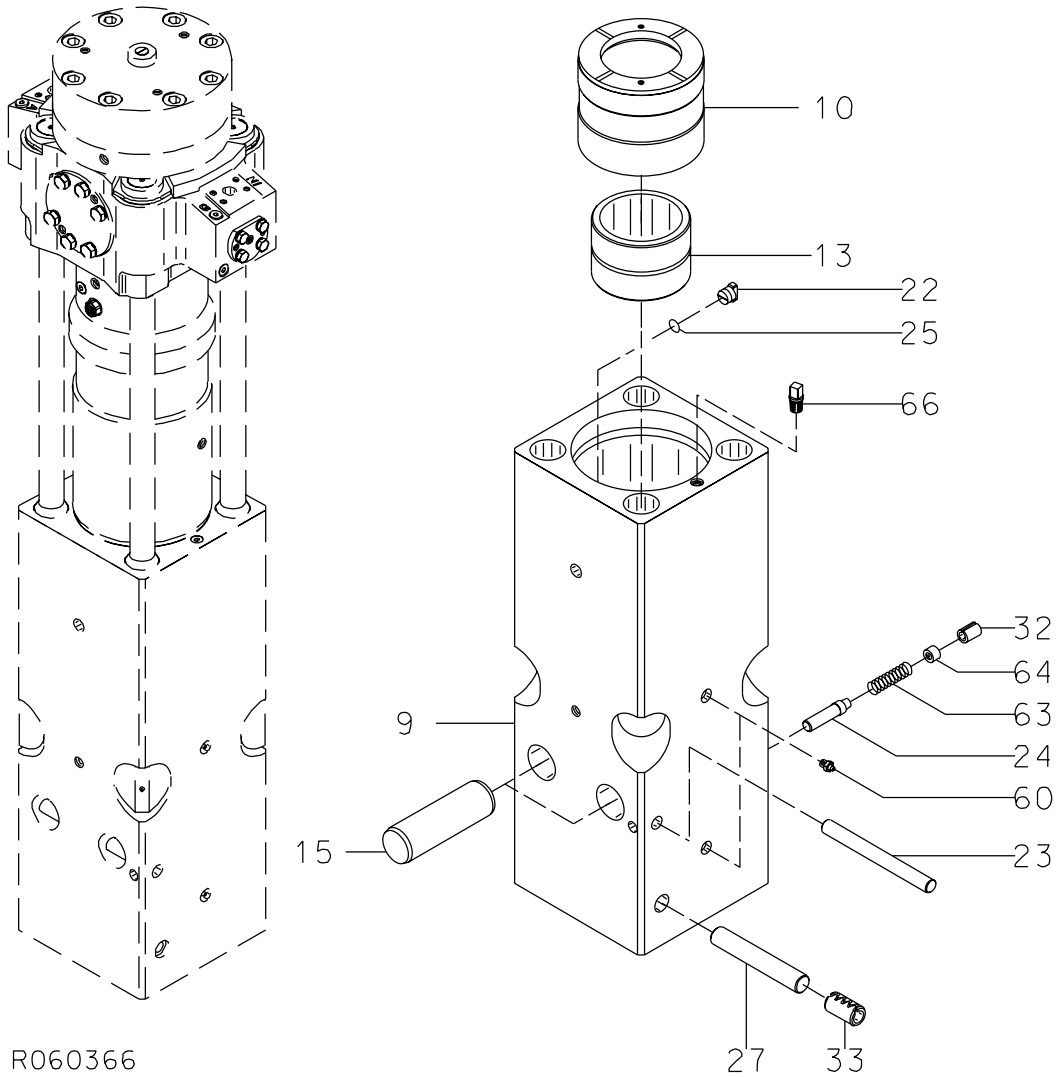
9. BODY PARTS G 100



R060509

Item	Description	Part no.	Specification	Note	Qty
4	Valve body	100394			1
5	Cylinder	100418			1
6	Seal carrier	100415			1
7	Lower seal carrier	100416			1
8	Piston	100417			1
31	Breather	400562			1
34	Seal	40588	D210	*	1
35	Seal	903066	D160	*	1
36	Seal	911023	D142	*	2
37	Wiper	90065	D160	*	1
38	Wiper	90064	D142	*	1
39	Seal	400474	D160	*	1
40	Seal	400476	D260	*	1
41	Seal	400481	D280	*	1
42	O-ring	910015	D269	*	2
43	O-ring	90012	D19	*	1
44	O-ring	910018	D21	*	4
50	Flange plug	90403	R1/4		1
51	Flange plug	90410	R1		2
52	Flange plug	90424	R1/2		4
54	Parallel pin	90317	16m6x50 DIN 6325		2
55	Parallel pin	904017	16m6x70 DIN 6325		1
61	Breather (incl. part 61.2)	101700			1
61.2	O-ring	901173	D27	*	1
65	Flange plug	90444	R3/8		1
	*) Are included in seal set				

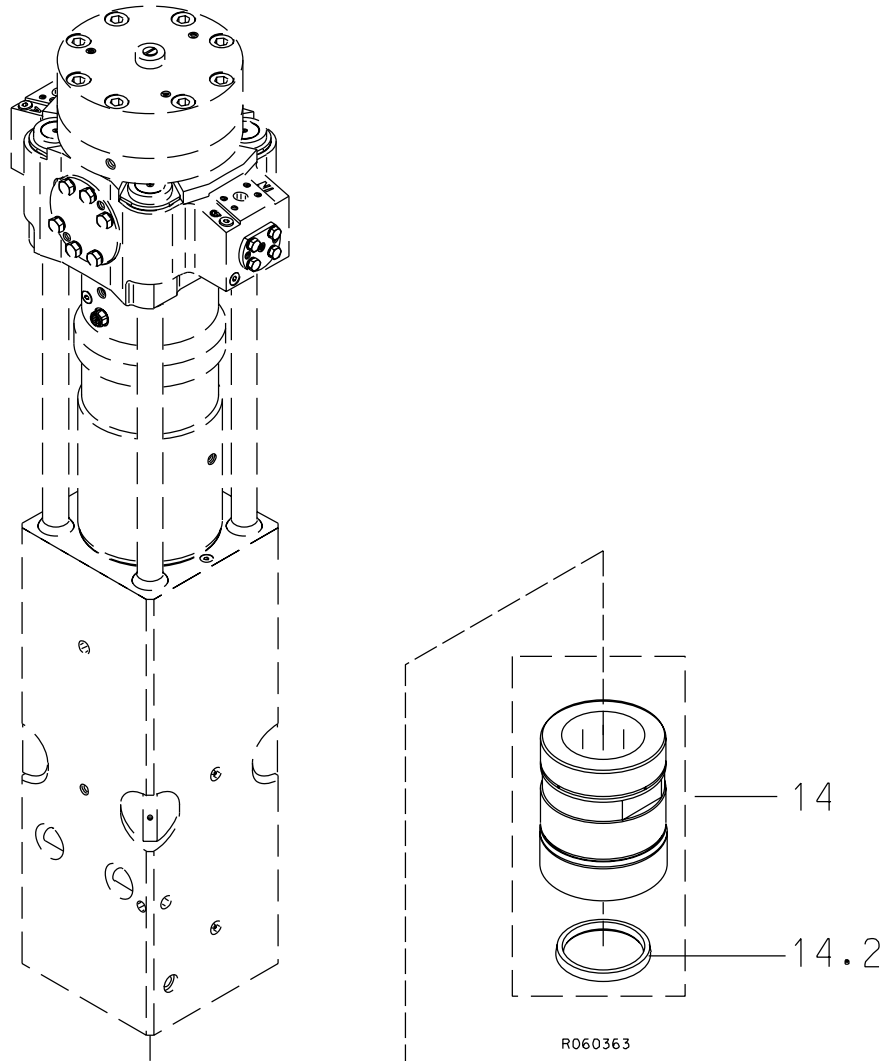
10. FRONT HEAD G 100



R060366

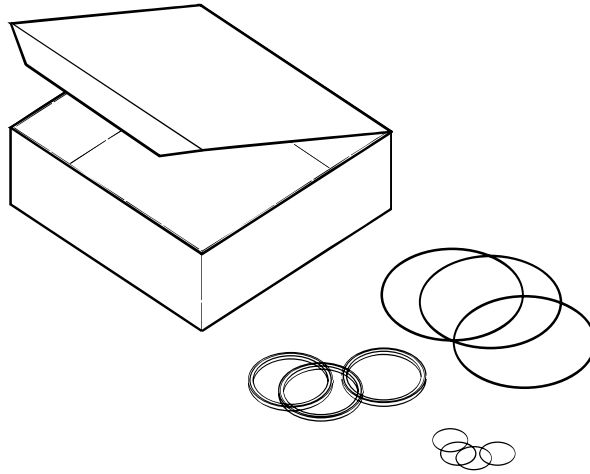
Item	Description	Part no.	Specification	Note	Qty
9	Front head (incl. parts 60, 66 and 68)	100395			1
10	Thrust ring	200359			1
13	Upper tool bushing	300619			1
15	Tool retaining pin	400470	D80		2
22	Wedge	40110			1
23	Retaining pin	400468	D30		1
24	Retaining pin	400415	D28		1
25	O-ring	90000	D24	*	1
27	Retaining pin	400469	D40		1
32	Split pin	904006	30x40 DIN 1481		1
33	Split pin	901134	D40x70		1
60	Grease nipple	90200	R1/4		2
63	Spring	42428			1
64	Spring guide	400419			1
66	Plug	111404			1
	*) Are included in seal set				

11. LOWER TOOL BUSHING G 100



Item	Description	Part no.	Specification	Note	Qty
14	Lower tool bushing (incl. part 14.2)	102159			1
14.2	Seal	102149			1

12. SEAL SET G 100



R060012

Item	Name	Part no.	Specification	Note	Qty
Kit	Seal set (incl. parts 1-28)	400568			1
1	O-ring	90000	D24		1
2	Seal	40588	D210		1
3	O-ring	90036	D209		2
4	Seal	903066	D160		1
5	Seal	911023	D142		2
6	Wiper	90065	D160		1
7	Wiper	90064	D142		1
8	Seal	400474	D160		1
9	Seal	400476	D260		1
10	Seal	400481	D280		1
11	O-ring	910015	D269		2
12	O-ring	90012	D19		1
13	O-ring	90011	D14		1
14	O-ring	910018	D21		4
15	O-ring	90032	D120		2
16	O-ring	910013	D117		6
17	Seal	902644			6
18	O-ring	90017	D34		2
20	O-ring	910014	D64		4
21	O-ring	901173			1
22	Seal	40536	D144		1
23	Usit-ring	90056	U8.7-14-1		1
24	O-ring	90030	D75		1
25	Seal	040533	D65		1
26	Seal	41374	D55		1
27	O-ring	90007	D44		1
28	O-ring	910006	D23		1

Lined page for notes. The page contains 20 horizontal lines for writing. The top line is a thick grey line, and the remaining 19 lines are thin black lines.

Sandvik Tamrock Corp., Breakers Lahti
Taivalkatu 8, P.O. Box 165, FIN-15101 Lahti, Finland
Phone Int. +358 205 44 161, Telefax Int. +358 205 44 160
www.rammer.com

90-36-14021-42-224-385
90-36-14021-45-4-112