

**ENG 5/01**

**PARTS MANUAL  
PMG120ENG.501**

**HYDRAULIC HAMMER  
RAMMER G 120  
RAMMER G 120 CITY**

**SERIAL NO.**

**12AAA005-UP**

**12ADA005-UP**

---

## TABLE OF CONTENTS

1. Housing unit G 120 . . . . .	4
2. Housing unit G 120 CITY . . . . .	6
3. Accumulator G 120 . . . . .	8
4. Main valve G 120 . . . . .	9
5. Check valve G 120 . . . . .	10
6. Pressure control valve G 120 . . . . .	11
7. Tie rods G 120 . . . . .	12
8. Body parts G 120 . . . . .	14
9. Front head G 120 . . . . .	16
10. Lower tool bushing G 120 . . . . .	17
11. Seal set G 120 . . . . .	18

---

## GENUINE RAMMER SPARE PARTS

Rammer genuine spare parts are designed and manufactured by using the latest technological knowledge and engineering skills. Rammer spare parts are made of the best available materials with the most advanced manufacturing techniques.

It is important that you use only genuine Rammer spare parts, to ensure easy operation, maintenance and repair of the product. Please note that eventual warranty claims will be handled only if you have used genuine Rammer parts in your Rammer.

## LOCATION OF THE SERIAL NUMBER

It's important to make correct reference to the serial number of the product when ordering spare parts. Identification of serial number is the only proper means of maintaining and identifying parts for a specific product. The location of equipment serial number is pointed in "Operation and maintenance" manual.

## SPARE PART ORDERS

Quick spare part deliveries are secured by exact orders.

### Required information:

- Name of customer and contact person
  - Order number (when available)
  - Delivery address
  - Mode of delivery (air mail etc.)
  - Required delivery date
  - Invoicing address
  - Model and serial number of the product
  - Name, number and required amount of spare parts
-

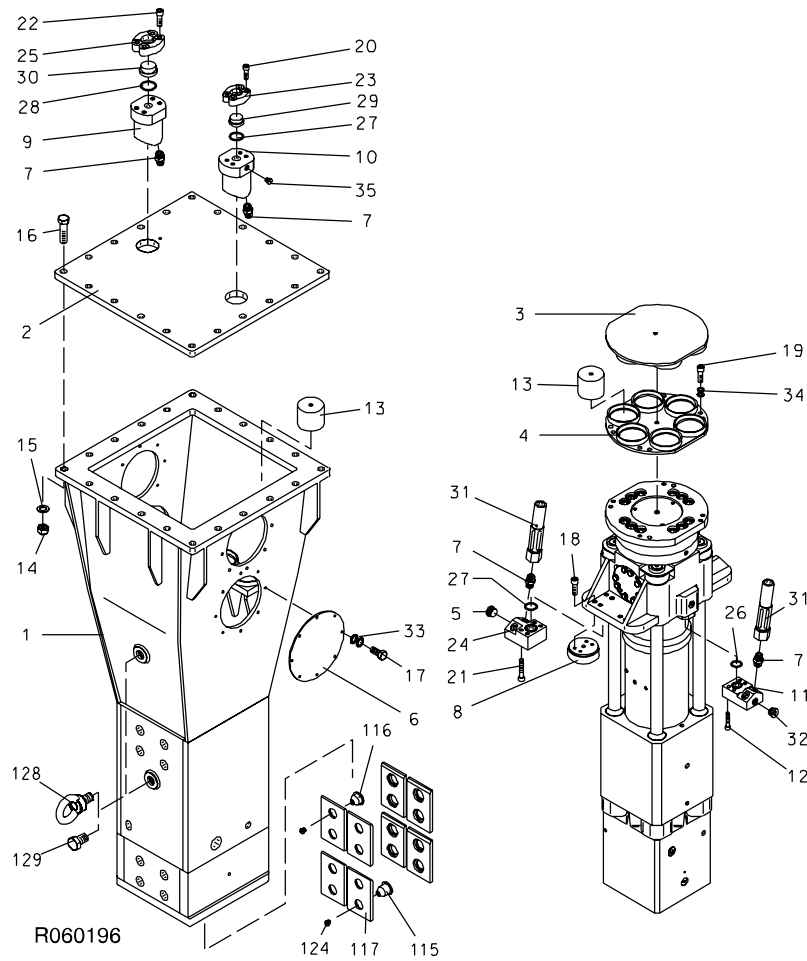
---

---

# **PARTS**

---

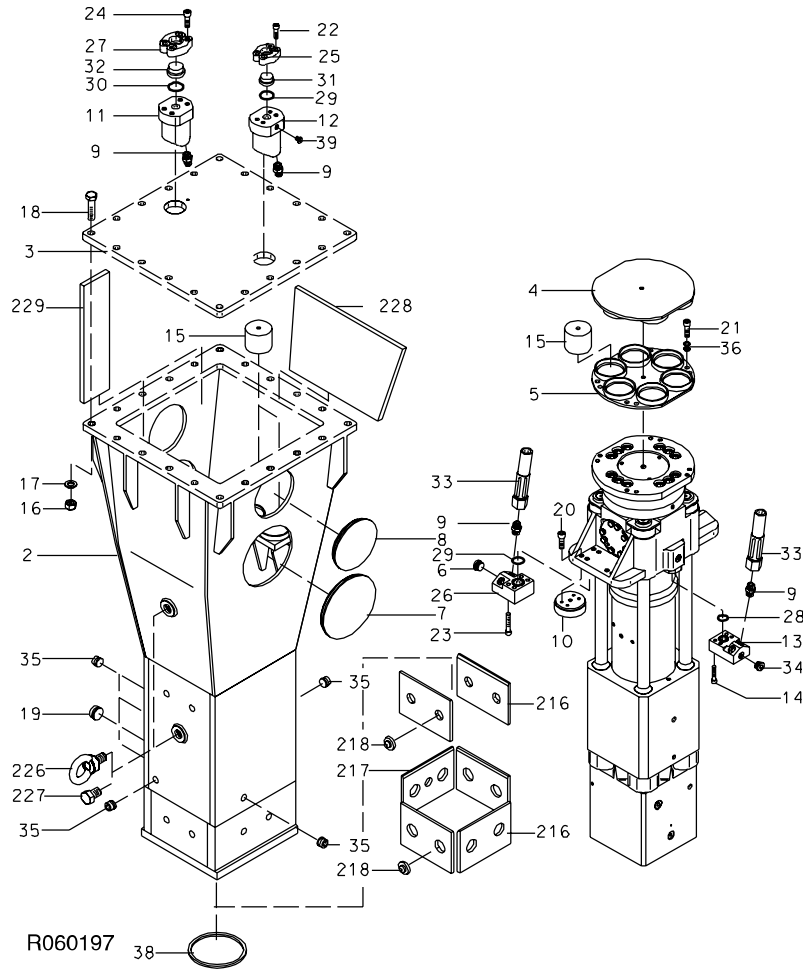
**1. HOUSING UNIT G 120**



Item	Description	Part no.	Specification	Note	Qty
1	Housing (incl. parts 115-129)	100363			1
2	Gable plate	200185			1
3	Top plate	300384			1
4	Bottom plate	300547			1
5	Flange plug	93215	R1 1/4		1
6	Cover	200224			4
7	Fitting	90464			8
8	Guide	300430			4
9	Adapter	300715			1
10	Adapter	300737			1
11	Adapter	300738			1
12	Hex. socket screw	900043	M14x70-12.9 DIN 912		4
13	Damper	920010			10

Item	Description	Part no.	Specification	Note	Qty
14	Lock nut	90519	M36-8 DIN 985		20
15	Washer	90521	39 DIN 126		20
16	Hex. screw	90520	M36x140-8.8 DIN 931		20
17	Hex. screw	90514	M16x30-8.8 DIN 933		32
18	Hex. socket screw	91006	M16x60-8.8 DIN 912		16
19	Hex. socket screw	900009	M24x70-8.8 DIN 912		8
20	Hex. socket screw	91032	M16x50-8.8 DIN 912		4
21	Hex. socket screw	900013	M16x90-12.9 DIN 912		4
22	Hex. socket screw	91064	M20x60-8.8 DIN 912		4
23	SAE clamp	915004			2
24	Adapter	300739			1
25	SAE clamp	915005			2
26	O-ring	90009	D38	*	1
27	O-ring	910000	D47	*	2
28	O-ring	94021	D57	*	1
29	Plug	915079	R1 1/2		1
30	Plug	915007	R2		1
31	Hose assembly	930084			4
32	Flange plug	90410	R1		1
33	Lock washer	90597	M16 NORD-LOCK		32
34	Lock washer	91038	M24 NORD-LOCK		8
35	Flange plug	90403	R1/4		1
115	Pin	42191			8
116	Pin	42192			8
117	Wear plate	42190			8
124	Grease nipple	90201	R1/8		16
128	Lifting eye bolt	901502	M56 DIN 580		2
129	Hex. screw	901503	M56x70-8.8 DIN 933		2
Kit	Label set	200233			1
	*) Are included in seal set				

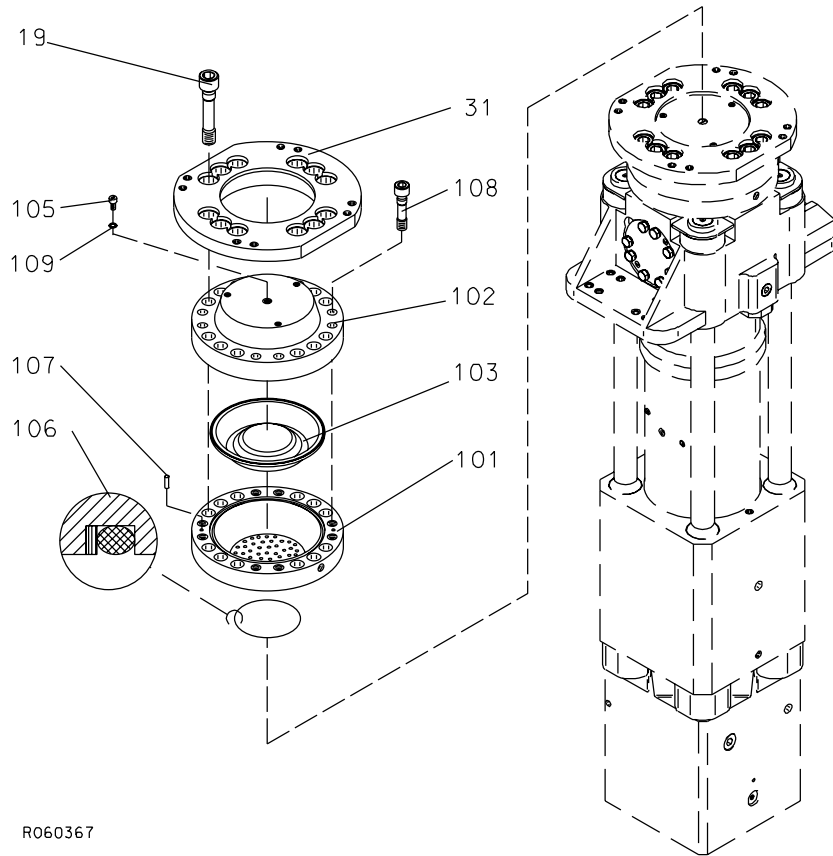
**2. HOUSING UNIT G 120 CITY**



Item	Description	Part no.	Specification	Note	Qty
2	Housing (incl. parts 216-229)	103400			1
3	Gable plate	200185			1
4	Top plate	300384			1
5	Bottom plate	300547			1
6	Flange plug	93215	R1 1/4		1
7	Cover	101373			2
8	Cover	101371			2
9	Fitting	90464			8
10	Upper guide	103358			4
11	Adapter	300715			1
12	Adapter	300737			1
13	Adapter	300738			1
14	Hex. socket screw	900043	M14x70-12.9 DIN 912		4

Item	Description	Part no.	Specification	Note	Qty
15	Damper	920010			10
16	Lock nut	90519	M36-8 DIN 985		20
17	Washer	90521	37 DIN 6916		20
18	Hex. screw	90520	M36x140-8.8 DIN 931		20
19	Rubber plug	101282			1
20	Hex. socket screw	91006	M16x60-8.8 DIN 912		16
21	Hex. socket screw	900009	M24x70-8.8 DIN 912		8
22	Hex. socket screw	91032	M16x50-8.8 DIN 912		4
23	Hex. socket screw	900013	M16x90-12.9 DIN 912		4
24	Hex. socket screw	91064	M20x60-8.8 DIN 912		4
25	Flange clamp half	915004			2
26	Adapter	300739			1
27	Flange clamp half	915005			2
28	O-ring	90009	D38	*	1
29	O-ring	910000	D47	*	2
30	O-ring	94021	D57	*	1
31	Plug	915079	R1 1/2		1
32	Plug	915007	R2		1
33	Hose assembly	930084			4
34	Flange plug	90410	R1		1
35	Rubber plug	400676	D50		6
36	Lock washer	91038	M24 NORD-LOCK		8
38	Seal	103423			1
39	Flange plug	90403	R1/4		1
216	Wear plate	103410			5
217	Wear plate	103411			1
218	Pin	102389			12
226	Lifting eye bolt	901502	M56 DIN 580		2
227	Hex. screw	901503	M56x70-8.8 DIN 933		2
228	Damper plate	102071			2
229	Damper plate	102072			4
	*) Are included in seal set				

**3. ACCUMULATOR G 120**

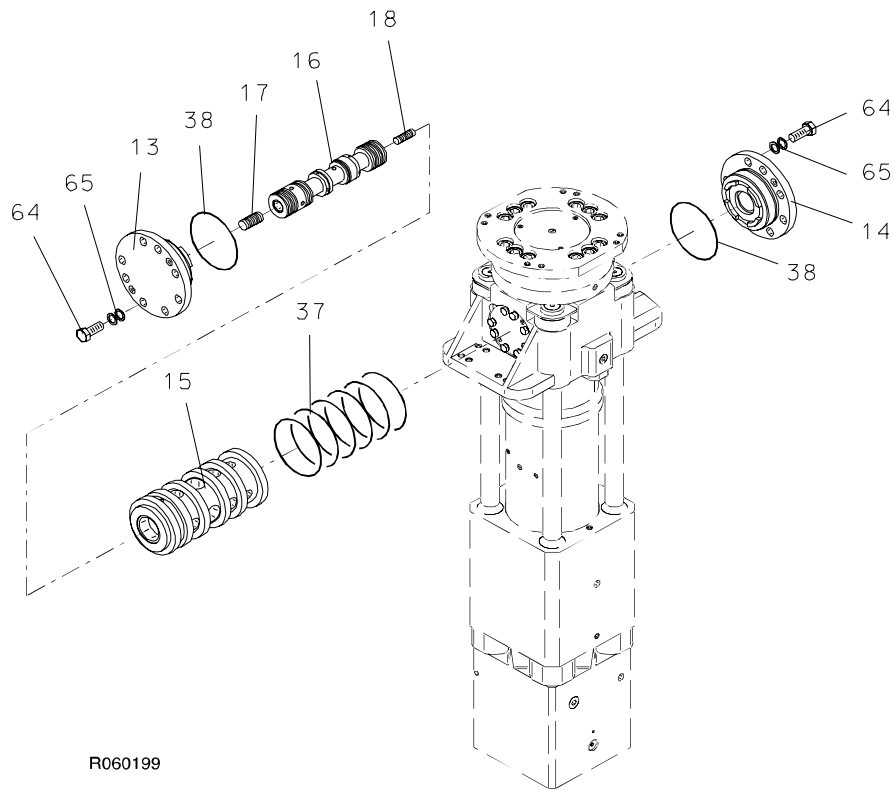


R060367

Item	Description	Part no.	Specification	Note	Qty
1	Accumulator (incl. parts 101-109)	300056			1
19	Accumulator screw	300059			12
31	Plate	100272			1
101	Accumulator bottom	200098			1
102	Accumulator cover	200097			1
103	Membrane	21035			1
105	Filling plug	42074			1
106	Seal	400051	D189	*	1
107	Parallel pin	90304	10m6x24 DIN 6325		2
108	Accumulator screw	301022			8
109	Usit-ring	90056	U8.7-14-1	*	1
	*) Are included in seal set				



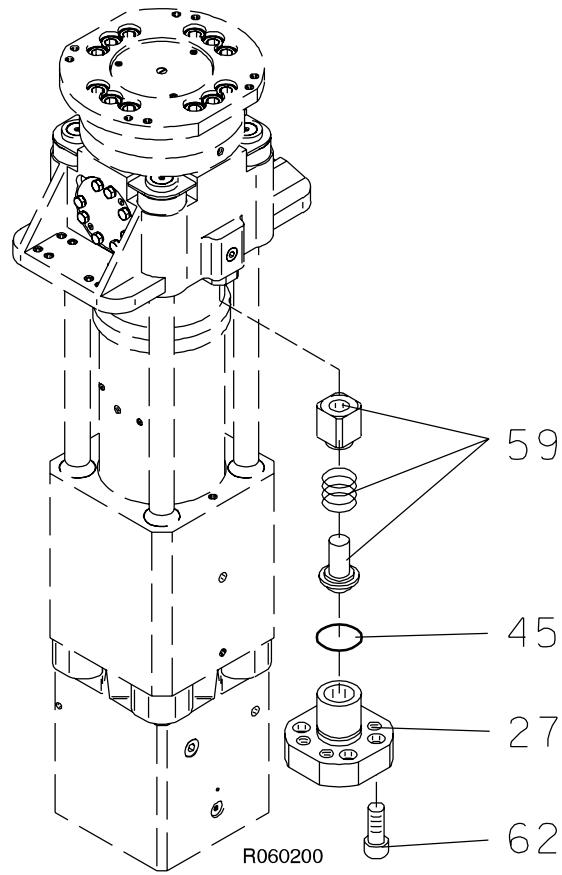
## 4. MAIN VALVE G 120



R060199

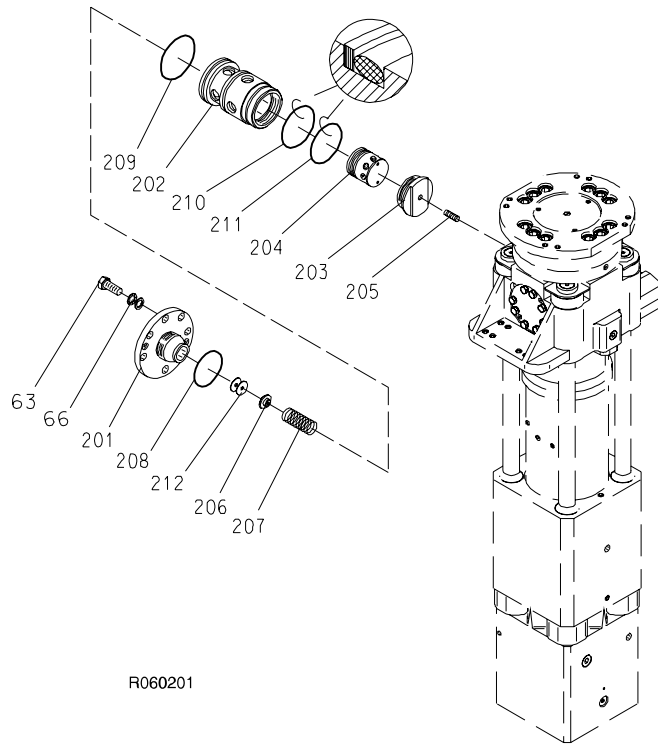
Item	Description	Part no.	Specification	Note	Qty
13	Cover	200103			1
14	Cover	200102			1
15	Main valve bushing	200100			1
16	Main spool	200174			1
17	Spool	400041			1
18	Spool	400229			1
37	O-ring	910007	D149	*	6
38	O-ring	94137	D145	*	2
64	Hex. screw	90569	M20x50-8.8 DIN 933		16
65	Lock washer	91010	M20 NORD-LOCK		16
	*) Are included in seal set				

5. CHECK VALVE G 120



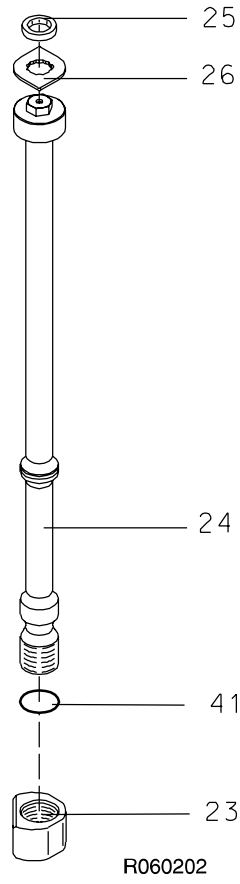
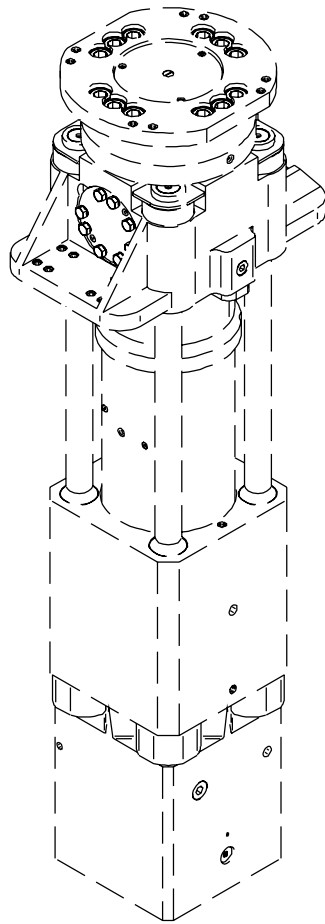
Item	Description	Part no.	Specification	Note	Qty
27	Check valve bushing	31845			1
45	O-ring	94047	D38	*	1
59	Check valve	95667			1
62	Hex. socket screw	91100	M16x40-8.8 DIN 912		4
	*) Are included in seal set				

## 6. PRESSURE CONTROL VALVE G 120



Item	Description	Part no.	Specification	Note	Qty
2	Pressure control valve (incl. parts 201-212)	300060			1
63	Hex. screw	900017	M16x40-10.9 DIN 933		7
66	Lock washer	90597	M16 NORD-LOCK		7
201	Cover	300301			1
202	Guide	300300			1
203	Guide	300302			1
204	Spool	300299			1
205	Spool	400240			1
206	Spring guide	42174			1
207	Spring	90118			1
208	O-ring	90030	D75	*	1
209	O-ring	94068	D95	*	1
210	Seal	400058	D90	*	1
211	Seal	400057	D85	*	1
212	Shim plate	42361	S=1.5		X
212	Shim plate	42362	S=1.25		X
212	Shim plate	42363	S=0.9		X
	* ) Are included in seal set				

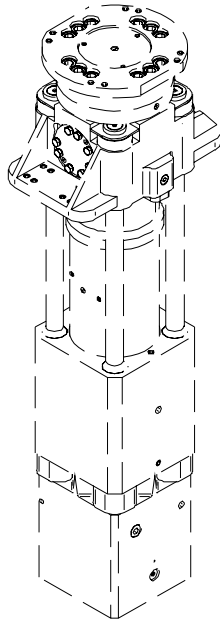
7. TIE RODS G 120



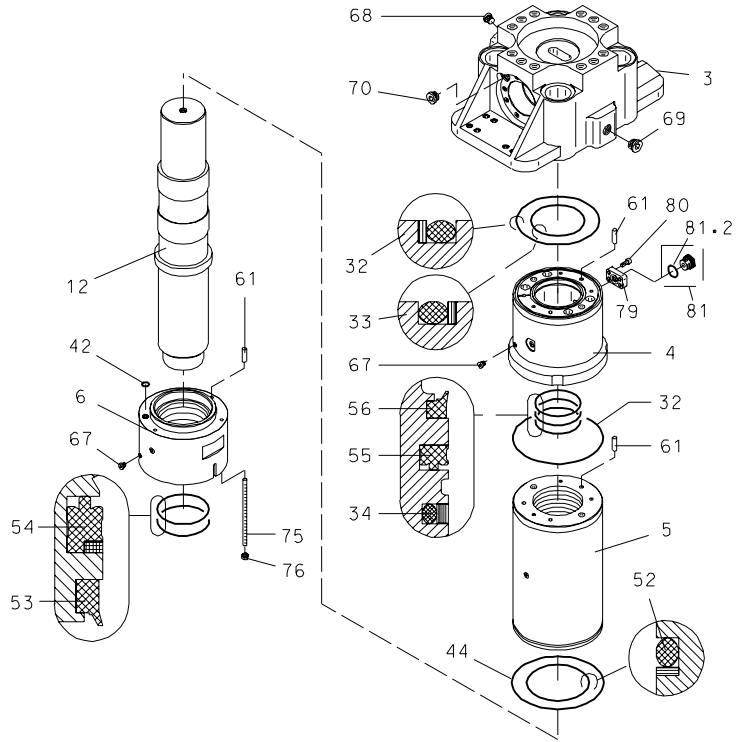
---

<b>Item</b>	<b>Description</b>	<b>Part no.</b>	<b>Specification</b>	<b>Note</b>	<b>Qty</b>
23	Tie rod nut	300053			4
24	Tie rod	200095			4
25	Rubber ring	40586			4
26	Lock plate	400048			4
41	O-ring	94141	D90	*	4
	*) Are included in seal set				

8. BODY PARTS G 120

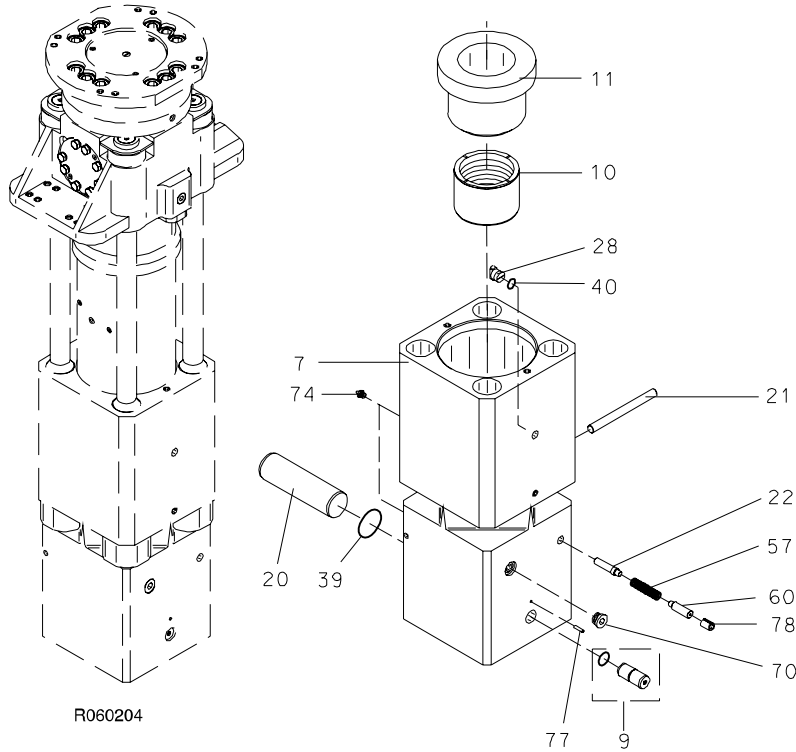


R060203



<b>Item</b>	<b>Description</b>	<b>Part no.</b>	<b>Specification</b>	<b>Note</b>	<b>Qty</b>
3	Valve body	100252			1
4	Seal carrier	100066			1
5	Cylinder	100065			1
6	Seal carrier	100231			1
12	Piston	200096			1
32	Seal	400053	D320	*	2
33	Seal	400052	D200	*	1
34	Seal	400047		*	1
42	O-ring	90001	D20	*	1
44	O-ring	94138	D339	*	1
52	Seal	400119	D260	*	1
53	Wiper	913003	D195	*	1
54	Seal	94151	D195	*	1
55	Seal	94152	D175	*	1
56	Wiper	913002	D175	*	1
61	Parallel pin	90365	16m6x60 DIN 6325		3
67	Flange plug	90403	R1/4		2
68	Flange plug	90444	R3/8		1
69	Flange plug	90410	R1		1
70	Flange plug	93215	R1 1/4		1
75	Threaded rod	400294			3
76	Hex. nut	902000	M12-Pa 6.6 DIN 934		3
79	Flange	400497			1
80	Hex. socket screw	90555	M10x25-8.8 DIN 912		4
81	Breather (incl. part 81.2)	103605			1
81.2	O-ring	901024	D35	*	1
	*) Are included in seal set				

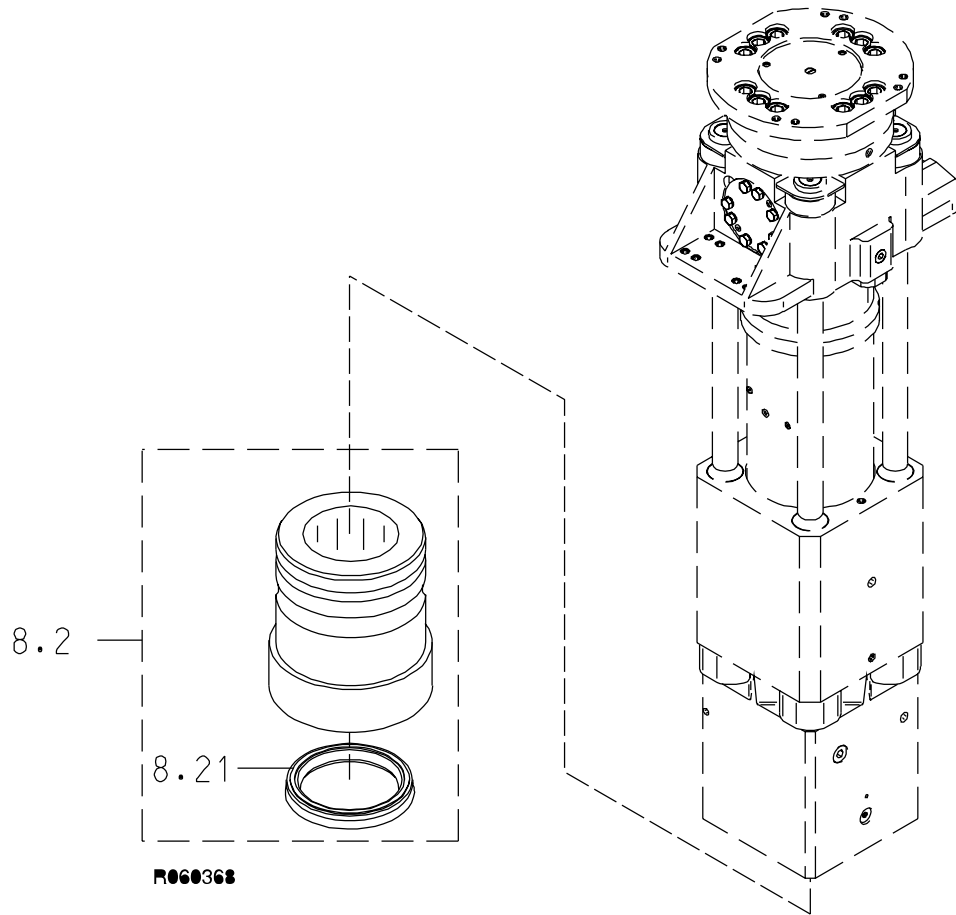
9. FRONT HEAD G 120



Item	Description	Part no.	Specification	Note	Qty
7	Front head	100359			1
9	Retaining pin	400043			2
10	Upper tool bushing	300316			1
11	Thrust ring	300052			1
20	Retaining pin	400040	D100		1
21	Retaining pin	400416	D30		1
22	Retaining pin	400415	D28		1
28	Wedge	40110			1
39	O-ring	90042	D99	*	1
40	O-ring	90000	D24	*	1
57	Spring	42428			1
60	Spring guide	400424			1
70	Flange plug	93215	R1 1/4		1
74	Grease nipple	90200	R1/4		2
77	Split pin	90318	10x40 DIN 1481		1
78	Split pin	904006	30x40 DIN 1481		1
	*) Are included in seal set				



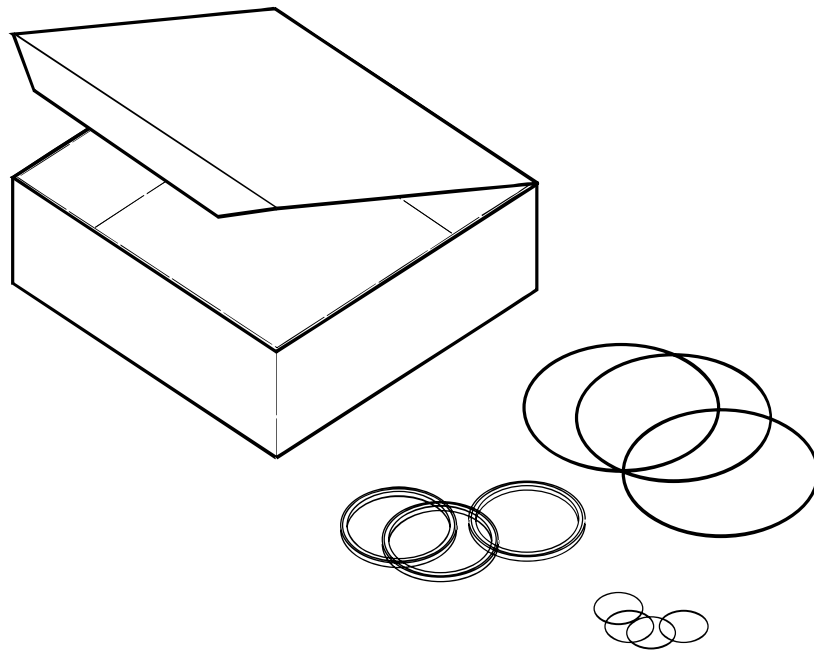
10. LOWER TOOL BUSHING G 120



Item	Description	Part no.	Specification	Note	Qty
8.2	Lower tool bushing (incl. parts 8.21)	200520			1
8.21	Seal	400643	D195		1

**11. SEAL SET G 120**

---



R060012

Item	Name	Part no.	Specification	Note	Qty
Kit	Seal set (incl. parts 1-27)	42413			1
1	Seal	400053	D320		2
2	Seal	400052	D200		1
3	Seal	400047			1
4	O-ring	910007	D149		6
5	O-ring	94136	D149		6
6	O-ring	94137	D145		2
7	O-ring	90042	D99		1
8	O-ring	90000	D24		1
9	O-ring	94141	D90		4
10	O-ring	90001	D20		1
11	O-ring	94138	D339		1
12	O-ring	94047	D38		1
13	Seal	400119	D260		1
14	Wiper	913003	D195		1
15	Seal	94151	D195		1
16	Seal	94152	D175		1
17	Wiper	913002	D175		1
18	O-ring	901024	D35		1
19	Seal	400051	D189		1
20	Usit-ring	90056	U8.7-14-1		1
21	O-ring	90030	D75		1
22	O-ring	94068	D95		1
23	Seal	400058	D90		1
24	Seal	400057	D85		1
25	O-ring	90009	D38		3
26	O-ring	910000	D47		2
27	O-ring	94021	D57		1





**SANDVIK TAMROCK CORP.**  
Breakers Lahti  
Taivalkatu 8, P.O. Box 165, FIN-15101 Lahti, Finland  
Phone Int. +358 205 44 161, Telefax Int. +358 205 44 160,  
Internet <http://www.rammer.com>