

PARTS MANUAL
PMG130CCENG.403

HYDRAULIC HAMMER
RAMMER G 130 CITY
RAMMER G 130 CITY-JET

Serial No.
13ADA0034-UP
13AEA0034-UP

TABLE OF CONTENTS

1. Housing unit G 130 CITY	4
2. Housing unit G 130 CITY-JET	7
3. Accumulator G 130	10
4. Main valve G 130	12
5. Check valve G 130	13
6. Pressure control valve G 130	14
7. Tie rods G 130	16
8. Body parts G 130	18
9. Front head G 130	20
10. Lower tool bushing G 130	22
11. Seal set G 130	23

GENUINE RAMMER SPARE PARTS

Rammer genuine spare parts are designed and manufactured by using the latest technological knowledge and engineering skills. Rammer spare parts are made of the best available materials with the most advanced manufacturing techniques.

It is important that you use only genuine Rammer spare parts, to ensure easy operation, maintenance and repair of the product. Please note that eventual warranty claims will be handled only if you have used genuine Rammer parts in your Rammer.

LOCATION OF THE SERIAL NUMBER

It's important to make correct reference to the serial number of the product when ordering spare parts. Identification of serial number is the only proper means of maintaining and identifying parts for a specific product. The location of equipment serial number is pointed in "Operation and maintenance" manual.

SPARE PART ORDERS

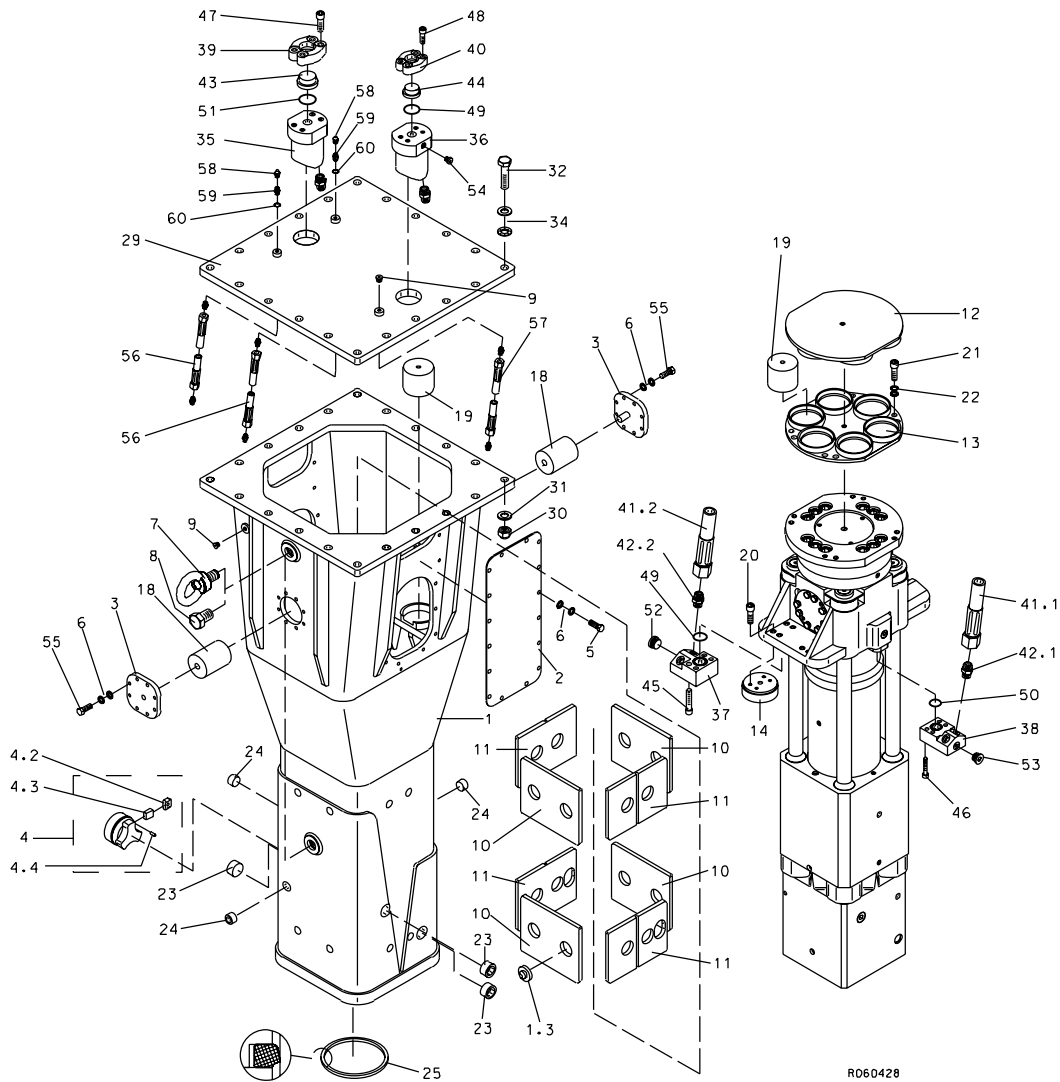
Quick spare part deliveries are secured by exact orders.

Required information:

- Name of customer and contact person
 - Order number (when available)
 - Delivery address
 - Mode of delivery (air mail etc.)
 - Required delivery date
 - Invoicing address
 - Model and serial number of the product
 - Name, number and required amount of spare parts
-

PARTS

1. HOUSING UNIT G 130 CITY



R060428

Item	Name	Part no.	Specification	Note	Qty
1	Housing (incl. parts 1.3, 2-8, 10, 11 and 55)	111730			1
1.3	Pin	102389			16
2	Cover	111743			2
3	Cover	111742			2
4	Cover (incl. parts 4.2-4.4)	109937			1
4.2	Stopper	106083			1
4.3	Buffer	106082			1
4.4	Split pin	90327	6x16 DIN 7343		1
5	Hex. screw	91128	M16x40-8.8 DIN 933		30

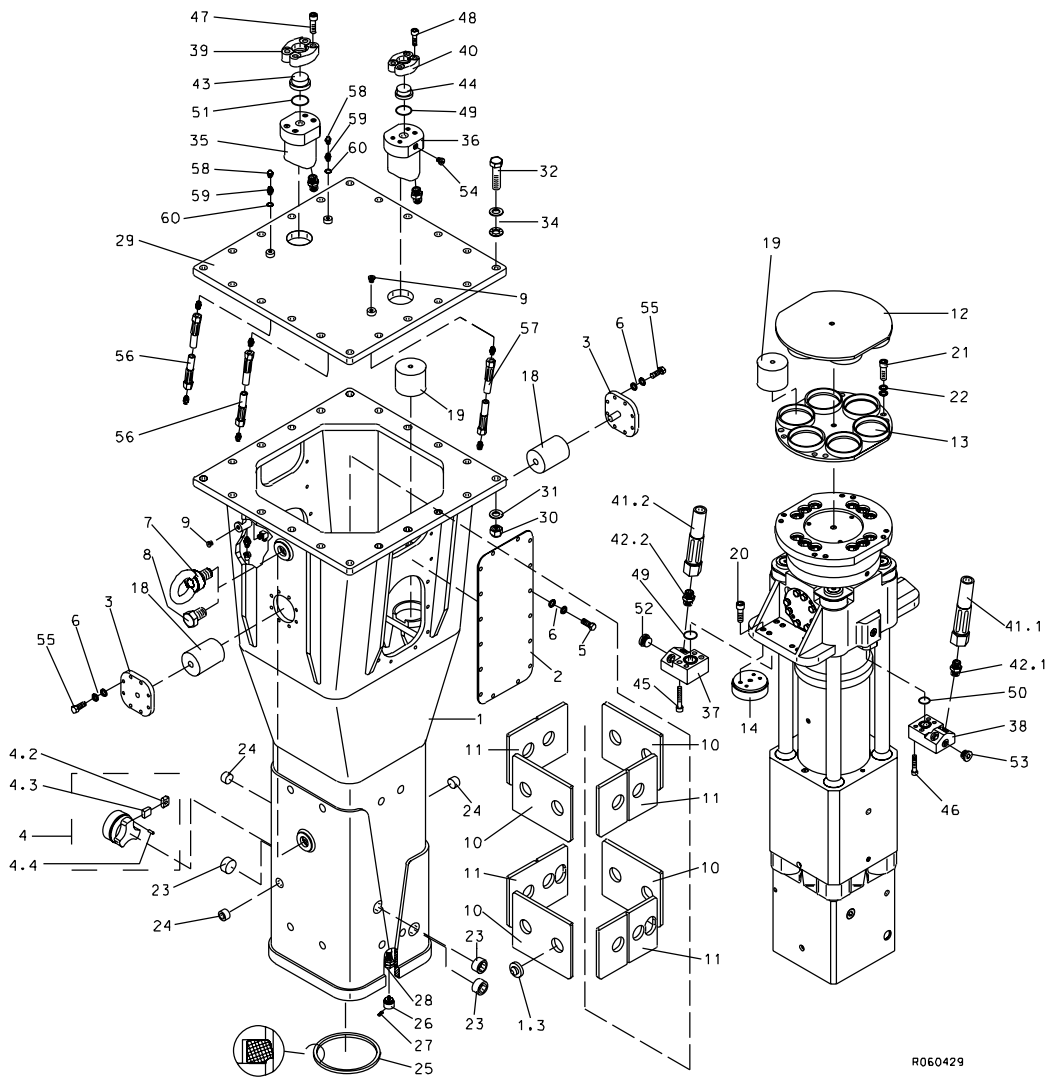
HOUSING UNIT G 130 CITY

Item	Name	Part no.	Specification	Note	Qty
6	Lock washer	90597	M16 NORD-LOCK		46
7	Lifting eye bolt	901502	M56 DIN 580		2
8	Hex. screw	901503	M56x70-8.8 DIN 933		2
9	Flange plug	90424	G1/2		2
10	Wear plate	105259			4
11	Wear plate	105260			4
12	Top plate	300384			1
13	Bottom plate	300547			1
14	Upper guide	103358			4
18	Damper	111897			2
19	Damper	920010			10
20	Hex. socket screw	91006	M16x60-8.8 DIN 912		16
21	Hex. socket screw	900009	M24x70-8.8 DIN 912		8
22	Lock washer	91038	M24 NORD-LOCK		8
23	Rubber plug	101283			3
24	Rubber plug	400676	D50		3
25	Seal	103614			1
29	Gable plate	105268			1
30	Lock nut	90519	M36-8 DIN 985		20
31	Washer	90521	37 DIN 6916		20
32	Hex. screw	90520	M36x140-8.8 DIN 931		20
34	Lock washer	902832	M36 NORD-LOCK		20
35	Adapter	102033			1
36	Adapter	300737			1
37	Adapter	102035			1
38	Adapter	300738			1
39	Flange clamp half	915005			2
40	Flange clamp half	915004			2
41.1	Hose assembly	930084	G1 L=710		2
41.2	Hose assembly	903205	G1 1/4 L=710		2
42.1	Fitting	90464			4
42.2	Fitting	90465			4
43	Plug	915007	G2		1
44	Plug	915079	G1 1/2		1
45	Hex. socket screw	900013	M16x90-12.9 DIN 912		4
46	Hex. socket screw	900043	M14x70-12.9 DIN 912		4
47	Hex. socket screw	91064	M20x60-8.8 DIN 912		4
48	Hex. socket screw	91032	M16x50-8.8 DIN 912		4
49	O-ring	910000	D47	*	2
50	O-ring	90009	D38	*	1
51	O-ring	94021	D57	*	1
52	Flange plug	93215	G1 1/4		1
53	Flange plug	90410	G1		1
54	Flange plug	90403	G1/4		1
55	Hex. screw	90544	M16x60-8.8 DIN 931		16

HOUSING UNIT G 130 CITY

Item	Name	Part no.	Specification	Note	Qty
56	Grease hose	112119	G1/4 L=700		2
57	Air hose	152066	G1/2 L=800		1
58	Grease nipple	90201	G1/8"		2
59	Reducer	903251	G3/8" / 1/8"		2
60	Usit-ring	94092	U17.4-24-1.5		2
Kit	Label set	110145			1
	*) Are included in seal set				

2. HOUSING UNIT G 130 CITY-JET



R060429

Item	Name	Part no.	Specification	Note	Qty
1	Housing (incl. parts 1.3, 2-8, 10, 11 and 55)	111730			1
1.3	Pin	102389			16
2	Cover	111743			2
3	Cover	111742			2
4	Cover (incl. parts 4.2-4.4)	109937			1
4.2	Stopper	106083			1
4.3	Buffer	106082			1
4.4	Split pin	90327	6x16 DIN 7343		1
5	Hex. screw	91128	M16x40-8.8 DIN 933		30

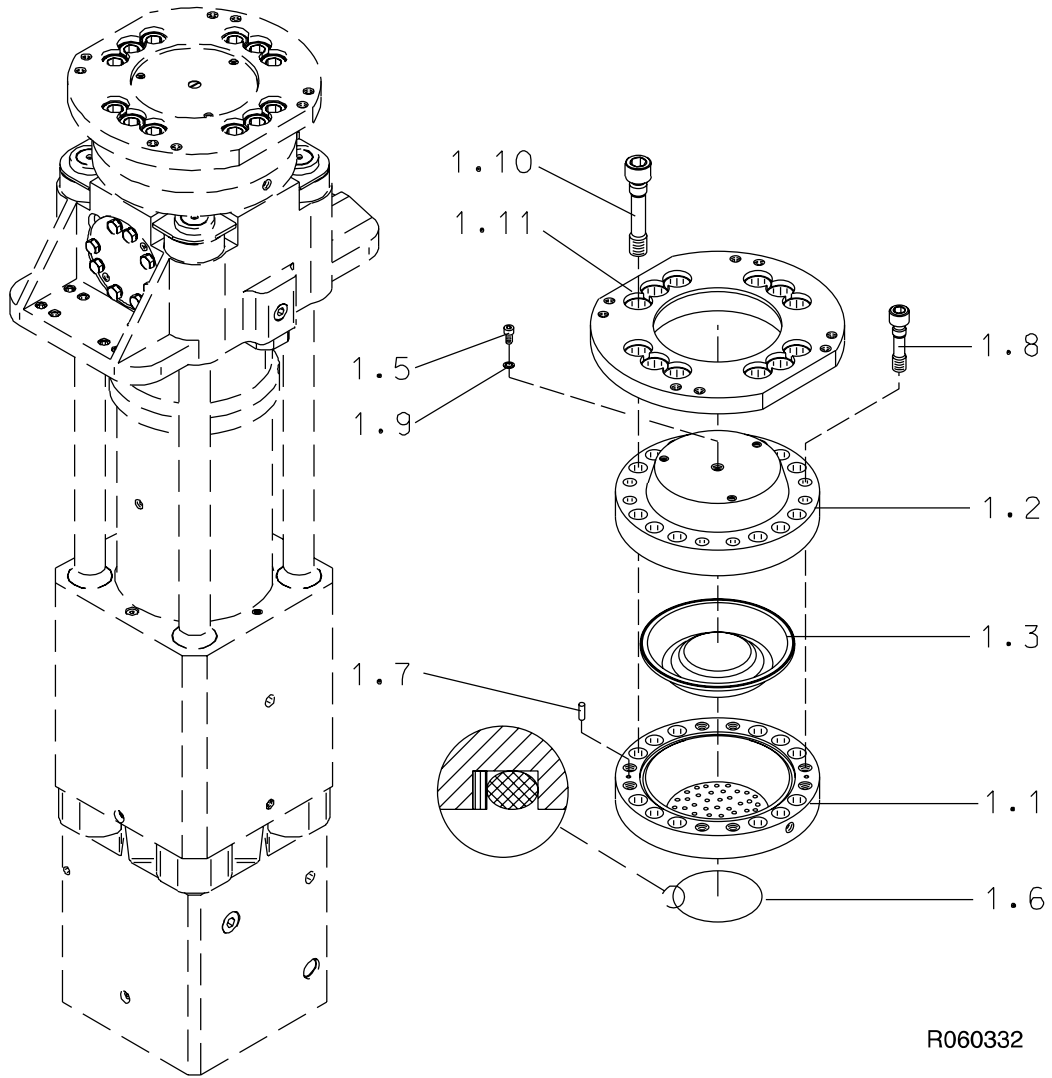
HOUSING UNIT G 130 CITY-JET

Item	Name	Part no.	Specification	Note	Qty
6	Lock washer	90597	M16 NORD-LOCK		46
7	Lifting eye bolt	901502	M56 DIN 580		2
8	Hex. screw	901503	M56x70-8.8 DIN 933		2
9	Flange plug	90424	G1/2		2
10	Wear plate	105259			4
11	Wear plate	105260			4
12	Top plate	300384			1
13	Bottom plate	300547			1
14	Upper guide	103358			4
18	Damper	111897			2
19	Damper	920010			10
20	Hex. socket screw	91006	M16x60-8.8 DIN 912		16
21	Hex. socket screw	900009	M24x70-8.8 DIN 912		8
22	Lock washer	91038	M24 NORD-LOCK		8
23	Rubber plug	101283			3
24	Rubber plug	400676	D50		3
25	Seal	103614			1
26	Guide	103047			2
27	Nozzle	102783	SSCO B1/8-GG-SS5		2
28	Hose assembly	105349			1
29	Gable plate	105268			1
30	Lock nut	90519	M36-8 DIN 985		20
31	Washer	90521	37 DIN 6916		20
32	Hex. screw	90520	M36x140-8.8 DIN 931		20
34	Lock washer	902832	M36 NORD-LOCK		20
35	Adapter	102033			1
36	Adapter	300737			1
37	Adapter	102035			1
38	Adapter	300738			1
39	Flange clamp half	915005			2
40	Flange clamp half	915004			2
41.1	Hose assembly	930084	G1 L=710		2
41.2	Hose assembly	903205	G1 1/4 L=710		2
42.1	Fitting	90464			4
42.2	Fitting	90465			4
43	Plug	915007	G2		1
44	Plug	915079	G1 1/2		1
45	Hex. socket screw	900013	M16x90-12.9 DIN 912		4
46	Hex. socket screw	900043	M14x70-12.9 DIN 912		4
47	Hex. socket screw	91064	M20x60-8.8 DIN 912		4
48	Hex. socket screw	91032	M16x50-8.8 DIN 912		4
49	O-ring	910000	D47	*	2
50	O-ring	90009	D38	*	1
51	O-ring	94021	D57	*	1
52	Flange plug	93215	G1 1/4		1

HOUSING UNIT G 130 CITY-JET

Item	Name	Part no.	Specification	Note	Qty
53	Flange plug	90410	G1		1
54	Flange plug	90403	G1/4		1
55	Hex. screw	90544	M16x60-8.8 DIN 931		16
56	Grease hose	112119	G1/4 L=700		2
57	Air hose	152066	G1/2 L=800		1
58	Grease nipple	90201	G1/8"		2
59	Reducer	903251	G3/8" / 1/8"		2
60	Usit-ring	94092	U17.4-24-1.5		2
Kit	Label set	110145			1
	*) Are included in seal set				

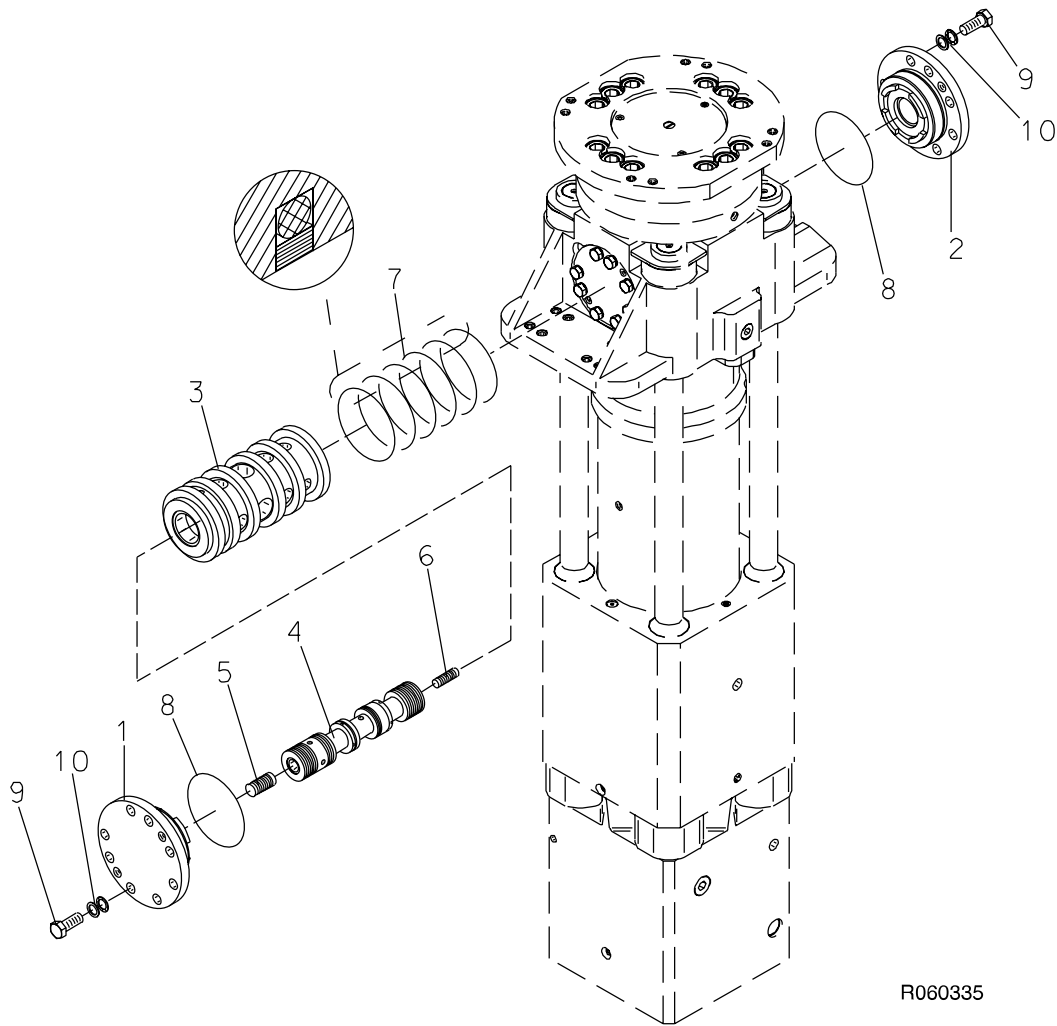
3. ACCUMULATOR G 130



R060332

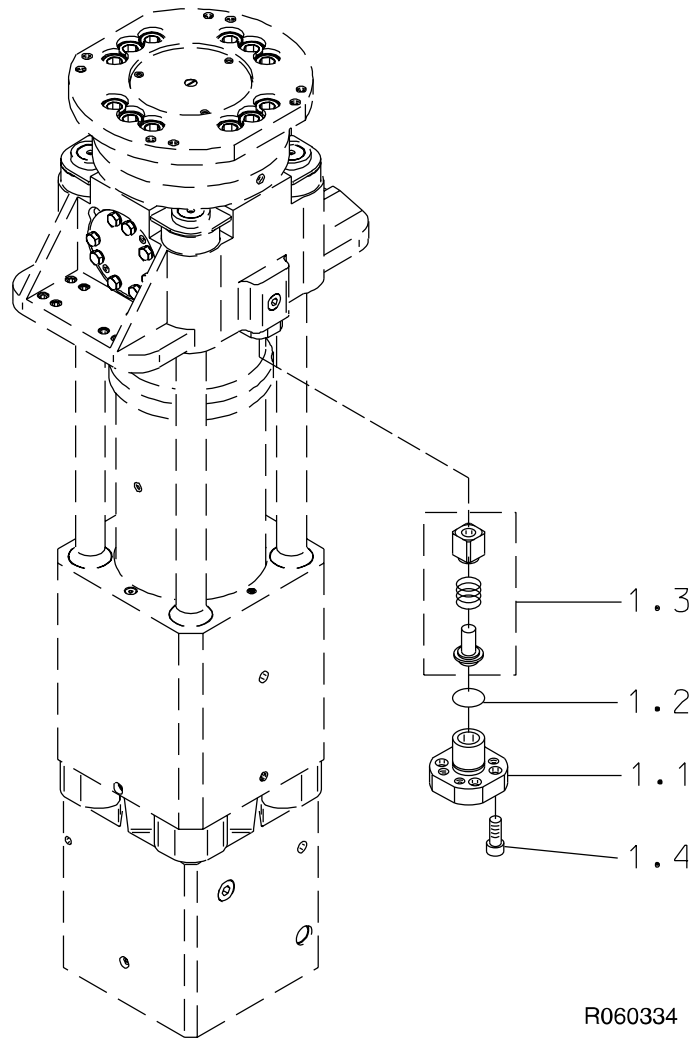
Item	Description	Part no.	Specification	Note	Qty
1	Accumulator (incl. parts 1.1-1.11)	105294			1
1.1	Accumulator bottom	200098			1
1.2	Accumulator cover	200097			1
1.3	Membrane	21035			1
1.5	Filling plug	42074			1
1.6	Seal	400051	D189	*	1
1.7	Parallel pin	90304	10m6x24 DIN 6325		2
1.8	Accumulator screw	301022			8
1.9	Usit-ring	90056	D9	*	1
1.10	Accumulator screw	300059			12
1.11	Plate	100272			1
	*) Are included in seal set				

4. MAIN VALVE G 130



Item	Description	Part no.	Specification	Note	Qty
1	Cover	200103			1
2	Cover	105174			1
3	Main valve bushing	111602			1
4	Main spool	110974			1
5	Spool	110986			1
6	Spool	110781			1
7	Seal	105170		*	6
8	O-ring	903188	D140	*	2
9	Hex. screw	90569	M20x50-8.8 DIN 933		16
10	Lock washer	91010	M20 NORD-LOCK		16
	*) Are included in seal set				

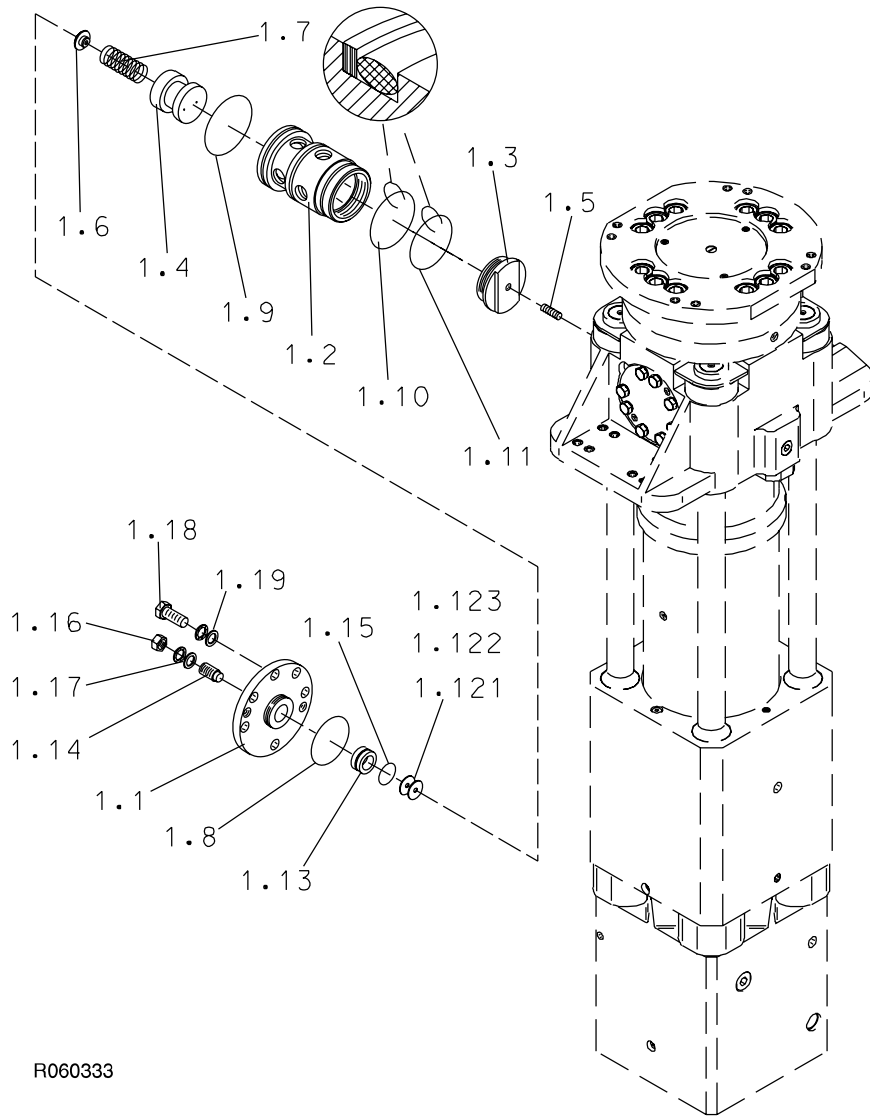
5. CHECK VALVE G 130



R060334

Item	Description	Part no.	Specification	Note	Qty
1	Check valve (incl. parts 1.1-1.4)	105297			1
1.1	Check valve bushing	31845			1
1.2	O-ring	94047	D38	*	1
1.3	Check valve	95667			1
1.4	Hex. socket screw	91100	M16x40-8.8 DIN 912		4
	*) Are included in seal set				

6. PRESSURE CONTROL VALVE G 130



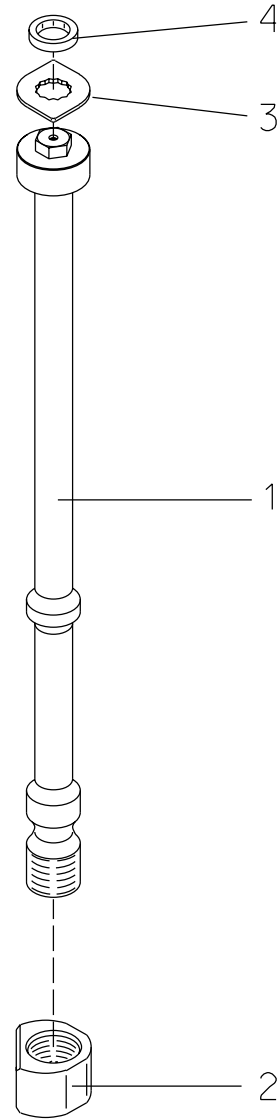
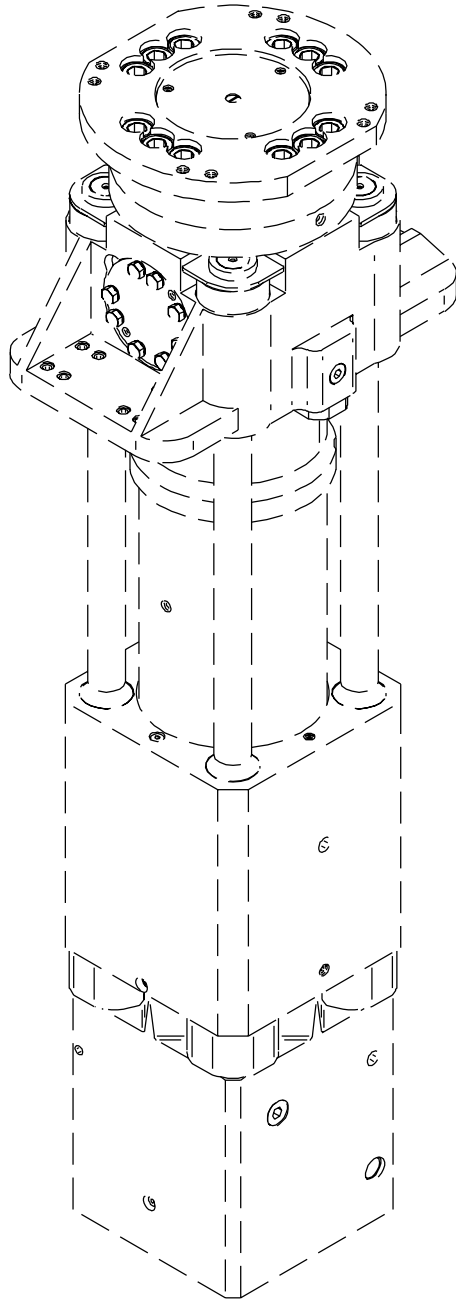
R060333

Item	Description	Part no.	Specification	Note	Qty
1	Pressure control valve (incl. parts 1.1-1.19)	105295			1
1.1	Cover	105211			1
1.2	Valve housing	102161			1
1.3	Guide	111577			1
1.4	Spool	106208			1
1.5	Spool	111576			1
1.6	Spring guide	111608			1
1.7	Spring	901284			1
1.8	O-ring	90030	D75	*	1

PRESSURE CONTROL VALVE G 130

Item	Description	Part no.	Specification	Note	Qty
1.9	O-ring	94068	D95	*	1
1.10	Seal	400058	D90	*	1
1.11	Seal	400057	D85	*	1
1.121	Shim plate	42361	S=1.5		1
1.122	Shim plate	42362	S=1.25		1
1.123	Shim plate	42363	S=0.9		1
1.13	Spring guide	105209			1
1.14	Screw	105208			1
1.15	O-ring	910019	D42	*	1
1.16	Hex. nut	91030	M24-8 DIN 934		1
1.17	Lock washer	91038	M24 NORD-LOCK		1
1.18	Hex. screw	951049	M16x50-12.9 DIN 933		7
1.19	Lock washer	90597	M16 NORD-LOCK		7
	*) Are included in seal set				

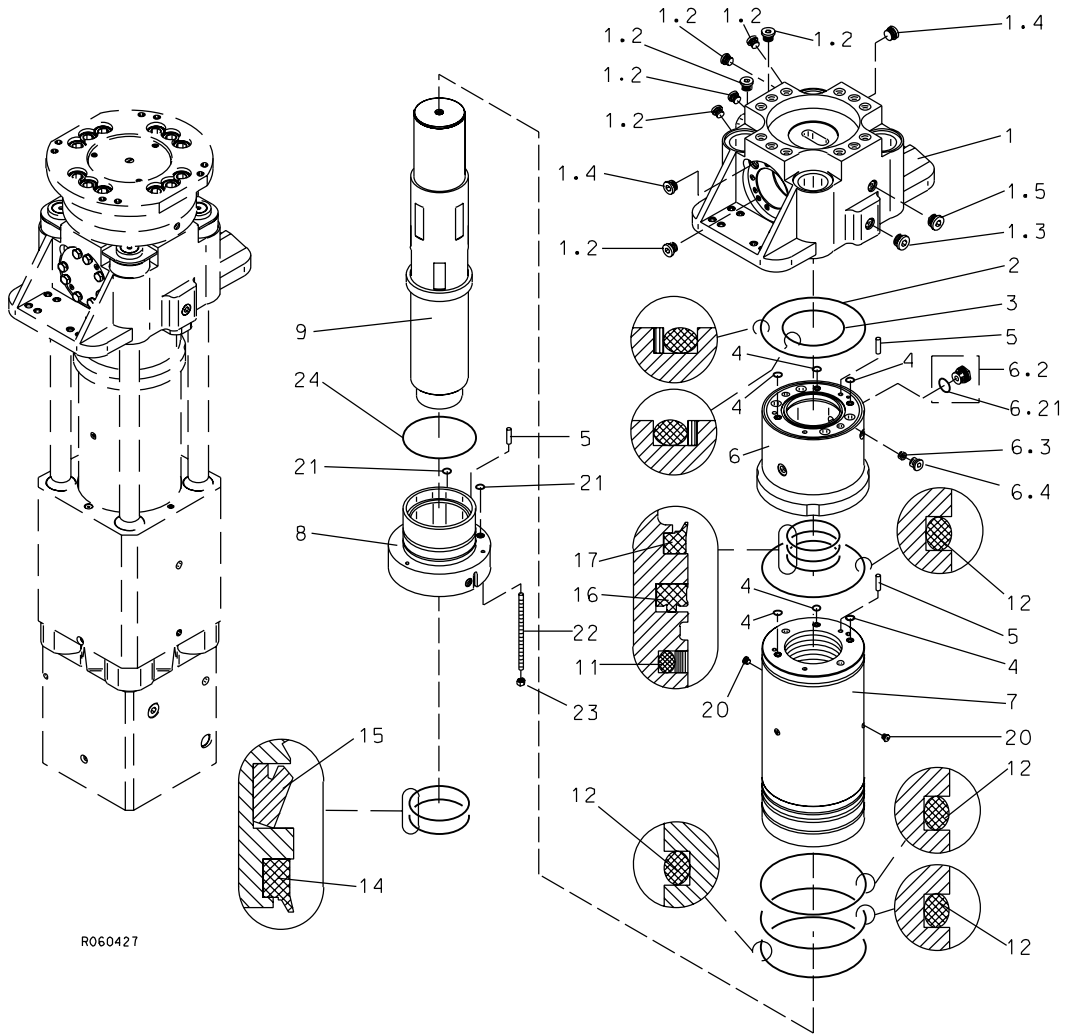
7. TIE RODS G 130



R060336

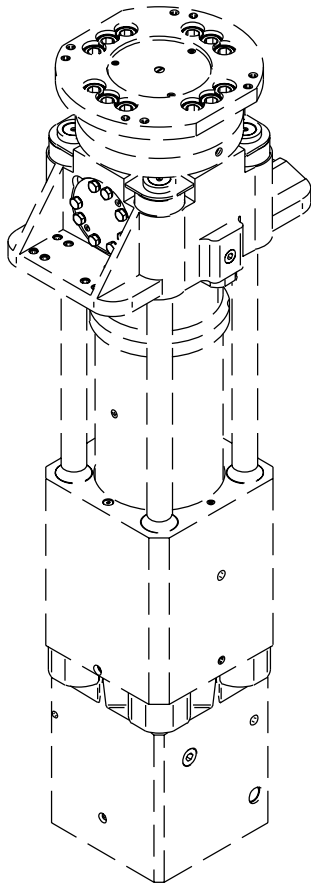
Item	Description	Part no.	Specification	Note	Qty
1	Tie rod	105726			4
2	Tie rod nut	105751			4
3	Lock plate	400048			4
4	Rubber ring	40586			4

8. BODY PARTS G 130

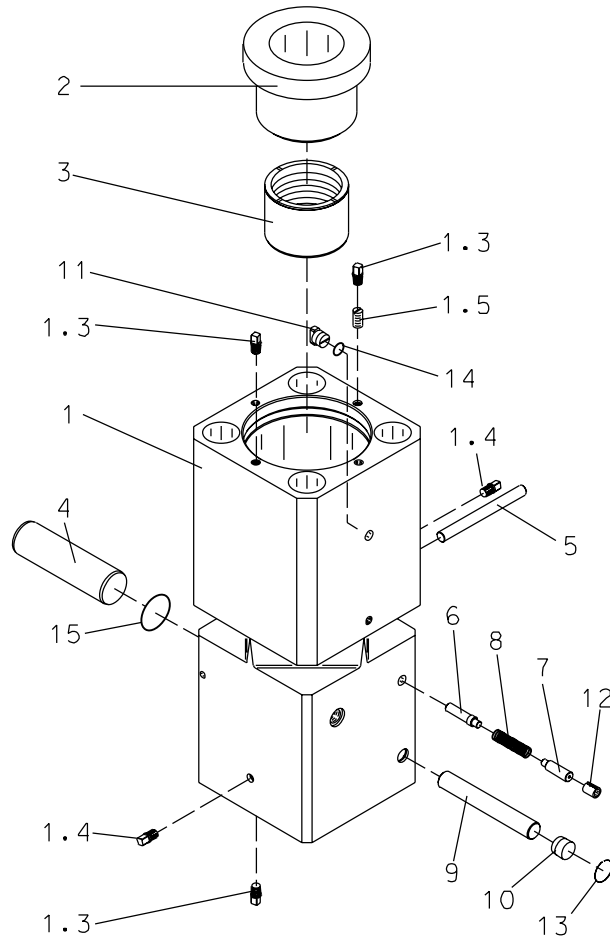


Item	Description	Part no.	Specification	Note	Qty
1	Valve body (incl. parts 1.2-1.5)	105307			1
1.2	Flange plug	90444	G3/8		7
1.3	Flange plug	90410	G1		1
1.4	Flange plug	93215	G1 1/4		2
1.5	Flange plug	90424	G 1/2		1
2	Seal	400053	D320	*	1
3	Seal	400052	D200	*	1
4	O-ring	910018	D21	*	6
5	Parallel pin	90365	16m6x60 DIN 6325		3
6	Seal carrier (incl. parts 6.2-6.4)	105261			1
6.2	Breather (incl. part 6.21)	103605			1
6.21	O-ring	901024	D34	*	1
6.3	Taper plug	93099	G3/8 DIN 906		1
6.4	Flange plug	90424	G1/2		1
7	Cylinder	110752			1
8	Seal carrier	112314			1
9	Piston	105669			1
11	Seal	111912		*	1
12	O-ring	94135	D319	*	4
14	Wiper	913003	D195	*	1
15	Seal	903370	D195	*	1
16	Seal	94152	D175	*	1
17	Wiper	913002	D175	*	1
20	Flange plug	90403	G1/4		2
21	O-ring	90000	D24	*	2
22	Threaded rod	111794			3
23	Hex. nut	902000	M12-Pa 6.6 DIN 934		3
24	O-ring	90003	D239	*	1
	*) Are included in seal set				

9. FRONT HEAD G 130



R060426

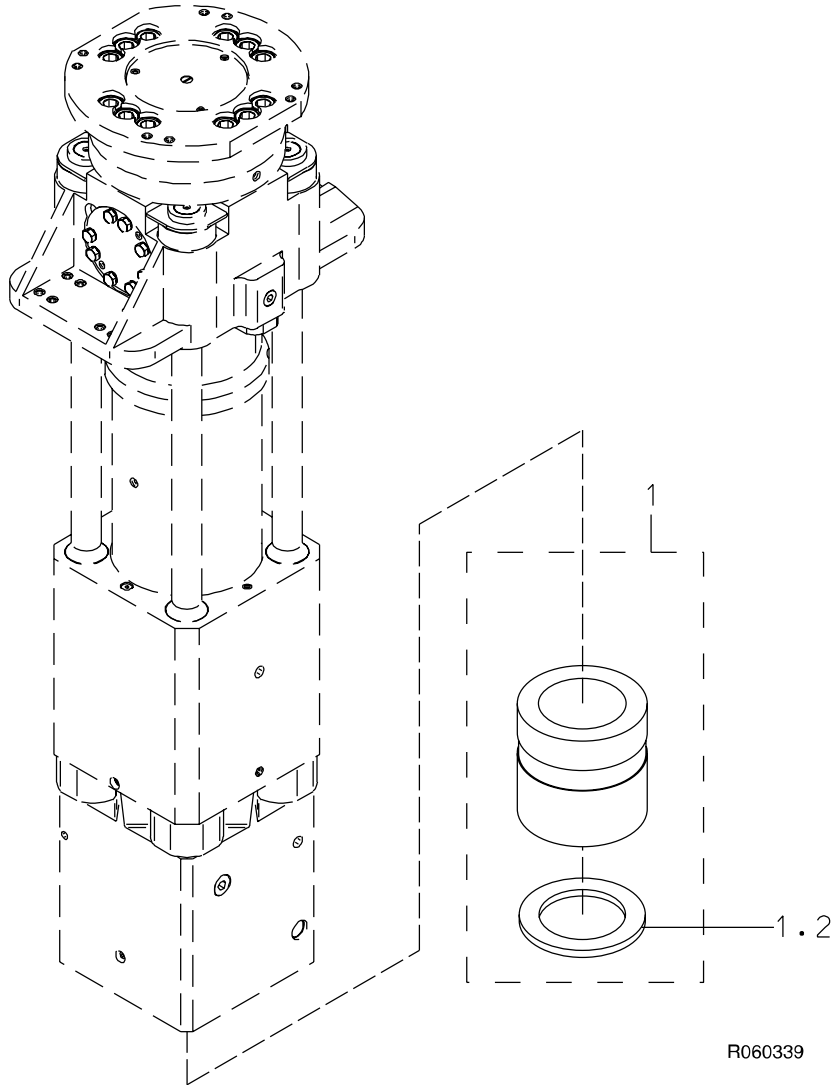


Item	Description	Part no.	Specification	Note	Qty
1	Front head (incl. parts 1.3-1.5)	105139			1
1.3	Plug	111404			3
1.4	Plug	111399			2
1.5	Plug	151618			1
2	Thrust ring	300052			1
3	Upper tool bushing	300316			1
4	Retaining pin	400040	D100		1
5	Retaining pin	400416	D30		1
6	Retaining pin	400415	D28		1
7	Spring guide	400424			1
8	Spring	42428			1
9	Retaining pin	105175			1
10	Pin	105176			2
11	Wedge	40110			1

FRONT HEAD G 130

Item	Description	Part no.	Specification	Note	Qty
12	Split pin	904006	30x40 DIN 1481		1
13	Spring ring	902807	B50 DIN 7993		2
14	O-ring	90000	D24	*	1
15	O-ring	90042	D99	*	1
	*) Are included in seal set				

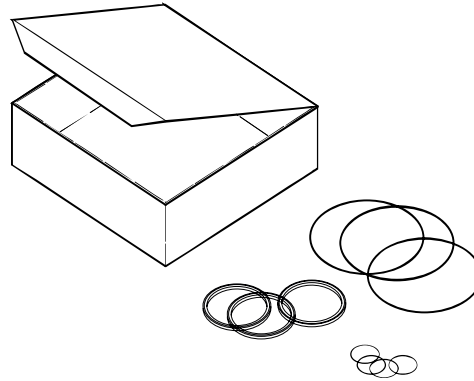
10. LOWER TOOL BUSHING G 130



R060339

Item	Description	Part no.	Specification	Note	Qty
1	Lower tool bushing (incl. part 1.2)	105328			1
1.2	Seal	103612	D204		1

11. SEAL SET G 130



R060012

Item	Description	Part no.	Specification	Note	Qty
Kit	Seal set (incl. parts 1-29)	106893			1
1	Seal	400051	D189		1
2	Usit-ring	90056	D9		1
3	Seal	105170			6
4	O-ring	903188	D140		2
5	O-ring	94047	D38		1
6	O-ring	90030	D75		1
7	O-ring	94068	D95		1
8	Seal	400058	D90		1
9	Seal	400057	D85		1
10	O-ring	910019	D42		1
11	Seal	400053	D320		2
12	Seal	400052	D200		1
13	O-ring	910018	D21		6
14	O-ring	901024	D34		1
15	Seal	111912			1
16	O-ring	94135	D319		4
18	Wiper	913003	D195		1
19	Seal	903370	D195		1
20	Seal	94152	D175		1
21	Wiper	913002	D175		1
22	O-ring	90012	D19		4
23	O-ring	90003	D239		1
24	O-ring	90000	D24		6
25	O-ring	90042	D99		1
27	O-ring	910000	D47		2
28	O-ring	90009	D38		1
29	O-ring	94021	D57		1

SANDVIK TAMROCK CORP.
Breakers Lahti
Taivalkatu 8, P.O. Box 165, FIN-15101 Lahti, Finland
Phone Int. +358 205 44 161, Telefax Int. +358 205 44 160
Internet <http://www.rammer.com>

9-36-14014-24-180-42
9-36-14014-27-148-252