

PARTS MANUAL

PMS21ENG.000

HYDRAULIC HAMMER
RAMMER S 21
RAMMER S 21 CITY
RAMMER S 21 UNIRAM

SERIAL NO.

21AAA0005-UP

21ADA0005-UP

21ATA0005-UP

TABLE OF CONTENTS

1. Housing unit S 21	4
2. Housing unit S 21 CITY	5
3. Housing unit S 21 UNIRAM.	6
4. Low pressure accumulator S 21	7
5. High pressure accumulator S 21	8
6. Pressure adjusting valve S 21.	9
7. Tie rod S 21	10
8. Valve body and distributor S 21	11
9. Cylinder and piston S 21.	12
10. Front head S 21.	13
11. Lower tool bushing S 21	14
12. Seal set S 21	15

GENUINE RAMMER SPARE PARTS

Rammer genuine spare parts are designed and manufactured by using the latest technological knowledge and engineering skills. Rammer spare parts are made of the best available materials with the most advanced manufacturing techniques.

It is important that you use only genuine Rammer spare parts, to ensure easy operation, maintenance and repair of the product. Please note that eventual warranty claims will be handled only if you have used genuine Rammer parts in your Rammer.

LOCATION OF THE SERIAL NUMBER

It's important to make correct reference to the serial number of the product when ordering spare parts. Identification of serial number is the only proper means of maintaining and identifying parts for a specific product. The location of equipment serial number is pointed in "Operation and maintenance" manual.

SPARE PART ORDERS

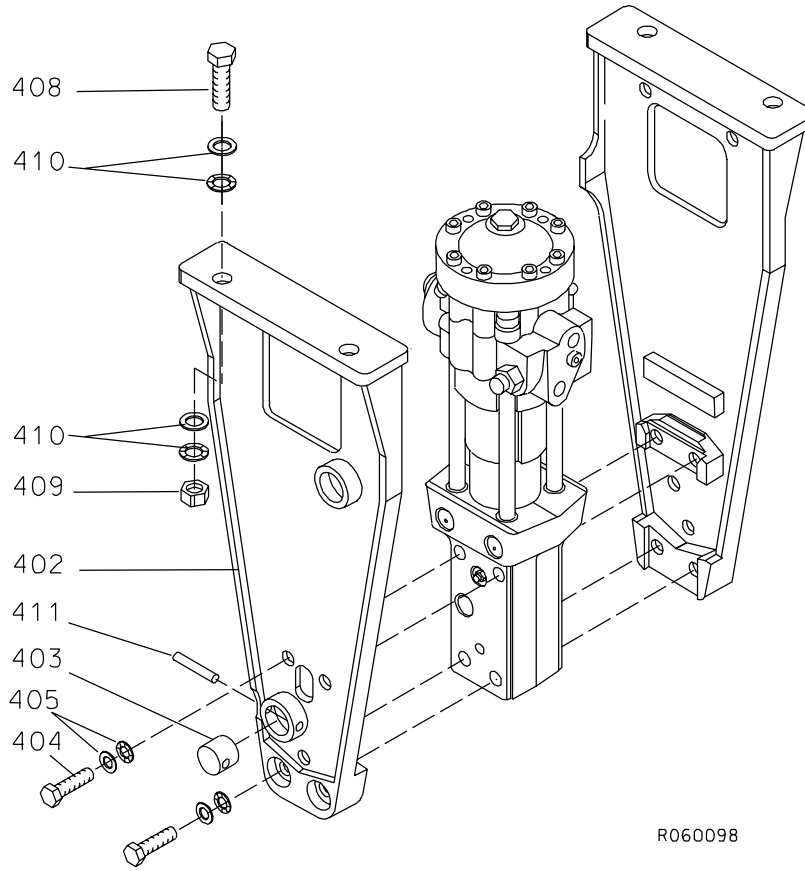
Quick spare part deliveries are secured by exact orders.

Required information:

- Name of customer and contact person
 - Order number (when available)
 - Delivery address
 - Mode of delivery (air mail etc.)
 - Required delivery date
 - Invoicing address
 - Model and serial number of the product
 - Name, number and required amount of spare parts
-

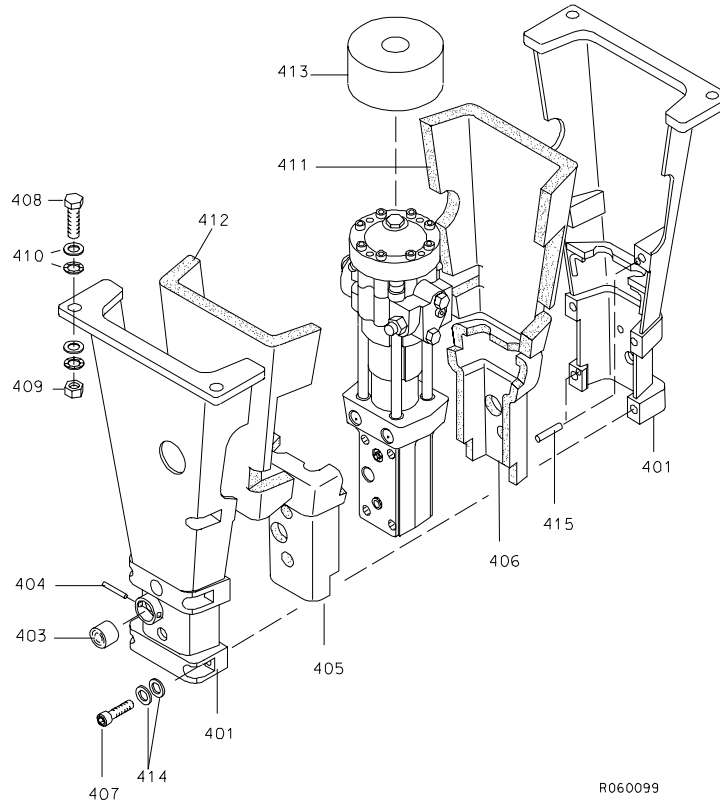
PARTS

1. HOUSING UNIT S 21



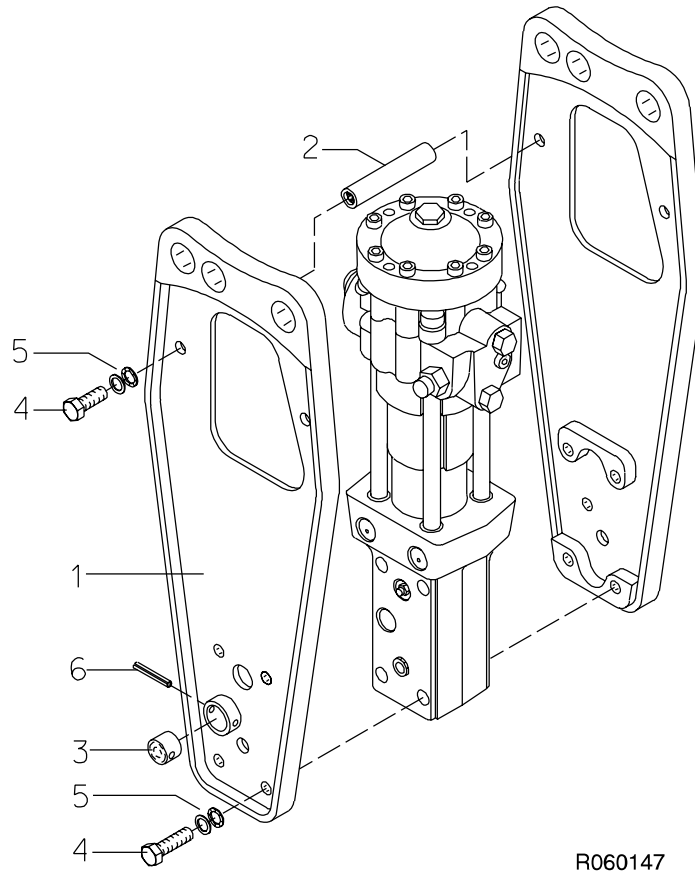
Item	Description	Part no.	Specification	Note	Qty
402	Housing plates	100261			1
403	Buffer	400214			1
404	Hex. screw	900010	M16x50-10.9 DIN 933		8
405	Lock washer	90597	M16 NORD-LOCK		8
408	Hex. screw	91027	M20x70-8.8 DIN 931		4
409	Hex. nut	91017	M20-8 DIN 934		4
410	Lock washer	91010	M20 NORD-LOCK		8
411	Split pin	90345	10x70 DIN 7343		1
Kit	Label set	400282			1

2. HOUSING UNIT S 21 CITY



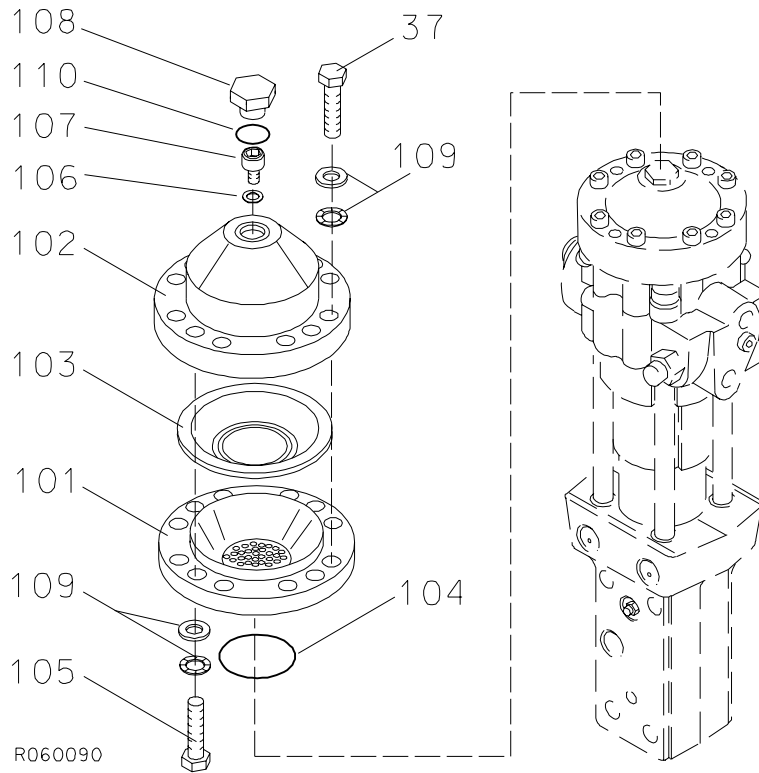
Item	Description	Part no.	Specification	Note	Qty
401	Housing plates	400392			1
403	Buffer	400214			1
404	Split pin	90345	10x70 DIN 7343		1
405	Damper, left	100300			1
406	Damper, right	100309			1
407	Hex. socket screw	91105	M16x70-8.8 DIN 912		6
408	Hex. screw	91027	M20x70-8.8 DIN 931		4
409	Hex. nut	91017	M20-8 DIN 934		4
410	Lock washer	91010	M20 NORD-LOCK		8
411	Upper muffler, right	200294			1
412	Upper muffler, left	200295			1
413	Buffer	200517			1
414	Lock washer	90597	M16 NORD-LOCK		6
415	Parallel pin	901101	10m6x70 DIN 6325		2
Kit	Label set	300626			1

3. HOUSING UNIT S 21 UNIRAM



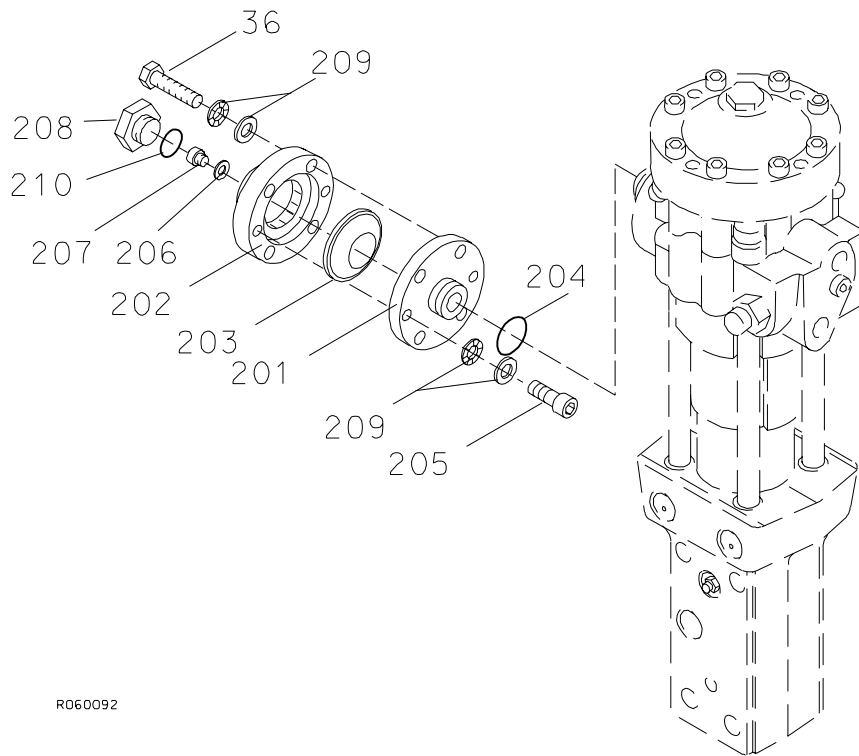
Item	Description	Part no.	Specification	Note	Qty
1	Housing plates	104109			1
2	Sleeve	300841			2
3	Buffer	400214			1
4	Hex. screw	900010	M16x50-10.9 DIN 933		12
5	Lock washer	90597	M16 NORD-LOCK		12
6	Split pin	90345	10x70 DIN 7343		1
Kit	Label set	104111			1

4. LOW PRESSURE ACCUMULATOR S 21



Item	Description	Part no.	Specification	Note	Qty
1	Low pressure accumulator (incl. parts 101-110)	300142			1
101	Accumulator bottom	200136			1
102	Accumulator cover	200137			1
103	Membrane	300177			1
104	O-ring	90030	D75	*	1
105	Hex. socket screw	91021	M12x50-8.8 DIN 912		4
106	Usit-ring	90056	D9	*	1
107	Filling plug	42074			1
108	Shield plug	400300			1
109	Lock washer	91012	M12 NORD-LOCK		12
110	O-ring	910006	D23	*	1
37	Hex. socket screw	900000	M12x70-8.8 DIN 912		8
	*) Are included in seal set				

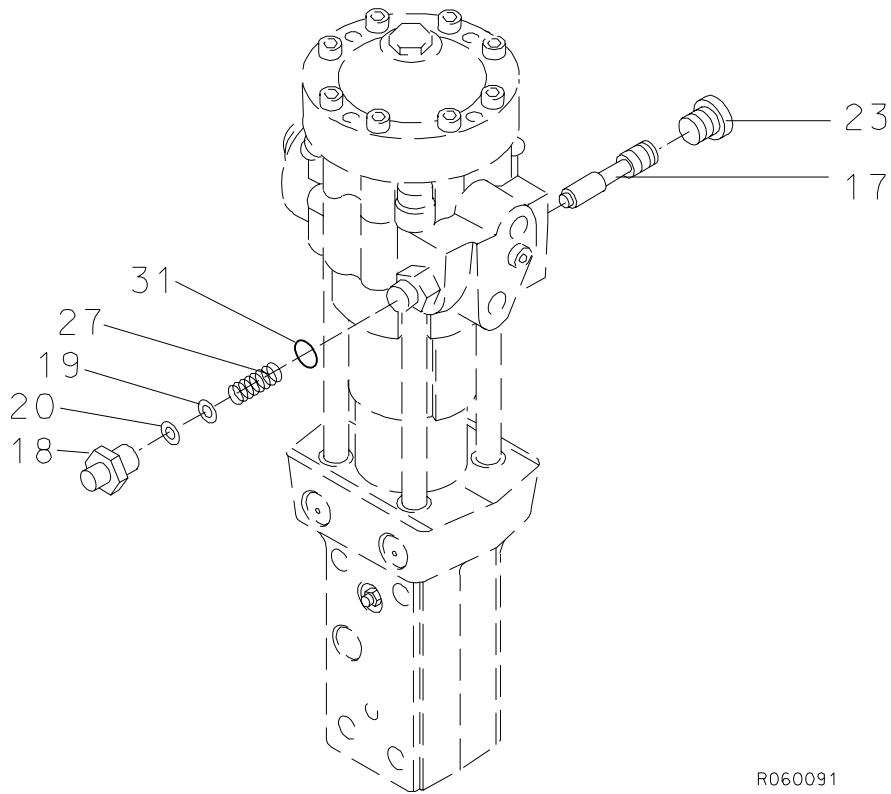
5. HIGH PRESSURE ACCUMULATOR S 21



R060092

Item	Description	Part no.	Specification	Note	Qty
2	High pressure accumulator (incl. parts 201-210)	300143			1
201	Accumulator bottom	300144			1
202	Accumulator cover	300145			1
203	Membrane	300176			1
204	O-ring	90017	D34	*	1
205	Hex. socket screw	91045	M12x30-8.8 DIN 912		2
206	Usit-ring	90056	D9	*	1
207	Filling plug	42074			1
208	Shield plug	400300			1
209	Lock washer	91012	M12 NORD-LOCK		6
210	O-ring	910006	D23	*	1
36	Hex. socket screw	91021	M12x50-8.8 DIN 912		4
	*) Are included in seal set				

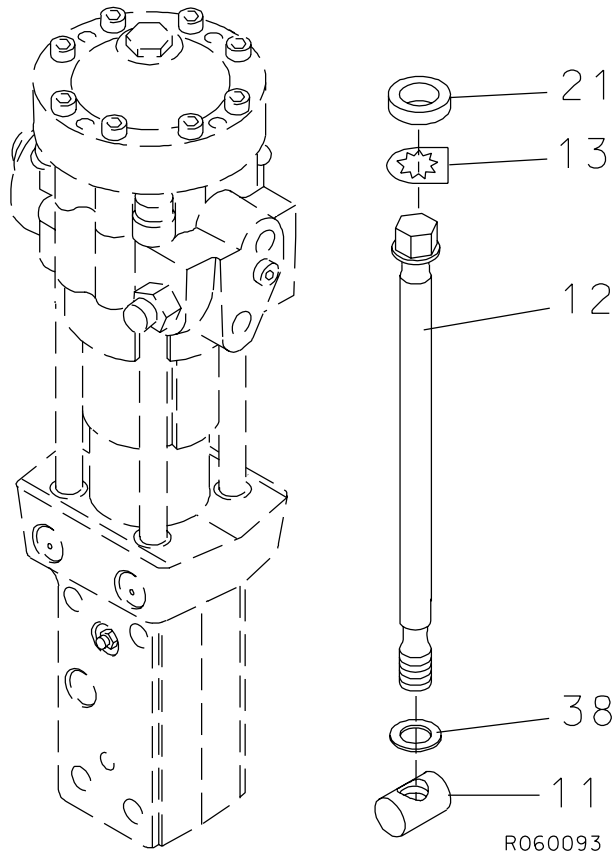
6. PRESSURE ADJUSTING VALVE S 21



R060091

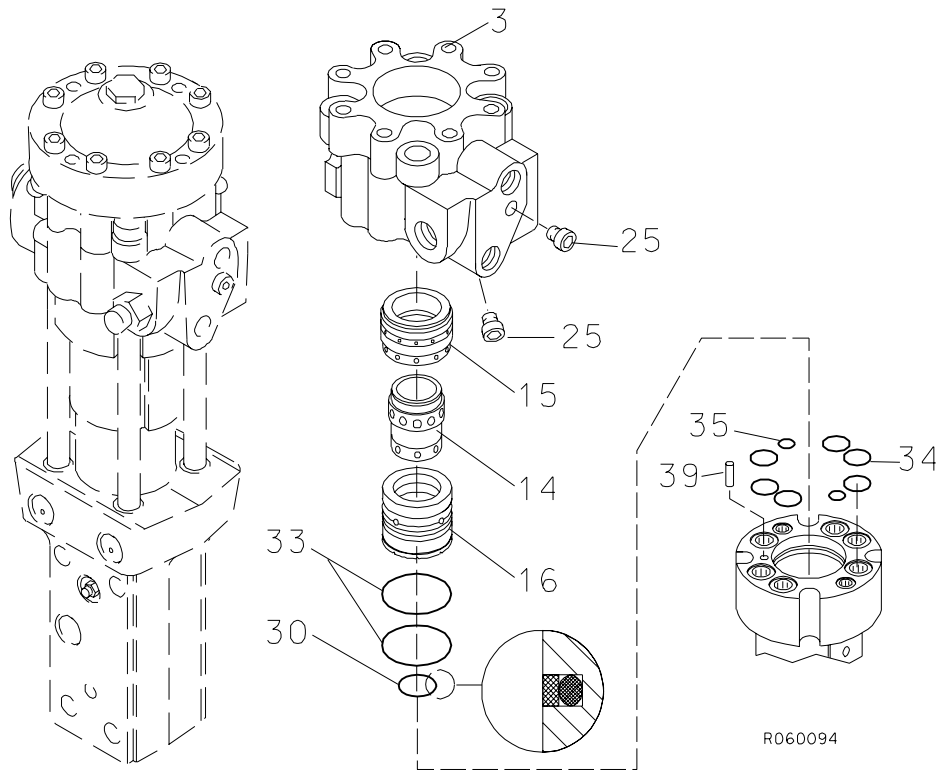
Item	Description	Part no.	Specification	Note	Qty
17	Pressure adjusting spool	300152			1
18	Spring housing	42076			1
19	Shim plate	41640	S=1		X
20	Shim plate	41639	S=0.5		X
23	Flange plug	90401	R3/4		1
27	Spring	90114			1
31	Seal	911036	D20	*	1
	*) Are included in seal set				

7. TIE ROD S 21



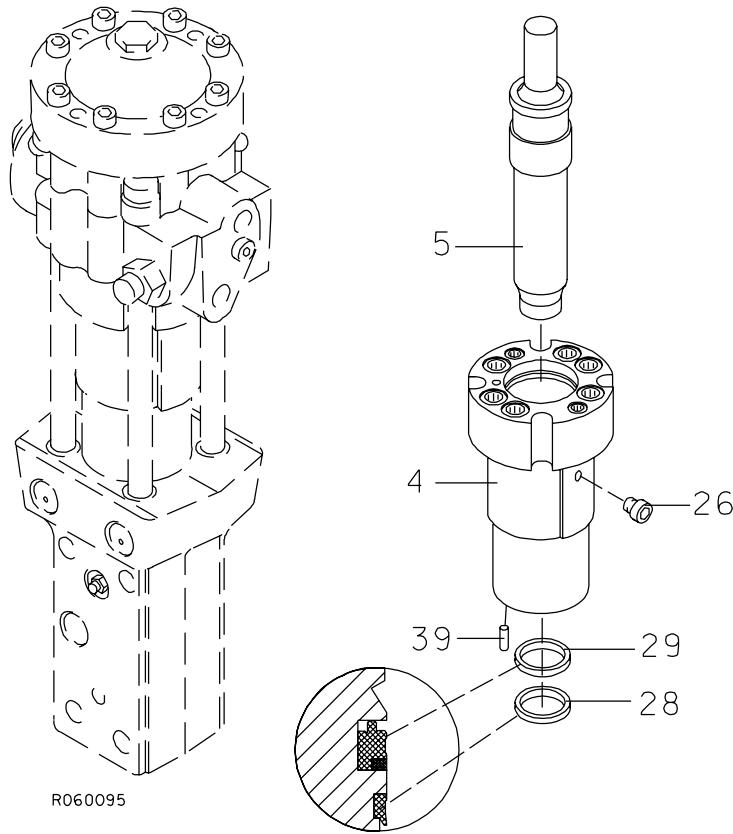
Item	Description	Part no.	Specification	Note	Qty
11	Tie rod nut	400143			4
12	Tie rod	300149			4
13	Lock plate	400144			4
21	Rubber ring	400215			4
38	Washer	91138	21 DIN 6916		4

8. VALVE BODY AND DISTRIBUTOR S 21



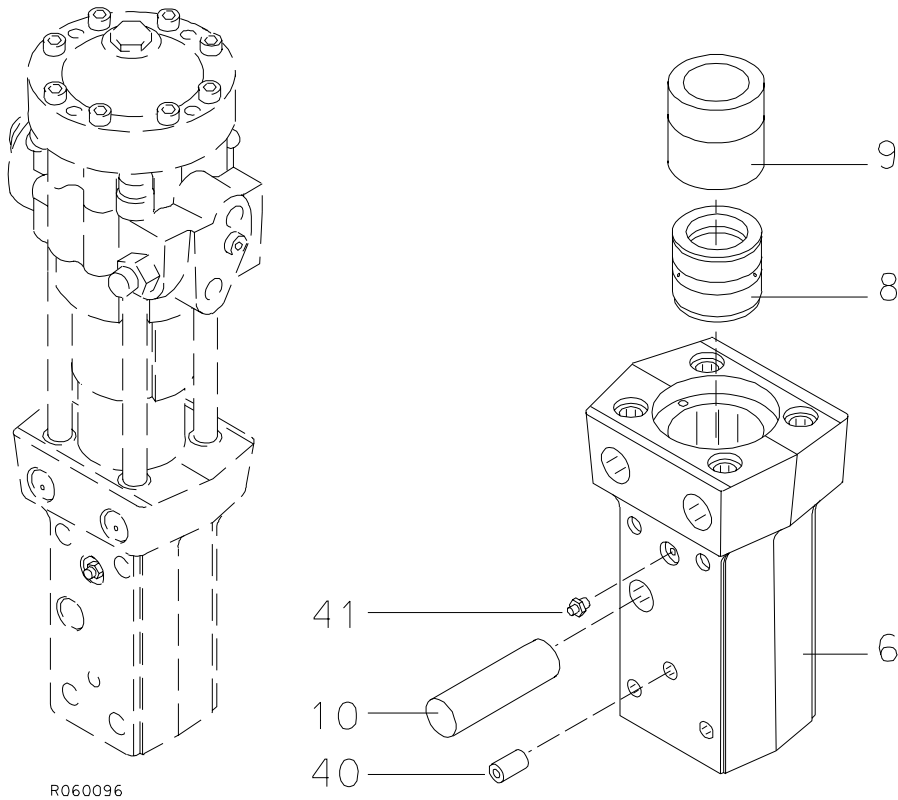
Item	Description	Part no.	Specification	Note	Qty
3	Valve body (incl. part 25)	100113			1
14	Distributor	300385			1
15	Assembly ring	300157			1
16	Steering bush	300386			1
25	Flange plug	90403	R1/4		2
30	Seal	94156	D30	*	1
33	O-ring	90038	D57	*	2
34	O-ring	90001	D20	*	6
35	O-ring	94157	D10	*	2
39	Parallel pin	90371	6m6x18 DIN 6325		1
	*) Are included in seal set				

9. CYLINDER AND PISTON S 21



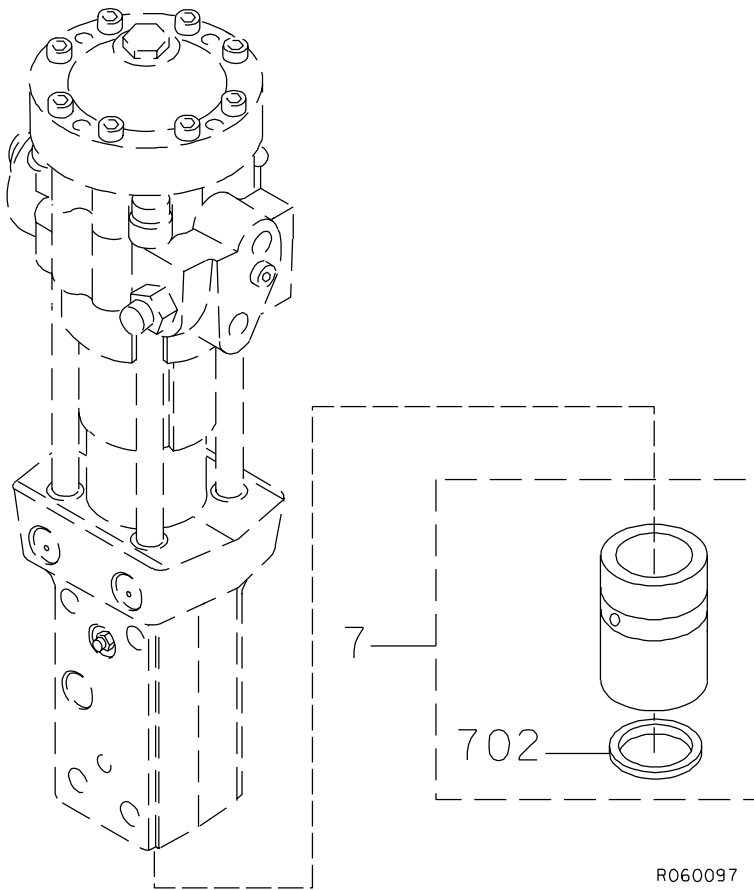
Item	Description	Part no.	Specification	Note	Qty
4	Cylinder (incl. part 26)	100114			1
5	Piston	200139			1
26	Flange plug	93203	R1/8		2
28	Wiper	94154	D45	*	1
29	Seal	94155	D45	*	1
39	Parallel pin	90371	6m6x18 DIN 6325		1
	*) Are included in seal set				

10. FRONT HEAD S 21



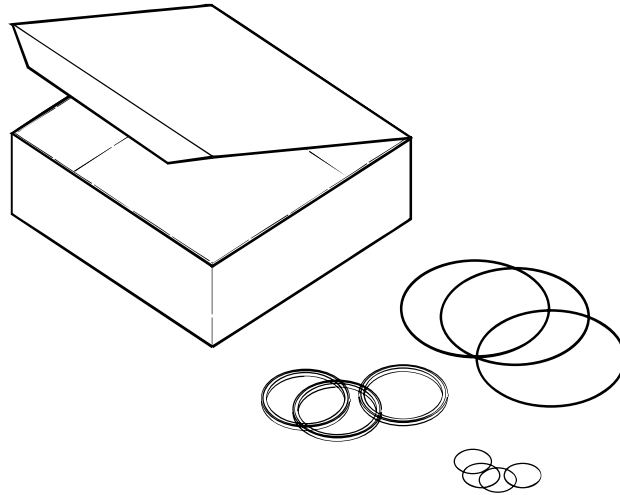
Item	Description	Part no.	Specification	Note	Qty
6	Front head (incl. part 41)	100253			1
8	Upper tool bushing	300148			1
9	Thrust ring	400141			1
10	Retaining pin	400142	D28		1
40	Locking pin	400301			2
41	Grease nipple	90201	R1/8		1

11. LOWER TOOL BUSHING S 21



Item	Description	Part no.	Specification	Note	Qty
7	Lower tool bushing (incl. part 702)	101310			1
702	Seal	94159	D45	*	1
	*) Are included in seal set				

12. SEAL SET S 21



R060012

Item	Description	Part no.	Specification	Note	Qty
Kit	Seal set (incl. parts 1-12)	42370			1
1	Wiper	94154	D45		1
2	Seal	94155	D45		1
3	Seal	94156	D30		1
4	Seal	911036	D20		1
5	Seal	94159	D45		1
6	O-ring	90038	D57		2
7	O-ring	90001	D20		6
8	O-ring	94157	D10		2
9	O-ring	90030	D75		1
10	O-ring	90017	D34		1
11	O-ring	910006	D23		2
12	Usit-ring	90056	U8.7-14-1		2

SANDVIK TAMROCK CORP.
Breakers Lahti
Taivalkatu 8, P.O. Box 165, FIN-15101 Lahti, Finland
Phone Int. +358 205 44 161, Telefax Int. +358 205 44 160,
Internet <http://www.rammer.com>

15-40-14000-33-168-0
15-40-14000-45-120-252