

ENG B/01

PARTS MANUAL
PMRB42NENG.B01

PULVERIZER
RAMMER RB 42 N

Serial No.
RB42NAC0011-UP

TABLE OF CONTENTS

1. Cylinder RB 42 N	4
2. Hydraulics RB 42 N	5
3. Hydraulics RB 42 N QUICK.	6
4. Body parts RB 42 N	8
5. Wear items RB 42 N.	10

GENUINE RAMMER SPARE PARTS

Rammer genuine spare parts are designed and manufactured by using the latest technological knowledge and engineering skills. Rammer spare parts are made of the best available materials with the most advanced manufacturing techniques.

It is important that you use only genuine Rammer spare parts, to ensure easy operation, maintenance and repair of the product. Please note that eventual warranty claims will be handled only if you have used genuine Rammer parts in your Rammer.

LOCATION OF THE SERIAL NUMBER

It's important to make correct reference to the serial number of the product when ordering spare parts. Identification of serial number is the only proper means of maintaining and identifying parts for a specific product. The location of equipment serial number is pointed in "Operation and maintenance" manual.

SPARE PART ORDERS

Quick spare part deliveries are secured by exact orders.

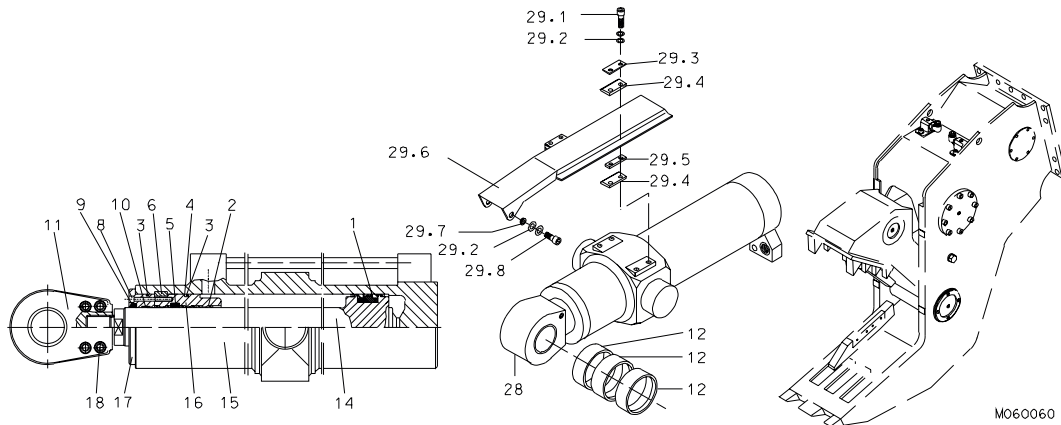
Required information:

- Name of customer and contact person
 - Order number (when available)
 - Delivery address
 - Mode of delivery (air mail etc.)
 - Required delivery date
 - Invoicing address
 - Model and serial number of the product
 - Name, number and required amount of spare parts
-

PARTS

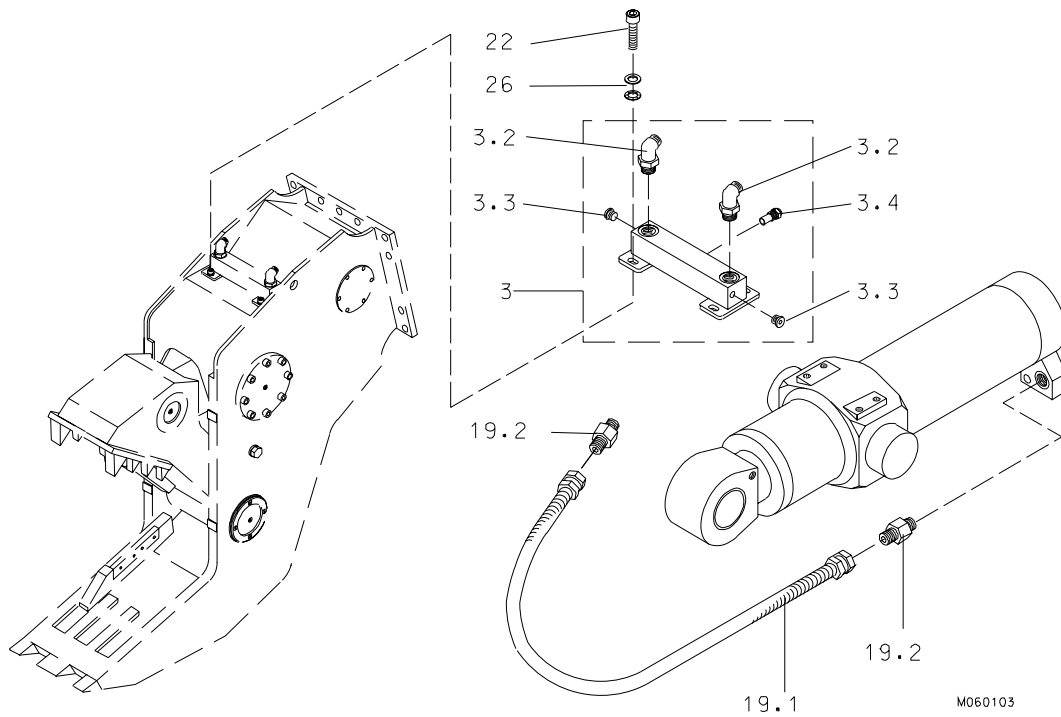
CYLINDER RB 42 N

1. CYLINDER RB 42 N



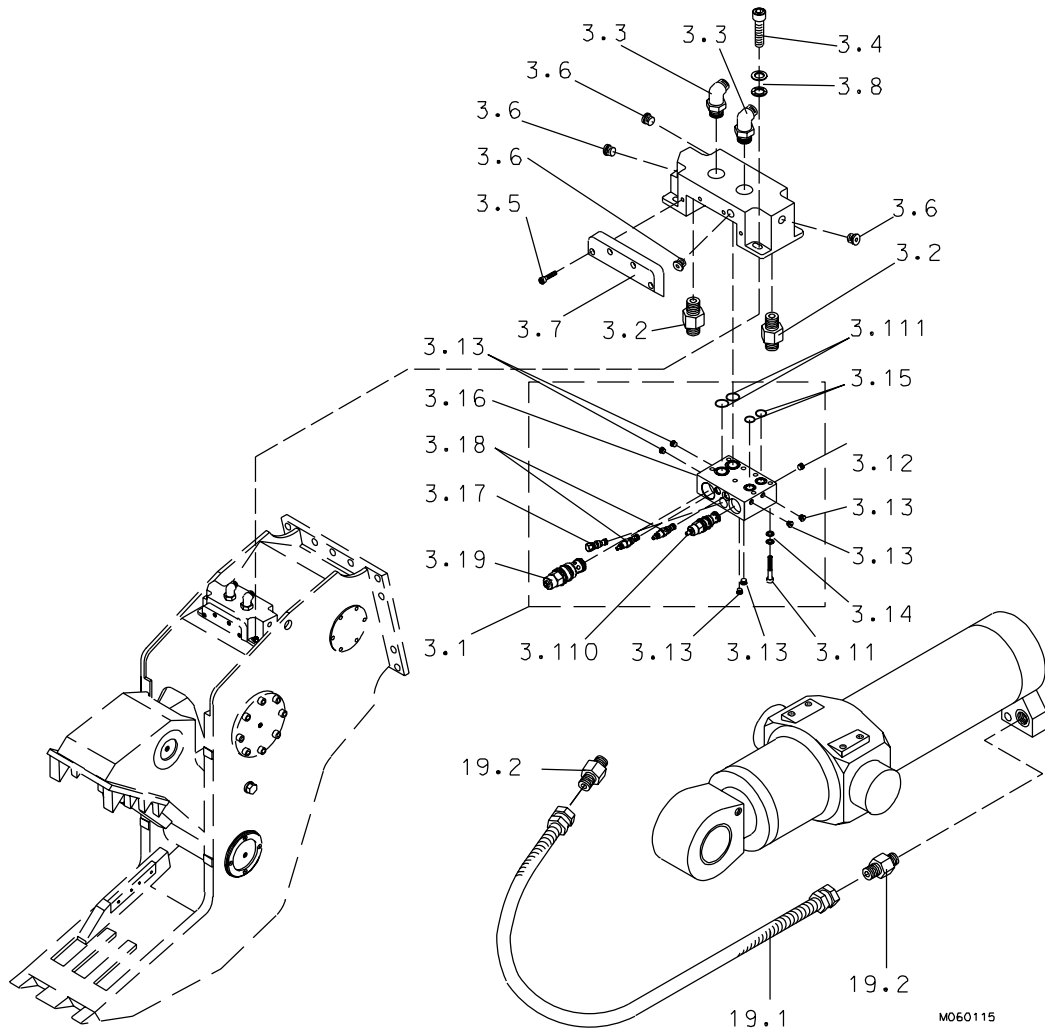
Item	Description	Part no.	Specification	Note	Qty
28	Hydraulic cylinder (incl. parts 1-18)	901905			1
1	Seal	902649	210/185x58		1
2	Steering ring	902650	160x35		3
3	O-ring	902651	209.3x5.7		2
4	Supporting ring	902652	160/180x16		1
5	Seal	902653	160/180x16		1
6	Lock ring	902654			1
8	Hex. socket screw	902656	M10x60-8.8 DIN 912		4
9	Wiper	902657	160		1
10	Slide ring	902648	160/166x20		1
11	Link ear plate	902658			1
12	Bearing bushing	902302	120/125x50		3
14	Shaft	902661			1
15	Pipe	902662			1
16	Guide	902663			1
17	Cover	902664			1
18	Hex. socket screw	900022	M20x120-8.8 DIN 912		4
19	Seal set for cylinder	902003			1
29	Cylinder shield (incl. parts 29.1-29.8)	140513			1
29.1	Hex. screw	90544	M16x60-8.8 DIN 931		4
29.2	Lock washer	90597	M16 NORD-LOCK		6
29.3	Support plate	140507			2
29.4	Slide Plate	140509			4
29.5	Spacer plate	140508			2
29.6	Shield plate	140517			1
29.7	Bushing	140511			2
29.8	Hex. screw	90514	M16x30-8.8 DIN 933		2

2. HYDRAULICS RB 42 N



Item	Description	Part no.	Specification	Note	Qty
3	Valve body (incl. parts 3.2-3.4)	112597			1
3.2	Elbow	901883	V40XS32-1 1/4		2
3.3	Flange plug	90424	G1/2		2
3.4	Valve	903278	SUN RPGC-LAN T-3A		1
19	Hose assembly (incl. parts 19.1-19.2)	111151			2
19.1	Hose assembly	901885			2
19.2	Adapter	901884	F40XS32 - 1 1/4		4
22	Hex. socket screw	91100	M16x40-8.8 DIN 912		4
26	Lock washer	90597	M16 NORD-LOCK		4

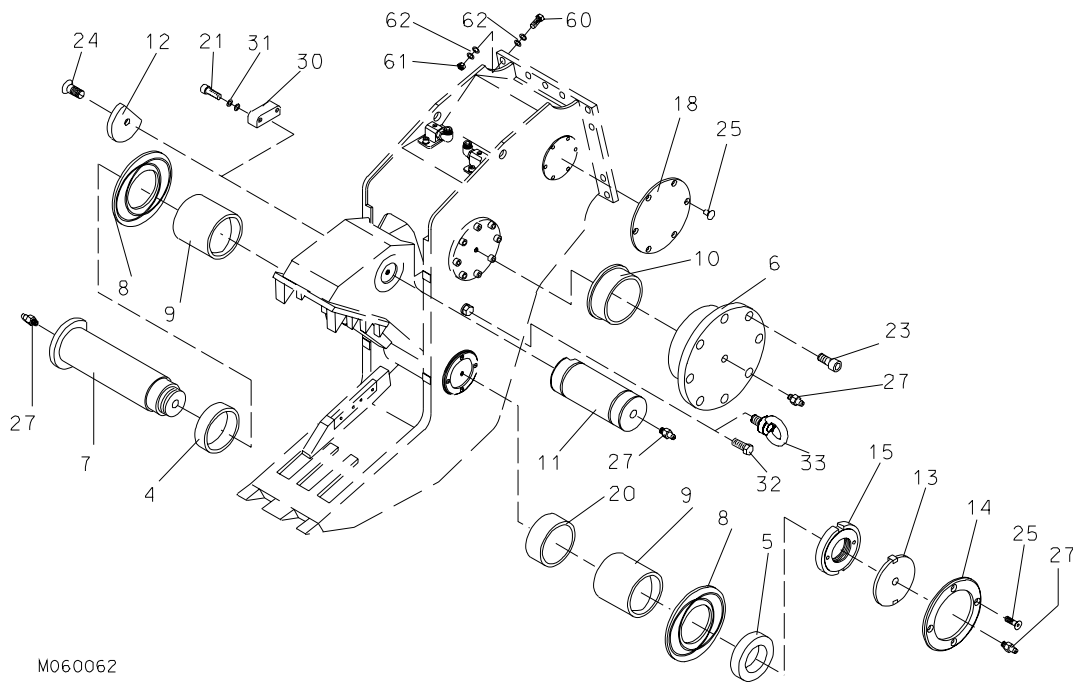
3. HYDRAULICS RB 42 N QUICK



Item	Description	Part no.	Specification	Note	Qty
3	Valve Body (incl. parts 3.1-3.8)	150529			1
3.1	Valve (incl. parts 3.11-3.111)	112641			1
3.11	Hex. socket screw	902465	M12x80-10.9 ISO 4762		7
3.12	Flange plug	90403	G1/4		1
3.13	Flange plug	93203	G1/8		6
3.14	Lock washer	91012	M12 NORD-LOCK		7
3.15	O-ring	94022	D28		2
3.16	Body	112639			1
3.17	Valve	903164	SUN CSAD-XXN T-11A		1
3.18	Valve	903165	SUN NFCC-LCN T-13A		2
3.19	Valve	903279	SUN CBIA-LHN T-19A		1
3.110	Valve	903167	SUN RSHC-LAN T-17A		1

Item	Description	Part no.	Specification	Note	Qty
3.111	O-ring	90009	D38		2
3.112	Seal set for valve T-11A	903160			1
3.113	Seal set for valve T-13A	903159			2
3.114	Seal set for valve T-17A	903161			1
3.115	Seal set for valve T-19A	950031			1
3.2	Adapter	901884	F40XS32 - 1 1/4		2
3.3	Elbow	901882	C40XS32-1 1/4		2
3.4	Hex. socket screw	91100	M16x40-8.8 ISO 4762		4
3.5	Hex. socket screw	901902	M12x45-8.8 ISO 4762		4
3.6	Flange plug	90410	G1		4
3.7	Plate	150515			1
3.8	Lock washer	90597	M16 NORD-LOCK		4
19	Hose assembly (incl. parts 19.1-19.2)	111151			2
19.1	Hose assembly	901885			2
19.2	Adapter	901884	F40XS32 - 1 1/4		4

4. BODY PARTS RB 42 N



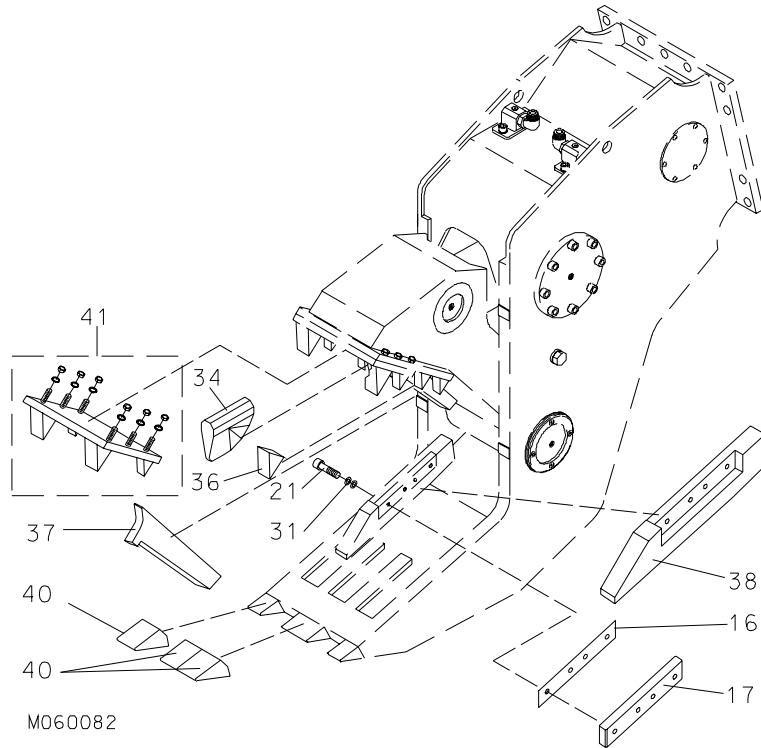
M060062

Item	Description	Part no.	Specification	Note	Qty
4	Bush	140116			1
5	Bush	140115			1
6	Cap	140651			2
7	Shaft	140522			1
8	Spacer plate	140118			2
9	Bush	140121			2
10	Bearing bushing	140468			2
11	Shaft	140464			1
12	Stopper	140265			1
13	Cover	140042			1
14	Cover holder	140044			1
15	Axle nut	140117			1
18	Cover	140027			2
20	Bushing	140523			1
21	Hex. socket screw	901902	M12x45-8.8 DIN 912		2
23	Hex. socket screw	901903	M20x45-8.8 DIN 912		16
24	Hex. socket screw	901287	M20x40-8.8 DIN 7991		1
25	Hex. socket screw	901286	M10x25-8.8 DIN 7991		16
27	Grease nipple	90204	A M10x1		5

BODY PARTS RB 42 N

Item	Description	Part no.	Specification	Note	Qty
30	Plate	140525			1
31	Lock washer	91012	M12 NORD-LOCK		2
32	Hex. screw	901465	M36x40-8.8 DIN 933		1
33	Lifting eye	901464	M36 DIN 580		1
50	Label set	111073			1
60	Hex. screw	90520	M36x140-8.8 DIN 931		14
61	Lock nut	90519	M36-8 DIN 985		14
62	Washer	90521	37 DIN 6916		28

5. WEAR ITEMS RB 42 N



Item	Description	Part no.	Specification	Note	Qty
16	Shim plate	140028			2
17	Cutting blade	140029			2
21	Hex. socket screw	901902	M12x45-8.8 DIN 912		8
31	Lock washer	91012	M12 NORD-LOCK		8
34	Breaker	140025			1
36	Tooth	140377			4
37	Cutting blade seat	111196			1
38	Cutting blade seat	140394			1
40	Tooth	140020			4
41	Crushing plate	111774			1

SANDVIK TAMROCK CORP.
Breakers Lahti
Taivalkatu 8, P.O. Box 165, FIN-15101 Lahti, Finland
Phone Int. +358 205 44 161, Telefax Int. +358 205 44 160,
Internet <http://www.rammer.com>